

COVERSHEET

Planned document changes:


Briefly:


No planned changes.

Document changes:

Date:	Change:	Rev. after change:
2025-02-12	Photos added.	A
2024-10-16	New document.	-

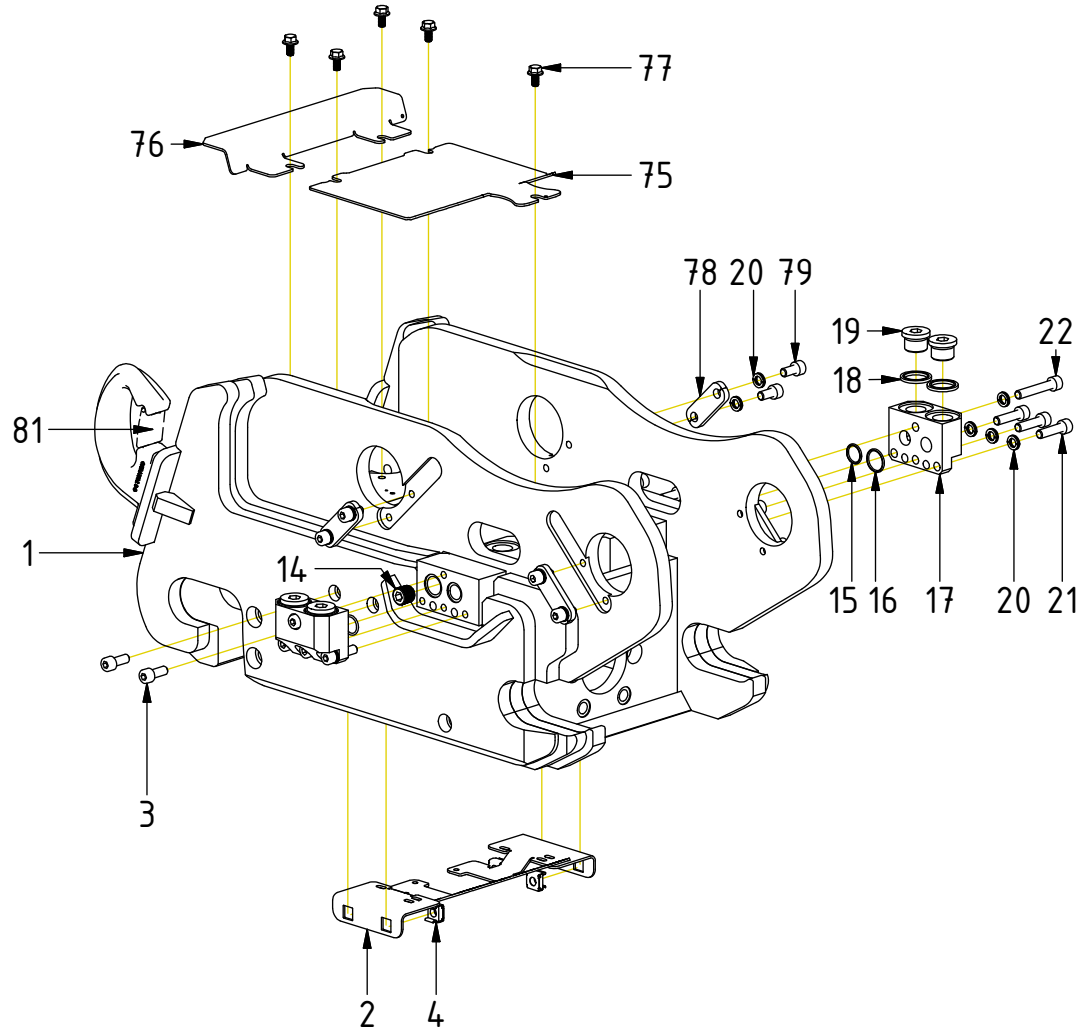
Readers note:

 Indicates instruction.

 Represents Hose.

Dashed lines for overview, mounts
on other pages/assemblies.

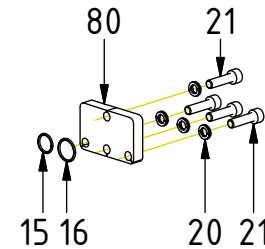
- 5
- 6
- 7
- 8-9
- 10-13



POS	DESCRIPTION	PART	QTY	COMMENTS
1	Quick hitch is selected via engcon			(Machine dependent)
2	Connector plate S45	1074147	1	
3	Screw MC6S M8x20 12.9 ZFSL	6000157	4	
4	Cage Nut, Stainless M8, P= 1,8-3,2	6000400	4	
5	Strain relief plate ZL60	8000703	1	QTY: 2 for DC2, ss9
6	Blind rivet 4,0x12,3 DIN7337	6000294	2	QTY: 6 for DC2, ss9
7	Holder Deutsch coupling	810662	2	For DC2, ss9
8	Screw MC6S 5x10 8.8 FZB	6000312	1	QTY: 2 for ss9
9	Screw K6S 5x10 10.9 FZB	6000408	3	
10	Rubber steel clamp ø6	6000027	2	
11	Rubber steel clamp ø10	6000003	2	QTY: 1 for DC2
12	Rubber steel clamp ø14	613009	2	
13	Rubber steel clamp ø16	6000009	1	
14	Pipe plug 3/8"	711522	2	For EC-Oil 2bl. See position on p.3
15	O-ring 15,6x1,78	7001934	4	
16	O-ring 18,77x1,78	710981	2	
17	Side block S45 hose connection	1074129	2	
18	Washer GBR08 1/2	710704	6	
19	Plug DIN 908 G 0,5 A	7000800	6	
20	Washer NL 8mm	611040	27	
21	Screw MC6S M8x30 12.9 ZFSL	611519	6	QTY: 8 w/o sideblock Torque: 40Nm
22	Screw MC6S M8x45 12.9 ZFSL	6000399	2	Torque: 40Nm
75	Cover plate S45 large	1078384	1	
76	Cover plate S45 small	1078383	1	
77	Screw M6SF 8x12H 8.8	6000120	5	
78	Lock plate for axles	1073400	4	Assemble with slight play
79	Screw MC6S M8x16 12.9 ZFSL	610432	8	
80	Cover plate S45 (without sideblock)	1074128	2	
81	Safety latch	404250	1	Lifting hook spare part

POS in order of assembly

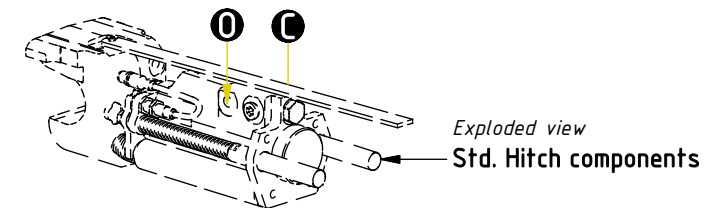
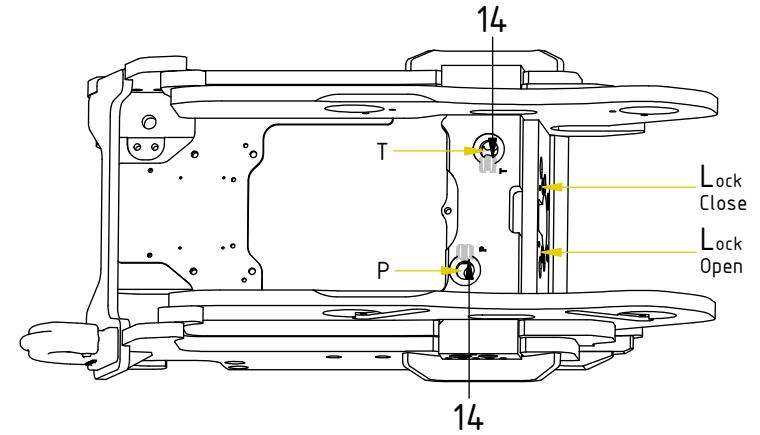
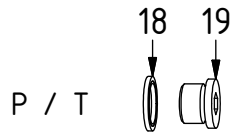
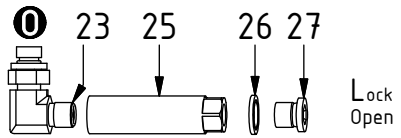
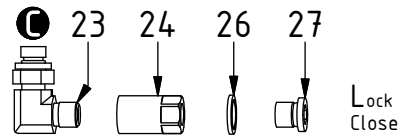
w/o sideblock:

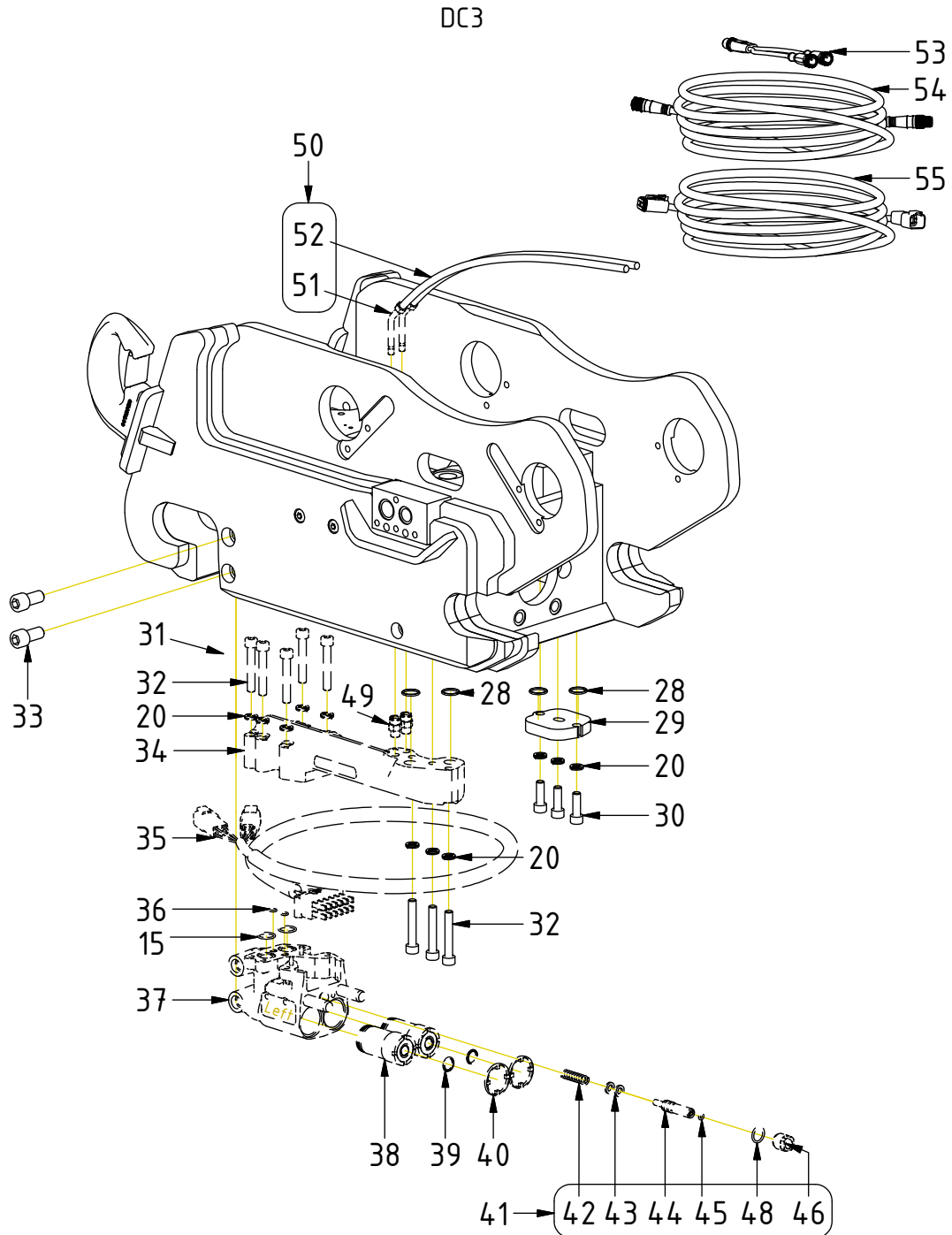


Hydraulics

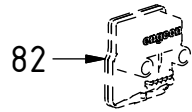
POS	DESCRIPTION	PART	QTY	COMMENTS
14	Pipe plug 3/8"	711522	2	For EC-Oil 2bl.
18	Washer GBR08 1/2	710704	6	
19	Plug DIN 908 G 0,5 A	7000800	6	
23	Adapter 067005-04-04 (1/4")	7000247	2	
24	Lock adapter tube Short	1071217	1	Loxreal 83-52
25	Lock adapter tube Long	1071216	1	Loxreal 83-52
26	Washer GBR04 1/4	710702	2	
27	Plug 153-04 (1/4")	711505	2	

POS in order of assembly

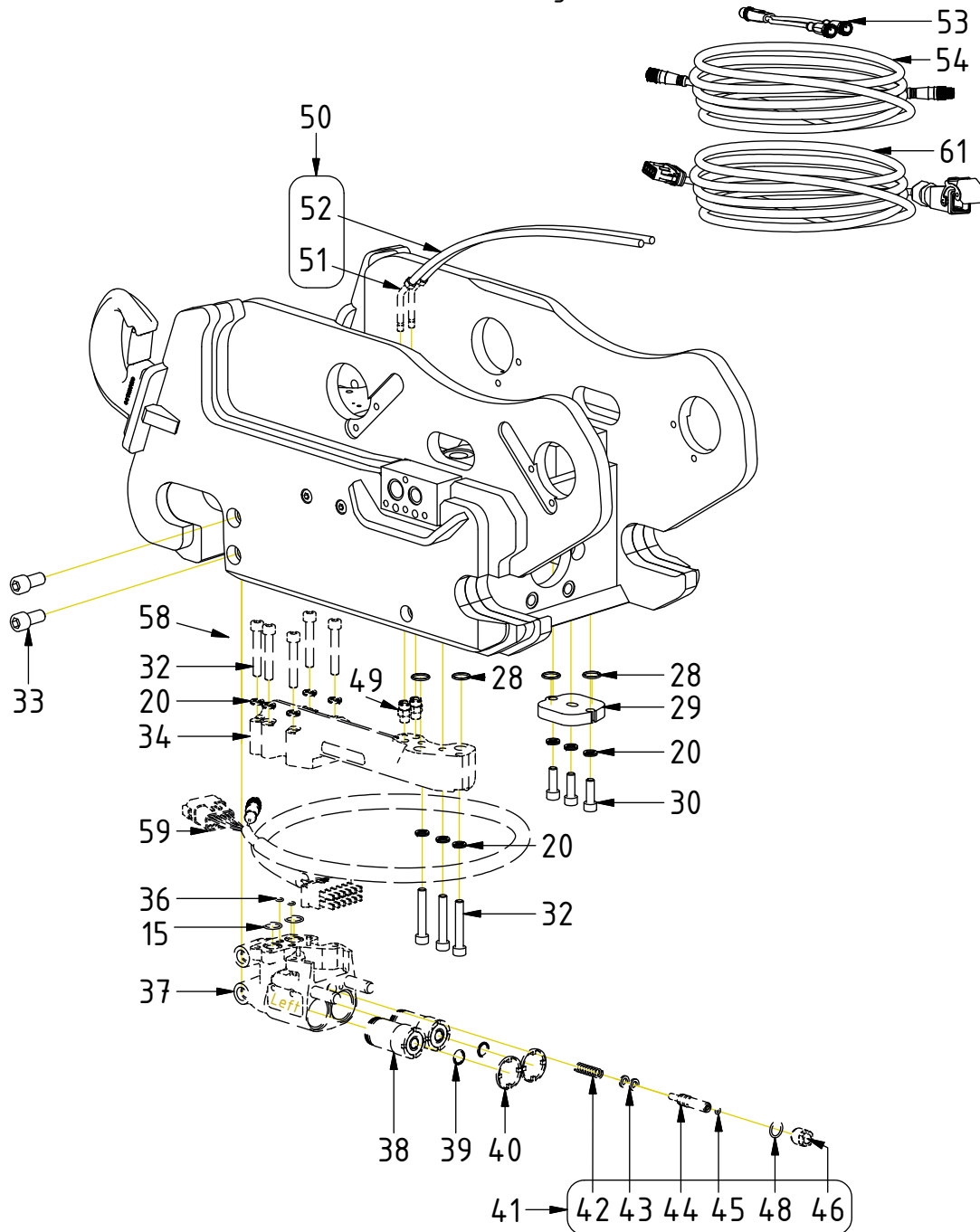




POS	DESCRIPTION	PART	QTY	COMMENTS
15	O-ring 15,6x1,78	7001934	4	
20	Washer NL 8mm	611040	27	
28	O-ring 15,6x1,78	710912	4	
29	Cover plate S45 no bl.	1073648	1	
30	Screw MC6S M8x25 12.9 ZFSL	6000143	3	
31	Connection bl. w. ECO hy.e.l.cl. DC3 Complete	1078881	1	(POS.15, 20, 32, 34-38, 40-41, 49)
32	Screw MC6S M8x50 12.9 ZFSL	611597	8	Torque: 136Nm
33	Screw MC6S M12x25 12.9 ZFSL	6000164	2	
34	Connection block ECO Left	1073644	1	
35	Powerplug ECO W Hitch (4P, 6P) DC3	8002452	1	
36	O-ring 4,48x1,78	7001849	2	
37	Block ECO45 W Hitch S45 Left	1073642	1	
38	Coupling ECO W 3/8" V3	1053029	2	Torque: 60Nm. (POS.39 incl.)
39	Flat sealing for ECO W 3/8" V3	1052976	2	
40	Dirt protection block ECO 3/8"	1028274	2	
41	Lubrication kit ECO W	1050794	1	(POS.42-48 incl.)
42	Spring 6058	1024113	1	
43	Piston sealing KPOR130 12x7,1x2,2	1024112	2	(O-ring incl. with seal ring)
44	Grease piston	1024111	1	
45	O-ring 3,69x1,78	1024115	1	
46	Nut grease piston	1047688	1	Wrap with thread sealing tape
47	O-ring 9,25x1,78	712429	1	Located inside nut
48	O-ring 14x2	7000767	1	
49	Push-in coupling R1/8"	790172	2	
50	Hose kit - lubricant ECO W	7002070	1	(POS.51-52 incl.)
51	Push-In Tube sleeve 45° Push-In	7001980	2	
52	Hose 3m - lubricant ECO	790176	2	
53	Y-split M12-8P->2x M12-4S QSM/S	8002139	1	Attach to QS sensors
54	Cable QS-QLM Machine hitch 4,3m	8002249	1	Attach to Y-split
55	Cable 3m ECO W DC3 (4S, 4P)	8002297	1	Attach to 4P
82	Transport Protection ECO-Block	1047812	1	Part of make up

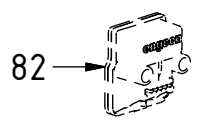


DC2 Std. config.



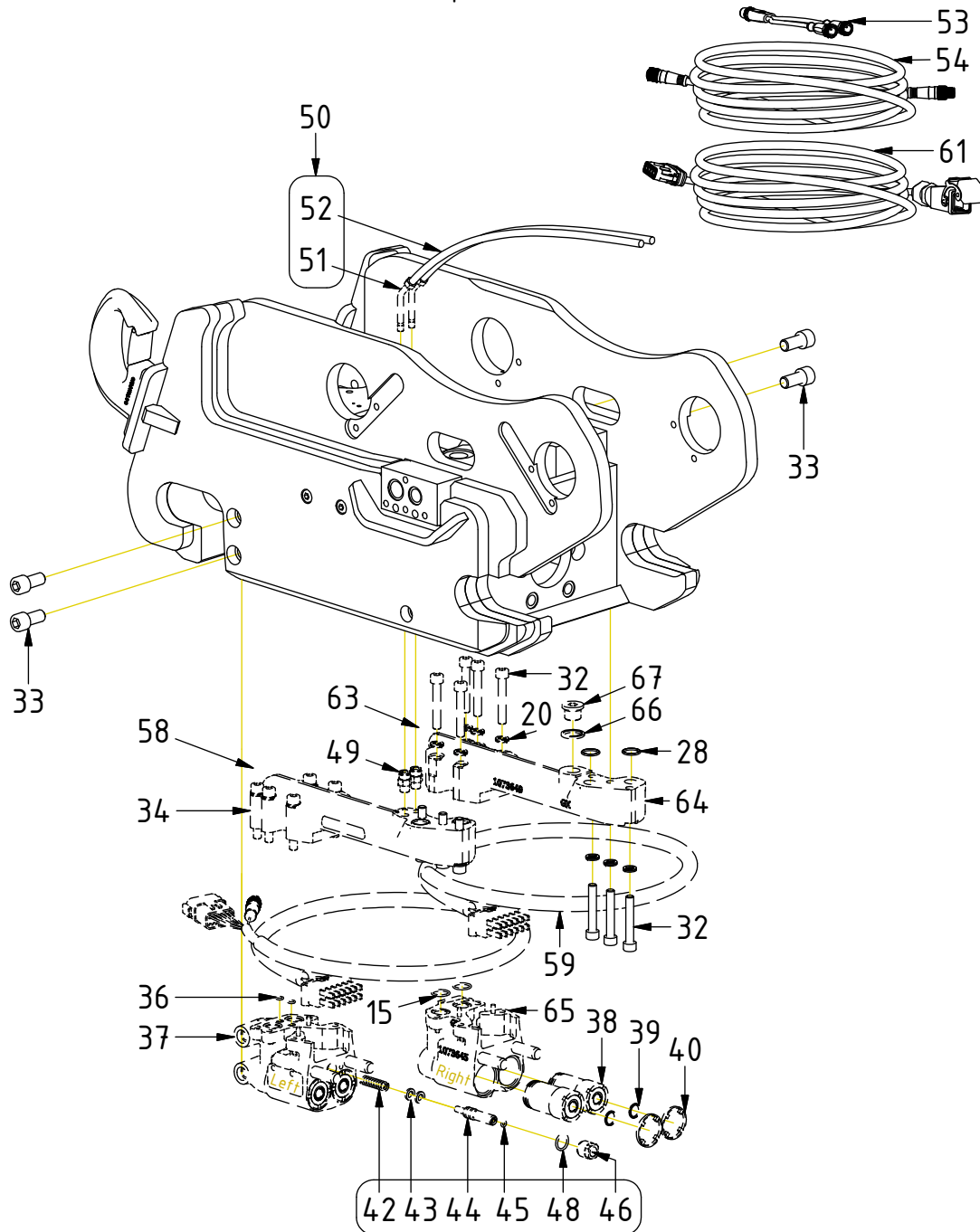
POS	DESCRIPTION	PART	QTY	COMMENTS
15	O-ring 15,6x1,78	7001934	4	
20	Washer NL 8mm	611040	27	
28	O-ring 15,6x1,78	710912	4	
29	Cover plate S45 no bl.	1073648	1	
30	Screw MC6S M8x25 12.9 ZFSHL	6000143	3	
32	Screw MC6S M8x50 12.9 ZFSHL	611597	8	Torque: 136Nm
33	Screw MC6S M12x25 12.9 ZFSHL	6000164	2	
34	Connection block ECO Left	1073644	1	
36	O-ring 4,48x1,78	7001849	2	
37	Block ECO45 W Hitch S45 Left	1073642	1	
38	Coupling ECO W 3/8" V3	1053029	2	Torque: 60Nm. (POS.39 incl.)
39	Flat sealing for ECO W 3/8" V3	1052976	2	
40	Dirt protection block ECO 3/8"	1028274	2	
41	Lubrication kit ECO W	1050794	1	(POS.42-48 incl.)
42	Spring 6058	1024113	1	
43	Piston sealing KPOR130 12x7,1x2,2	1024112	2	(O-ring incl. with seal ring)
44	Grease piston	1024111	1	
45	O-ring 3,69x1,78	1024115	1	
46	Nut grease piston	1047688	1	Wrap with thread sealing tape
47	O-ring 9,25x1,78	712429	1	Located inside nut
48	O-ring 14x2	7000767	1	
49	Push-in coupling R1/8"	790172	2	
50	Hose kit - lubricant ECO W	7002070	1	(POS.51-52 incl.)
51	Push-In Tube sleeve 45° Push-In	7001980	2	
52	Hose 3m - lubricant ECO	790176	2	
53	Y-split M12-8P->2x M12-4S QSM/S	8002139	1	Attach to QS sensors
54	Cable QS-QLM Machine hitch 4,3m	8002249	1	Attach to Y-split
58	Connect.bl. w ECO hy.el.ct. DC2 Comp.	1078272	1	(POS.15,20,32,34, 36-38,40-41, 49,59)
59	Power plug ECO W Hitch (12P, M12)	8002375	1	Cable gland torque: 6Nm
61	Machine cable ECO45 W DC2	1048527	1	Attach to 12P
82	Transport Protection ECO-Block	1047812	1	Part of make up

POS in order of assembly

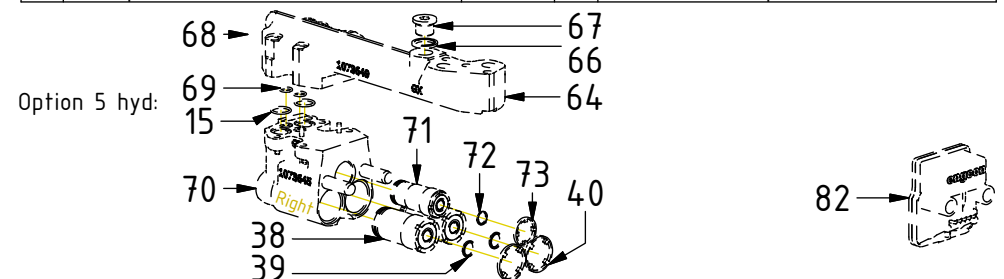


Machine hitch - S45

DC2 Option 2bl.

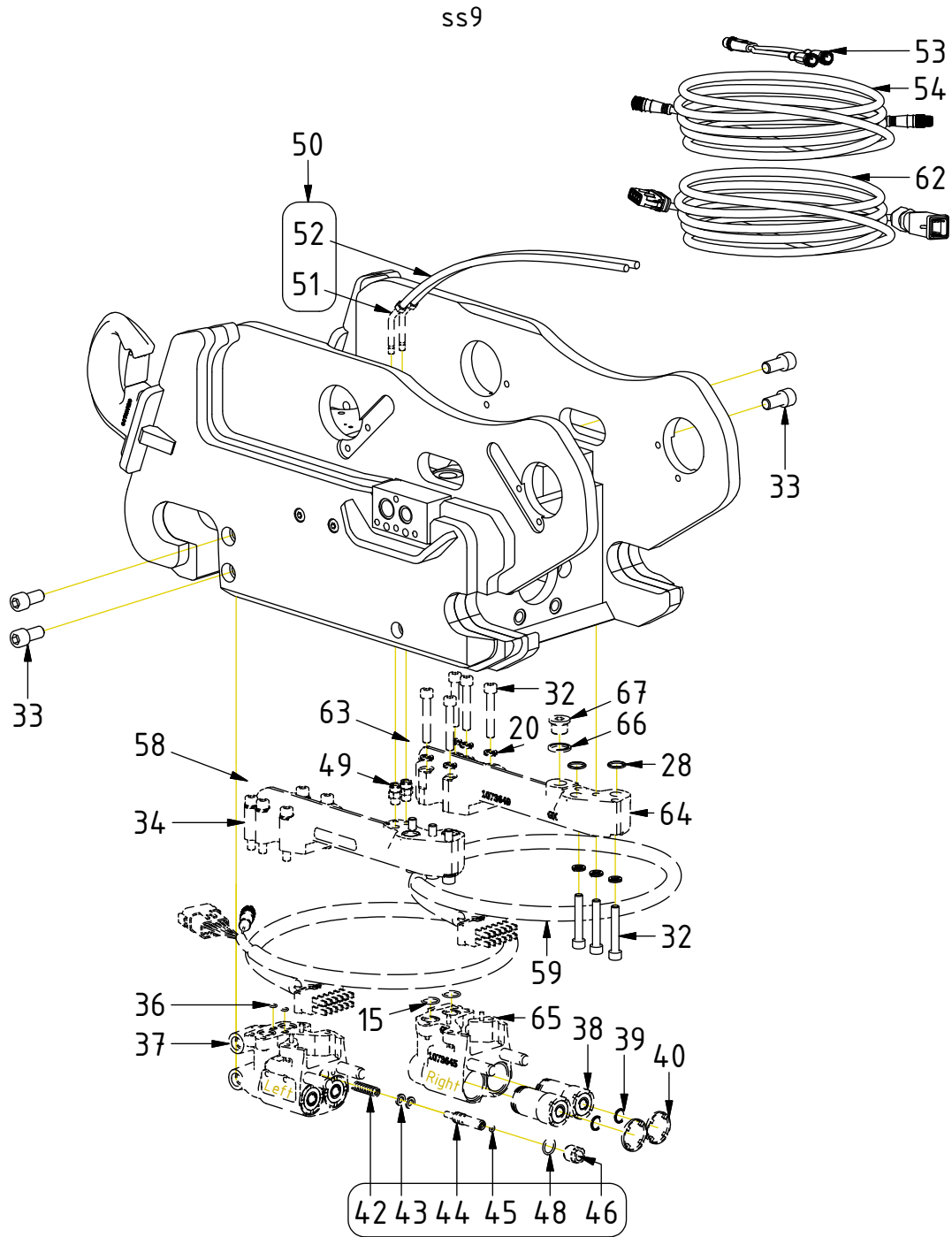


POS	DESCRIPTION	PART	QTY	COMMENTS
15	O-ring 15,6x1,78	7001934	4	
20	Washer NL 8mm	611040	27	
28	O-ring 15,6x1,78	710912	4	
32	Screw MC6S M8x50 12.9 ZFSHL	611597	8	Torque: 136Nm
33	Screw MC6S M12x25 12.9 ZFSHL	6000164	2	
34	Connection block ECO Left	1073644	1	
36	O-ring 4,48x1,78	7001849	2	
37	Block ECO45 W Hitch S45 Left	1073642	1	
38	Coupling ECO W 3/8" V3	1053029	2	Torque: 60Nm. (POS.39 incl.)
39	Flat sealing for ECO W 3/8" V3	1052976	2	
40	Dirt protection block ECO 3/8"	1028274	2	
41	Lubrication kit ECO W	1050794	1	(POS.42-48 incl.)
42	Spring 6058	1024113	1	
43	Piston sealing KPOR130 12x7,1x2,2	1024112	2	(O-ring incl. with seal ring)
44	Grease piston	1024111	1	
45	O-ring 3,69x1,78	1024115	1	
46	Nut grease piston	1047688	1	Wrap with thread sealing tape
47	O-ring 9,25x1,78	712429	1	Located inside nut
48	O-ring 14x2	7000767	1	
49	Push-in coupling R1/8"	790172	2	
50	Hose kit - lubricant ECO W	7002070	1	(POS.51-52 incl.)
51	Push-In Tube sleeve 45° Push-In	7001980	2	
52	Hose 3m - lubricant ECO	790176	2	
53	Y-split M12-8P->2x M12-4S QSM/S	8002139	1	Attach to QS sensors
54	Cable QS-QLM Machine hitch 4,3m	8002249	1	Attach to Y-split
58	Connect.bl. w ECO hy.el.cl. DC2 Compl.	1078272	1	(POS.15,20,32,34, 36-38,40-41, 49,59)
59	Power plug ECO W Hitch (12P, M12)	8002375	1	Cable gland torque: 6Nm
61	Machine cable ECO45 W DC2	1048527	1	Attach to Left 12P
63	Connection bl. w. ECO hy.el. Compl.	1078359	1	(POS.15,20,32,38,40,59,64-65 incl.)
64	Connection block ECO Right	1073650	1	
65	Block ECO60 W Hitch S70 Right	1074334	1	
66	Washer GBR06 3/8	710703	1	
67	Plug DIN 908 G 0,375 A		1	
68	Connection bl. w. ECO 3hy. Compl.	1078279	1	(POS.15,20,32,38,40,64,69-71,73 incl.)
69	O-ring 8,73x1,78	710959	2	
70	Block ECO45 W Hitch S45 Right 5hy.	1073646	1	
71	Coupling ECO 1/4" V3	1053683	1	Torque: 60Nm. (POS.72 incl.)
72	Flat sealing for ECO 1/4" V3	1053936	1	
73	Dirt protection block ECO 1/4"	1054419	1	
82	Transport Protection ECO-Block	1047812	1	Part of make up

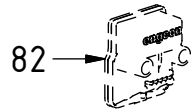
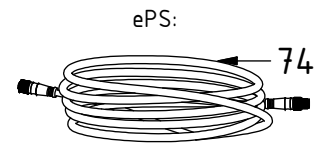


Machine hitch - S45

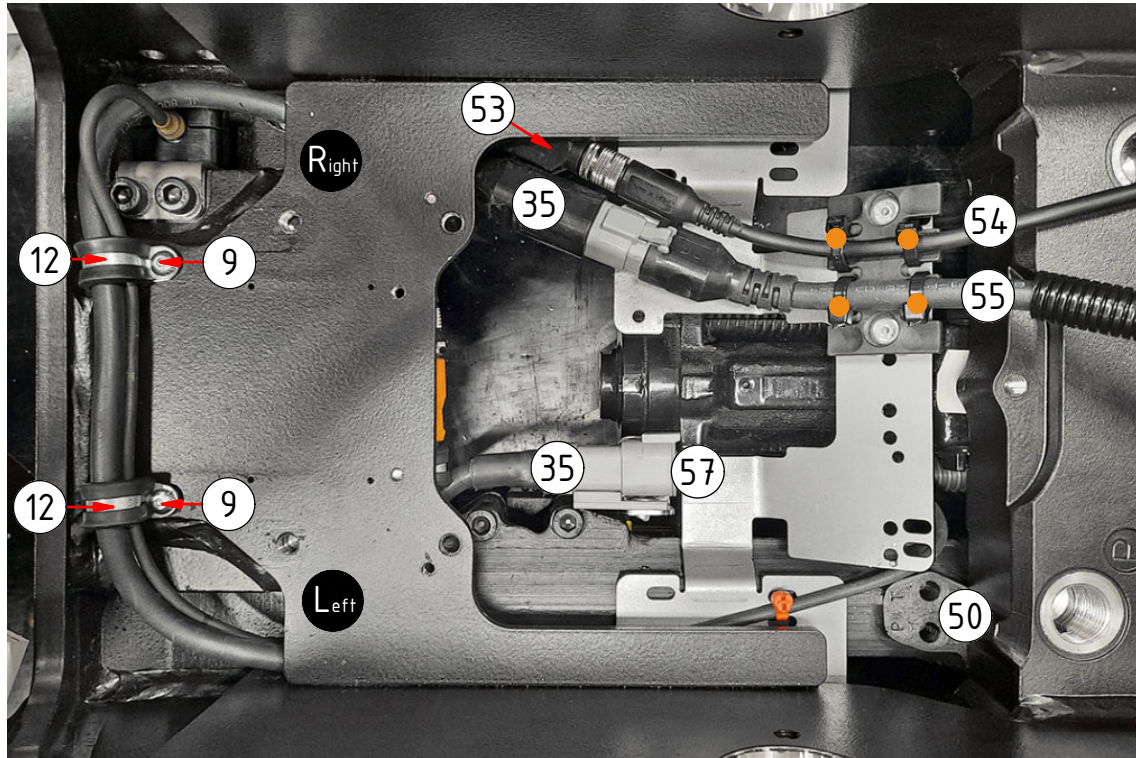
POS in order of assembly



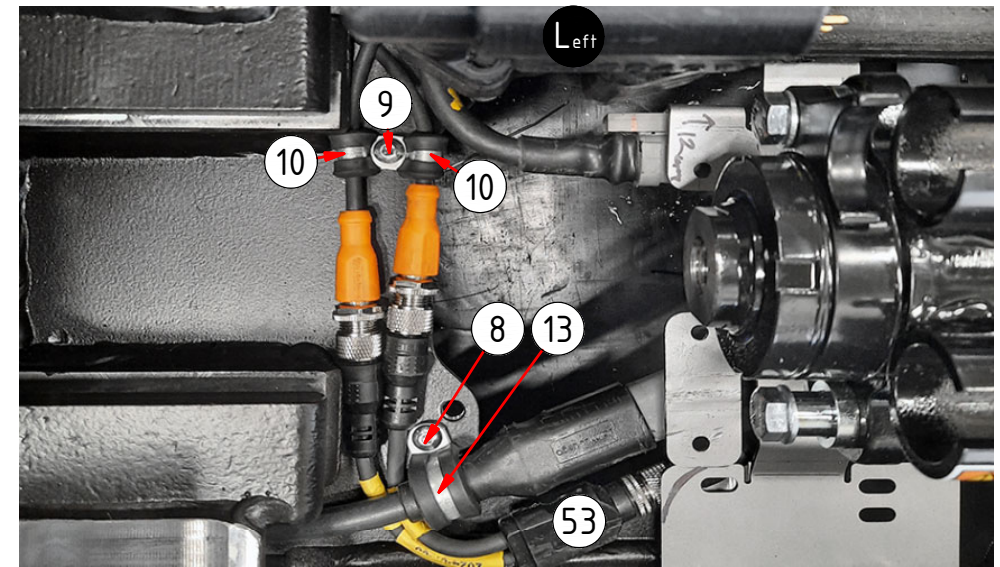
POS	DESCRIPTION	PART	QTY	COMMENTS
15	O-ring 15,6x1,78	7001934	4	
20	Washer NL 8mm	611040	27	
28	O-ring 15,6x1,78	710912	4	
32	Screw MC6S M8x50 12.9 ZFSHL	611597	8	Torque: 136Nm
33	Screw MC6S M12x25 12.9 ZFSHL	6000164	2	
34	Connection block ECO Left	1073644	1	
36	O-ring 4,48x1,78	7001849	2	
37	Block ECO45 W Hitch S45 Left	1073642	1	
38	Coupling ECO W 3/8" V3	1053029	2	Torque: 60Nm. (POS.39 incl.)
39	Flat sealing for ECO W 3/8" V3	1052976	2	
40	Dirt protection block ECO 3/8"	1028274	2	
41	Lubrication kit ECO W	1050794	1	(POS.42-48 incl.)
42	Spring 6058	1024113	1	
43	Piston sealing KPOR130 12x7,1x2,2	1024112	2	(O-ring incl. with seal ring)
44	Grease piston	1024111	1	
45	O-ring 3,69x1,78	1024115	1	
46	Nut grease piston	1047688	1	Wrap with thread sealing tape
47	O-ring 9,25x1,78	712429	1	Located inside nut
48	O-ring 14x2	7000767	1	
49	Push-in coupling R1/8"	790172	2	
50	Hose kit - lubricant ECO W	7002070	1	(POS.51-52 incl.)
51	Push-In Tube sleeve 45° Push-In	7001980	2	
52	Hose 3m - lubricant ECO	790176	2	
53	Y-split M12-8P->2x M12-4S QSM/S	8002139	1	Attach to QS sensors
54	Cable QS-QLM Machine hitch 4,3m	8002249	1	Attach to Y-split
58	Connect.bl. w ECO hy.el.cl. DC2 Comp.	1078272	1	(POS.15,20,32,34, 36-38,40-41, 49,59)
59	Power plug ECO W Hitch (12P, M12)	8002375	1	Cable gland torque: 6Nm
62	Machinecable ECO W ss9-2 (1x 12P)	1036844	1	Attach to Left 12P
63	Connection bl. w. ECO hy.el. Compl.	1078359	1	(POS.15,20,32,38,40,59,64-65 incl.)
64	Connection block ECO Right	1073650	1	
65	Block ECO60 W Hitch S70 Right	1074334	1	
66	Washer GBR06 3/8	710703	1	
67	Plug DIN 908 G 0,375 A		1	
74	Cable ePS ECO W ss9	8002458	1	
82	Transport Protection ECO-Block	1047812	1	Part of make up



DC3



POS	DESCRIPTION	PART	QTY	COMMENTS
8	Screw MC6S 5x10 8.8 FZB	6000312	1	QTY: 2 for ss9
9	Screw K6S 5x10 10.9 FZB	6000408	3	
10	Rubber steel clamp ø6	6000027	2	
12	Rubber steel clamp ø14	613009	2	
13	Rubber steel clamp ø16	6000009	1	
35	Powerplug ECO W Hitch (4P, 6P) DC3	8002452	1	
50	Hose kit - lubricant ECO W	7002070	1	(POS.51-52 incl.)
53	Y-split M12-8P->2x M12-4S QSM/S	8002139	1	Attach to QS sensors
54	Cable QS-QLM Machine hitch 4,3m	8002249	1	Attach to Y-split
55	Cable 3m ECO W DC3 (4S, 4P)	8002297	1	Attach to 4P
56	Dust protection for 4P	8002372	1	
57	Plug for 6P	8000620	1	
● Use cable ties				



POS in order of assembly

DC2 Std. config.

POS	DESCRIPTION	PART	QTY	COMMENTS
8	Screw MC6S 5x10 8.8 FZB	6000312	1	QTY: 2 for ss9
11	Rubber steel clamp ø10	6000003	2	QTY: 1 for DC2
50	Hose kit - lubricant ECO W	7002070	1	(POS.51-52 incl.)
53	Y-split M12-8P->2x M12-4S QSM/S	8002139	1	Attach to QS sensors
54	Cable QS-QLM Machine hitch 4,3m	8002249	1	Attach to Y-split
59	Power plug ECO W Hitch (12P, M12)	8002375	1	Cable gland torque: 6Nm
61	Machine cable ECO45 W DC2	1048527	1	Attach to 12P
●	Use cable ties			

POS in order of assembly



DC2 Option 2bl.

POS	DESCRIPTION	PART	QTY	COMMENTS
8	Screw MC6S 5x10 8.8 FZB	6000312	1	QTY: 2 for ss9
11	Rubber steel clamp ø10	6000003	2	QTY: 1 for DC2
50	Hose kit - lubricant ECO W	7002070	1	(POS.51-52 incl.)
53	Y-split M12-8P->2x M12-4S QSM/S	8002139	1	Attach to QS sensors
54	Cable QS-QLM Machine hitch 4,3m	8002249	1	Attach to Y-split
59	Power plug ECO W Hitch (12P, M12)	8002375	1	Cable gland torque: 6Nm
60	Plug for 12P	8002058	1	
61	Machine cable ECO45 W DC2	1048527	1	Attach to Left 12P
●	Use cable ties			

POS in order of assembly

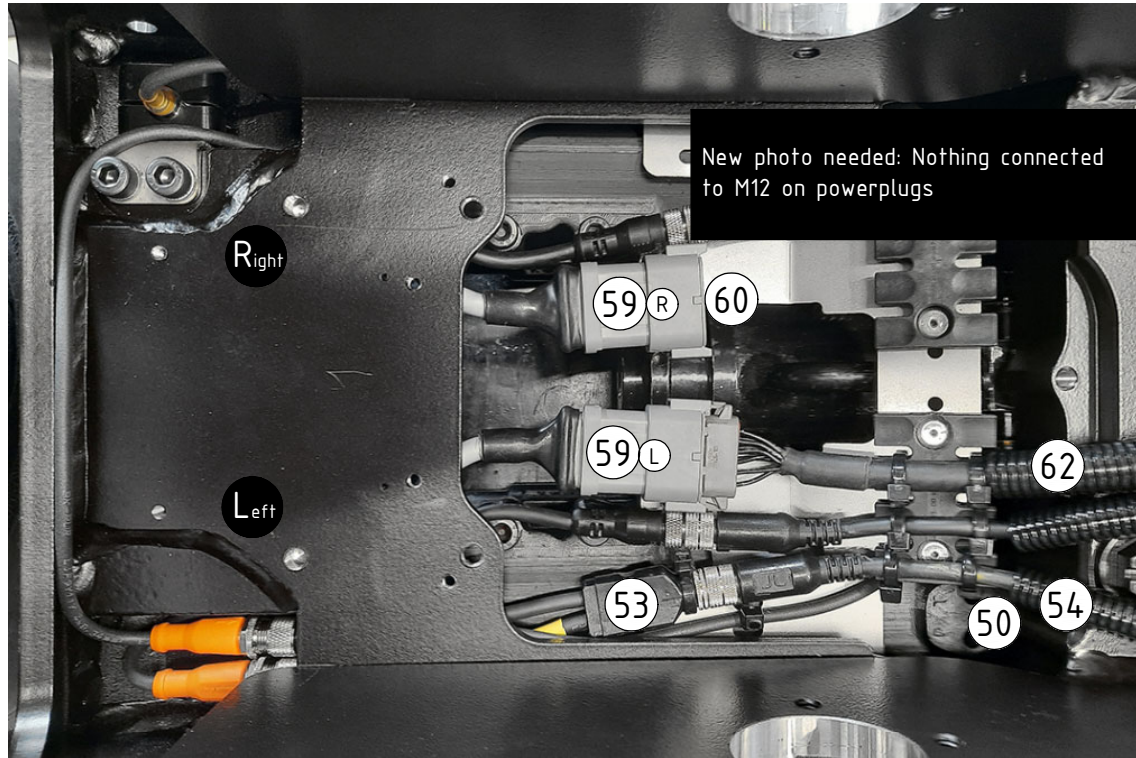
Photo needed: DC2 2bl. seen from above

Photo needed: DC2 2bl. seen from beneath

Option 5 hyd:

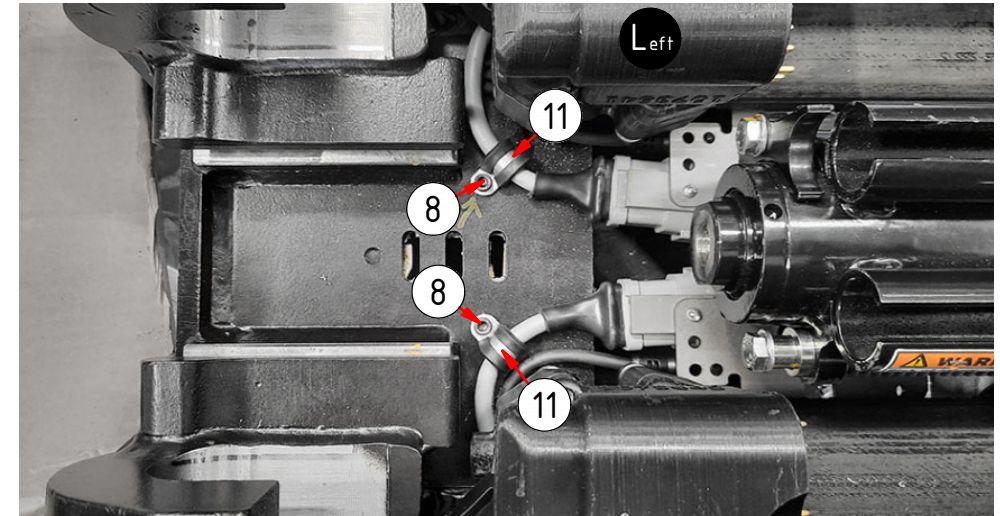
Photo needed: DC2 2bl. seen from above

ss9



POS	DESCRIPTION	PART	QTY	COMMENTS
8	Screw MC6S 5x10 8.8 FZB	6000312	1	QTY: 2 for ss9
11	Rubber steel clamp ø10	6000003	2	QTY: 1 for DC2
50	Hose kit - lubricant ECO W	7002070	1	(POS.51-52 incl.)
53	Y-split M12-8P->2x M12-4S QSM/S	8002139	1	Attach to QS sensors
54	Cable QS-QLM Machine hitch 4,3m	8002249	1	Attach to Y-split
59	Power plug ECO W Hitch (12P, M12)	8002375	1	Cable gland torque: 6Nm
60	Plug for 12P	8002058	1	
62	Machinecable ECO W ss9-2 (1x 12P)	1036844	1	Attach to Left 12P
74	Cable ePS ECO W ss9	8002458	1	
●	Use cable ties			

POS in order of assembly

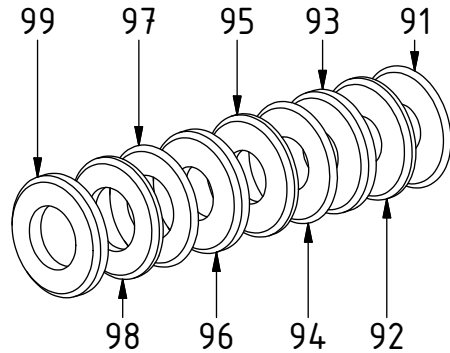
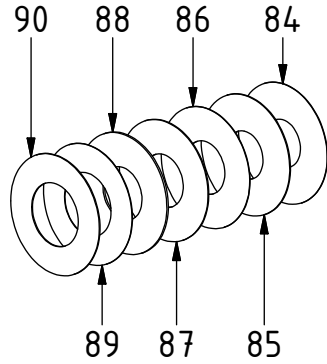


ePS:

Photo needed: ss9 seen from above

SPARE PARTS

SHIMS:



POS	DESCRIPTION	PART	QTY	COMMENTS
84	Shim Ø116/46x0,5	1073444	1	
85	Shim Ø116/46x1	1073445	1	
86	Shim Ø116/51x0,5	1073447	1	
87	Shim Ø116/51x1	1073448	1	
88	Shim Ø116/51x2	1073449	1	
89	Shim Ø116/61x0,5	1074251	1	
90	Shim Ø116/61x1	1074252	1	
91	Shim Ø116/46x5	1073452	1	
92	Shim Ø116/46x10	1073453	1	
93	Shim Ø116/46x15	1073455	1	
94	Shim Ø116/51x5	1073456	1	
95	Shim Ø116/51x10	1073457	1	
96	Shim Ø116/51x15	1073458	1	
97	Shim Ø116/61x5	1074249	1	
98	Shim Ø116/61x10	1074250	1	
99	Shim Ø116/61x15	1079271	1	

POS in order of assembly