

COVERSHEET



Planned document changes:

Briefly:

No planned changes.

Document changes:

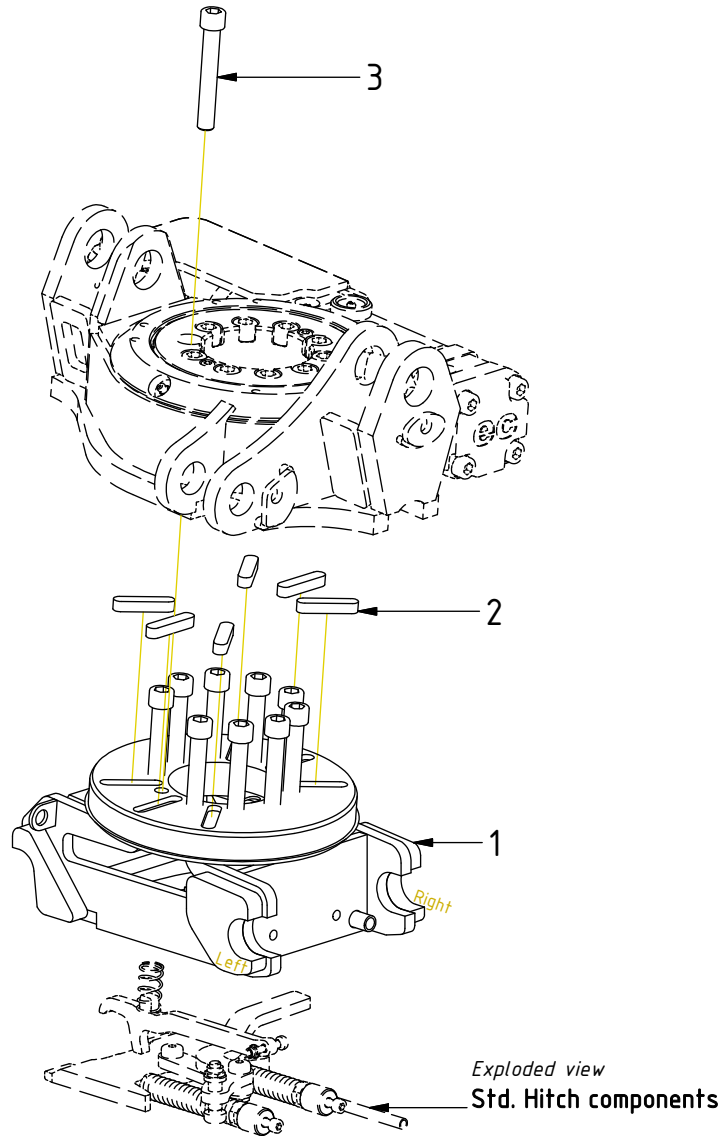
Date:	Change:	Rev. after change:
2024-11-12	Layout/irrelevant.	A
2024-09-25	New document.	-

Readers note: Indicates instruction. Represents Hose.

Dashed lines for overview, mounts
on other pages/assemblies.

POS	DESCRIPTION	PART	QTY	COMMENTS
1	Quick hitch S30SEMI EC02U/EC02BU	102718	1	
2	Feather Key	650101	6	
3	Screw MC6S M12x80 12.9 ZFSLH	6000148	10	Torque: 136Nm

POS in order of assembly



POS	DESCRIPTION	PART	QTY	COMMENTS
-----	-------------	------	-----	----------

POS in order of assembly

