

COVERSHEET

Planned document changes:

Briefly:

No planned changes.

Document changes:

Date:

Change:

Rev.

after change:

2024-09-04 New document.

-

Readers note:



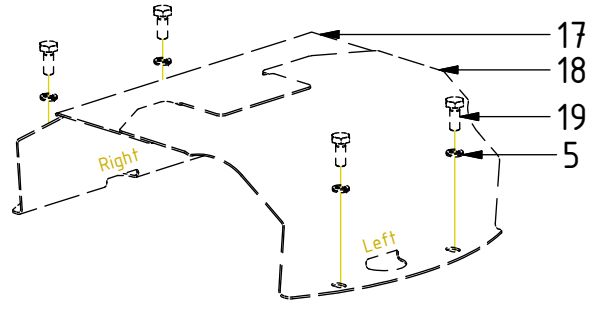
Indicates instruction.



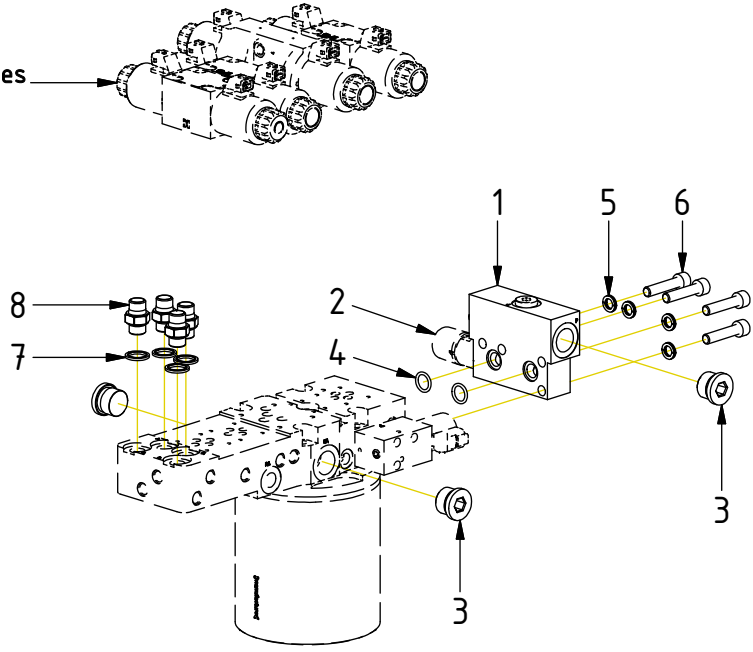
Represents Hose.

Dashed lines for overview, mounts
on other pages/assemblies.

POS	DESCRIPTION	PART	QTY	COMMENTS
1	Connection block P reducer Compl.	1027363	1	(POS.2-3 incl.)
2	Pressure reduction valve VRN2-10	730326	1	
3	Plug 3/4"	711532	3	Torque: 120Nm
4	O-ring 15,54x2,62	712423	2	
5	Washer NL 10mm	611041	8	QTY: 4 part of make up
6	Screw MC6S M10x45 12.9	610589	4	
7	Washer GBR06 3/8	710703	4	
8	Adapter 136-06-06 (3/8")	710106	4	
17	Protective cover EC233 Right	1040946	1	Part of make up
18	Protective cover EC233 Left	1040947	1	Part of make up
19	Screw M6S M10x25 8,8 FZB	610142	4	Part of make up



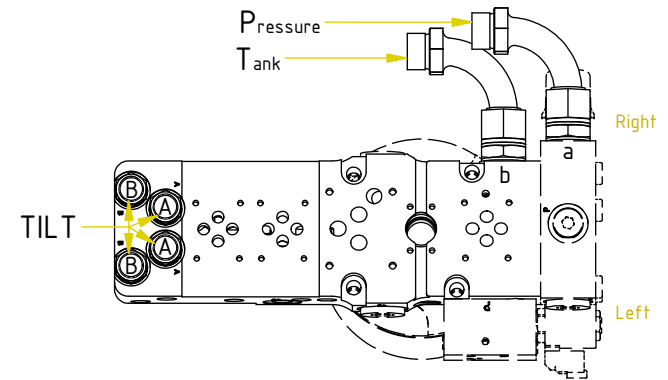
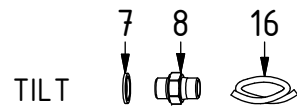
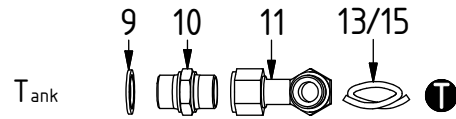
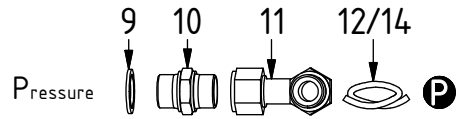
Exploded view
Std. Valves & cables



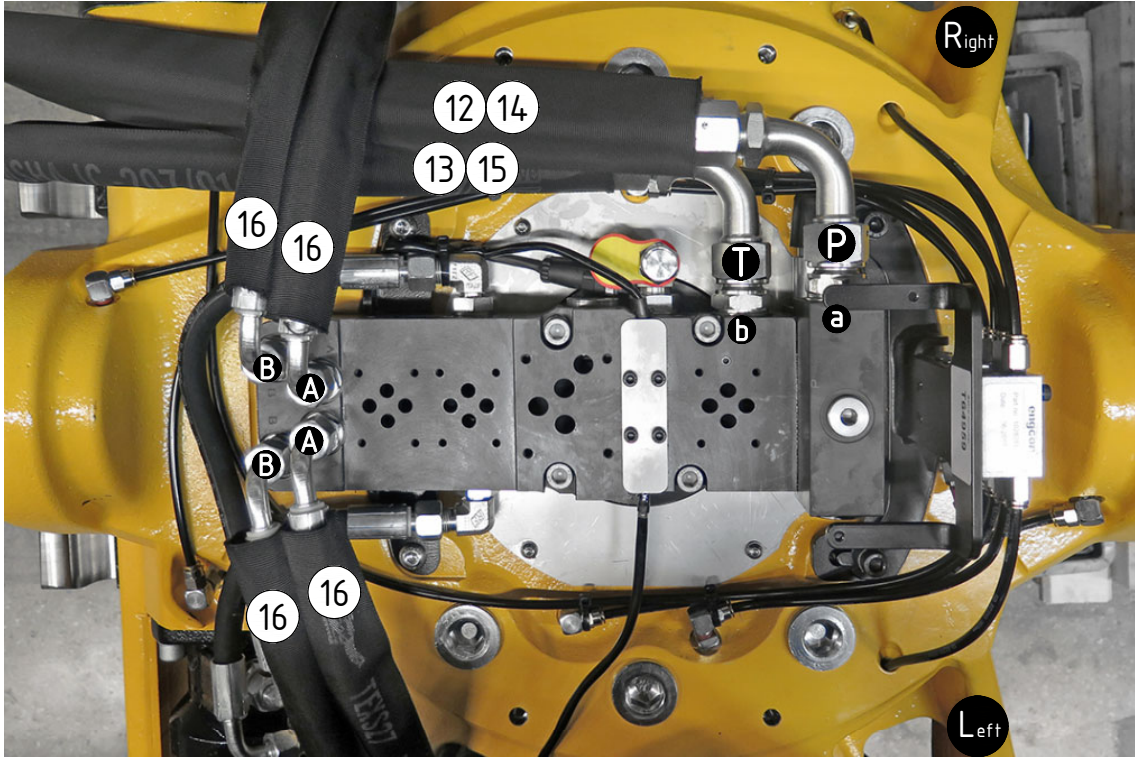
Hoses EC-Oil

POS	DESCRIPTION	PART	QTY	COMMENTS
7	Washer GBR06 3/8	710703	4	
8	Adapter 136-06-06 (3/8")	710106	4	
9	Washer GBR12 3/4	710706	2	
10	Adapter 136-12-12 (3/4")	710126	2	
11	Adapter 488-12-12 90° (3/4")	7000059	2	
12	Hose Feed P EC-Oil - QS80	7000671	1	
13	Hose Feed T EC-Oil - QS80	7000669	1	
14	Hose Feed P EC-Oil - QS70	7000669	1	
15	Hose Feed T EC-Oil - QS70	7000670	1	
16	Hose Tilt	7000452	4	

POS in order of assembly



Hoses
EC-Oil



POS	DESCRIPTION	PART	QTY	COMMENTS
12	Hose Feed P EC-Oil - QS80	7000671	1	
13	Hose Feed T EC-Oil - QS80	7000669	1	
14	Hose Feed P EC-Oil - QS70	7000669	1	
15	Hose Feed T EC-Oil - QS70	7000670	1	
16	Hose Tilt	7000452	4	

POS in order of assembly