

COVERSHEET

Planned document changes:


Briefly:

No planned changes.

Document changes:

Date:	Change:	Rev. after change:
2024-12-20	New document.	-

Readers note:

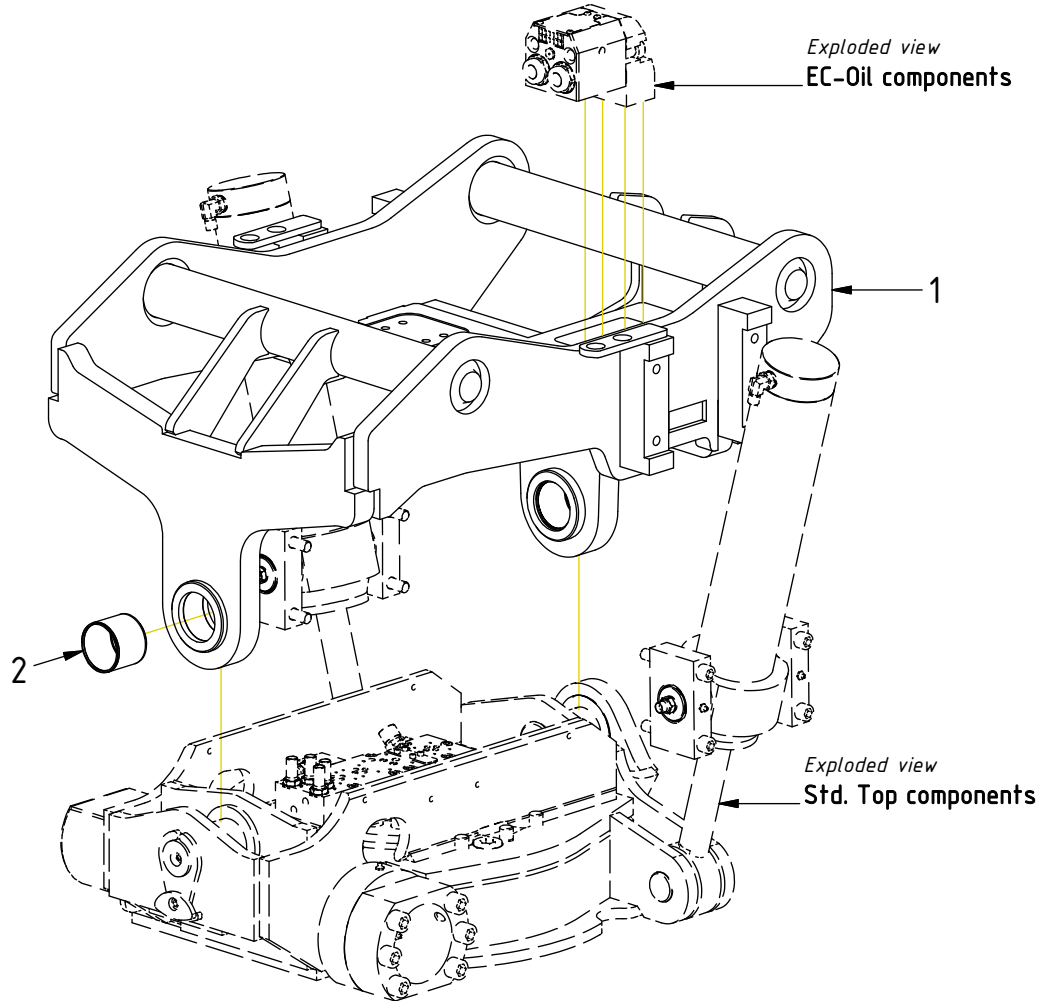
 Indicates instruction.

 Represents Hose.

Dashed lines for overview, mounts
on other pages/assemblies.

POS	DESCRIPTION	PART	QTY	COMMENTS
1	Top part QS80 EC30	1035314	1	
2	Bushing WB802 70/75x60	630302	2	

POS in order of assembly



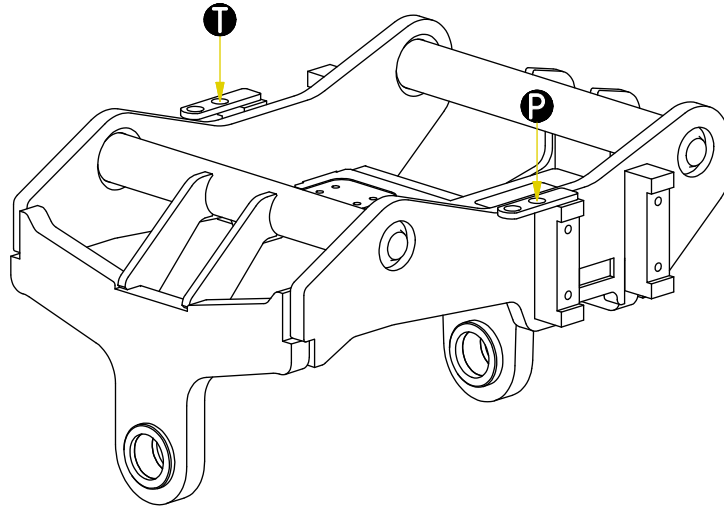
T ← 4-6

P ← 4-6

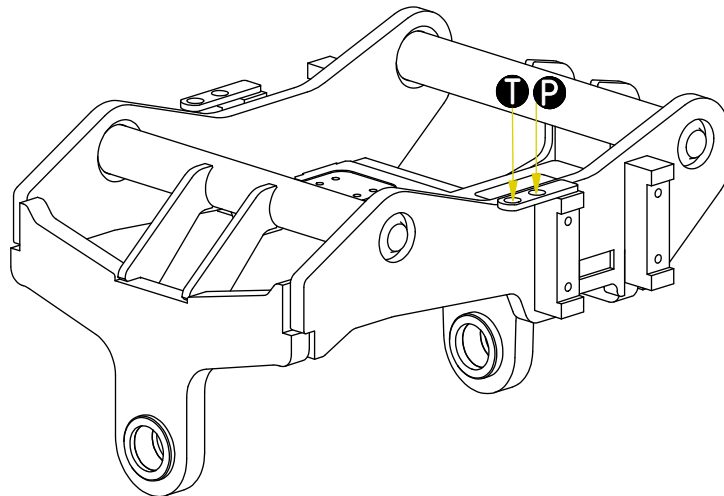
FEED

Main Feed

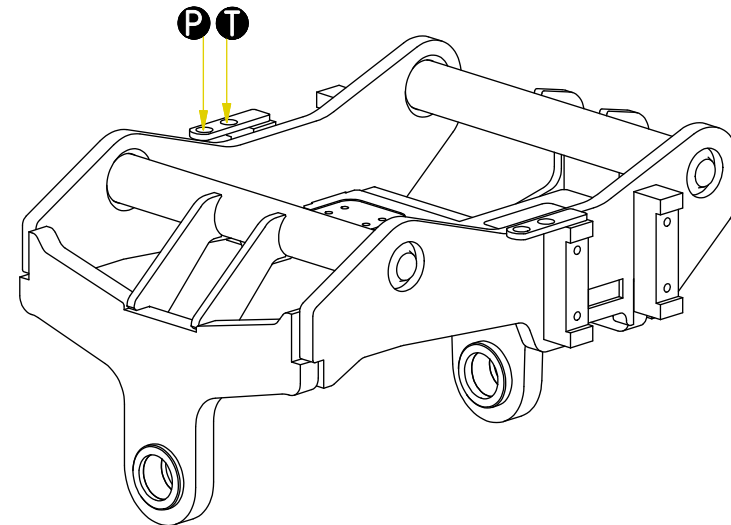
POS	DESCRIPTION	PART	QTY	COMMENTS
3	For Feed Hoses			See "Control system"
4	Adapter 1260-12-12 (3/4")	712210	2	
5	Washer NL 1"	611095	2	
6	Counternut 1270-12 (3/4")	712211	2	



Feed Left



Feed Right



T ← 7
P ← 7

FEED

ECO70 W

POS	DESCRIPTION	PART	QTY	COMMENTS
3	For Feed Hoses			See "Control system"
7	Adapter 4-01-12-12 90° (3/4")	712201	2	

POS in order of assembly

DC2

2 hyd.

