

## COVERSHEET

### Planned document changes:

**Briefly:**

No planned changes.

### Document changes:

**Date:**

**Change:**

**Rev.**

**after change:**

2024-11-18

New document.

-

*Readers note:*



Indicates instruction.



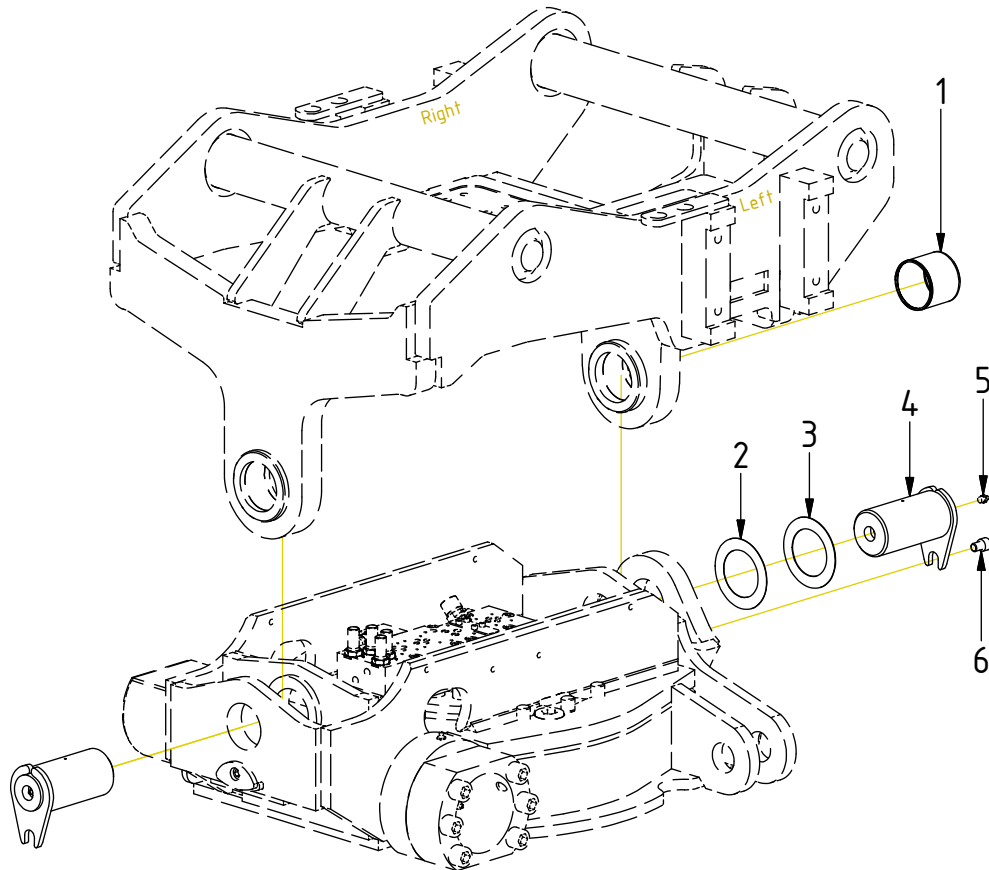
Represents Hose.

Dashed lines for overview, mounts  
on other pages/assemblies.

# EC30 ECHF - Std. Top components

POS	DESCRIPTION	PART	QTY	COMMENTS
1	Bushing WB802 70/75x60	630302	1	
2	Shims tilt axle 0,5mm	650503	1	Use as required
3	Shims tilt axle 1mm	650504	1	Use as required
4	Tilt axle EC30	303134	2	
5	Grease Nipple	711403	7	
6	Screw MC6S M12x16 12.9 ZFSHL	610470	3	Loxéal

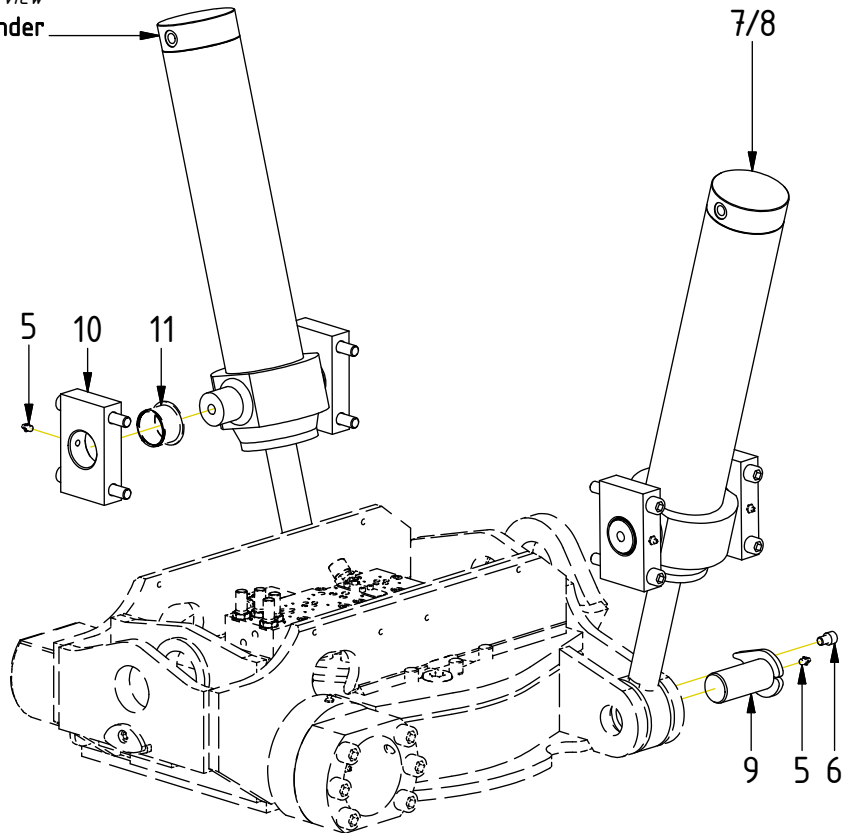
POS in order of assembly



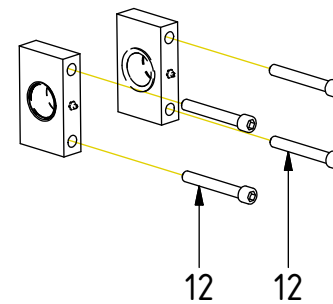
# EC30 ECHF - Std. Top components

POS	DESCRIPTION	PART	QTY	COMMENTS
5	Grease Nipple	711403	7	
6	Screw MC6S M12x16 12.9 ZFSL	610470	3	Loxéal
7	Tilt cylinder EC30	301630	2	
8	Tilt cylinder EC30 for overcenter	1014265	2	
9	Cylinder axle EC30	302854	2	
10	Yoke EC30 complete	300288K	4	(POS.5, 11 incl.)
11	Bushing 50/55/65x37,5	630403	4	
12	Screw MC6S M16x120 12.9 ZFSL	6000162	8	QTY: 4 for ss9 Torque: 333Nm
13	Spacer 39mm	1005911	4	
14	Hose terminal 6-hoses Left	1005725	1	
15	Hose terminal 6-hoses Right	1005726	1	
16	Screw MC6S M16x140 12.9 ZFSL	6000152	4	Torque: 333Nm

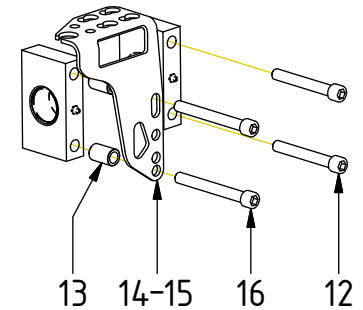
Exploded view  
Tilt cylinder



ss10 (DC2/SVAB)



ss9



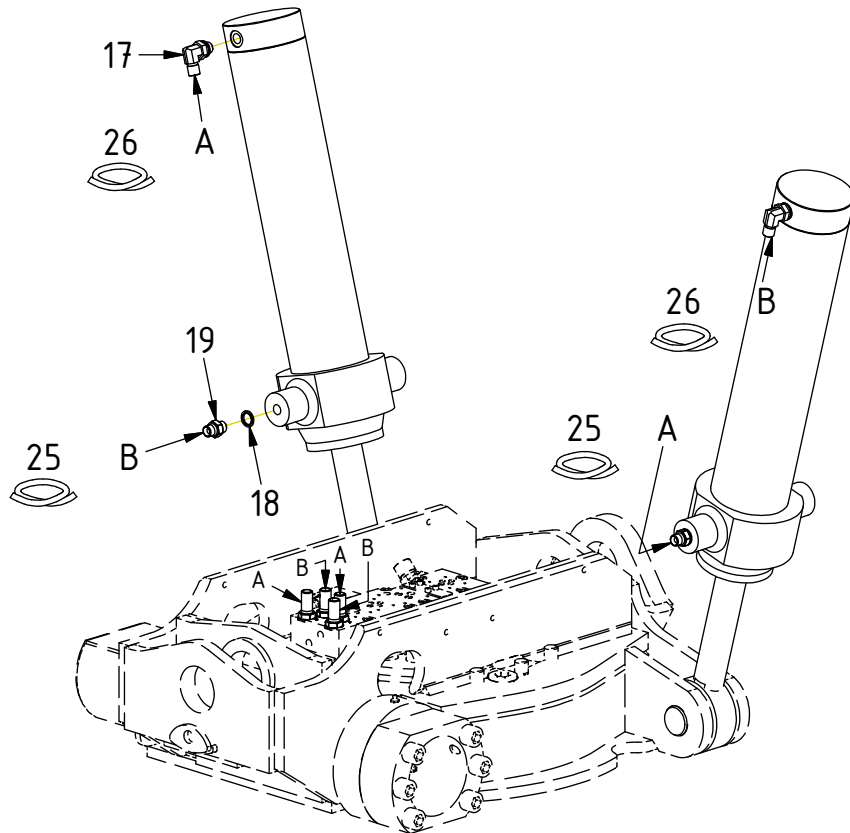
POS in order of assembly

## TILT

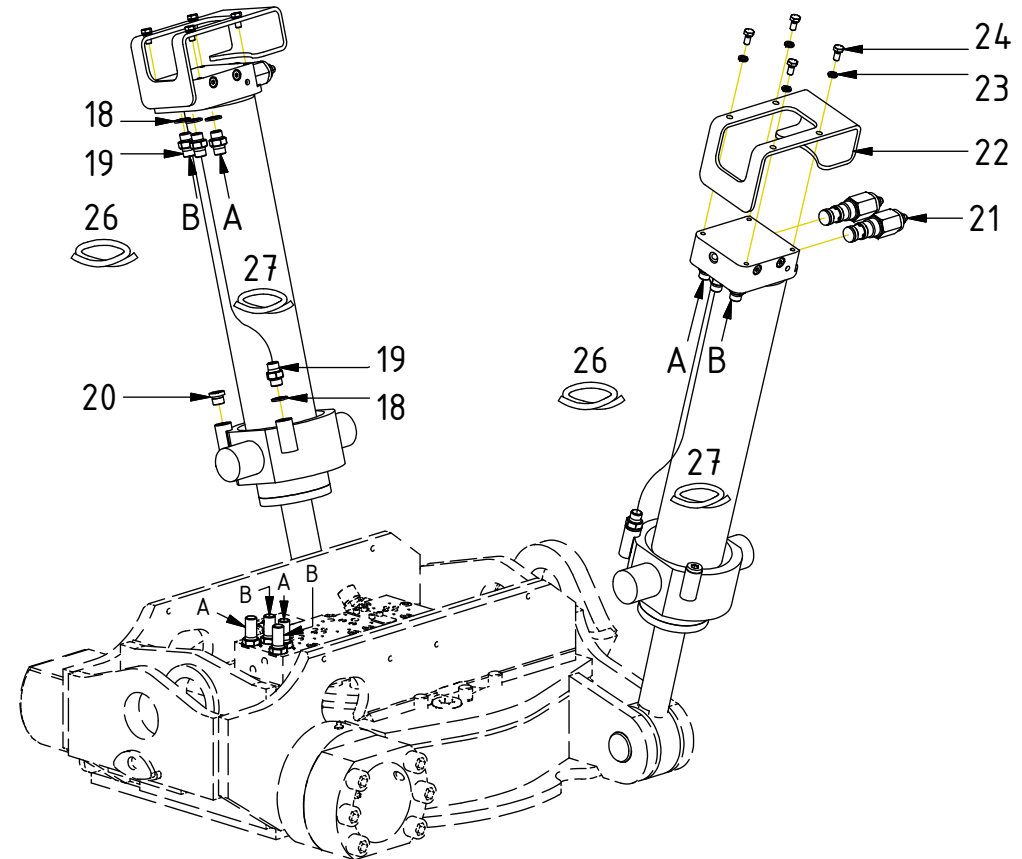
ss10 (DC2/SVAB)

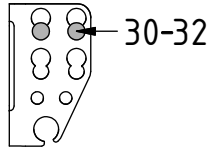
POS	DESCRIPTION	PART	QTY	COMMENTS
17	Adapter 401-06-06 90° (3/8")	710152	2	
18	Washer GBR06 3/8	710703	2	QTY: 8 for ss9
19	Adapter 136-06-06 (3/8")	710106	2	QTY: 8 for ss9
20	Plug 3/8"	711504	2	
21	Overcentre valve 4:1	730277	4	Torque: 60Nm
22	Hose protection Tiltcylinder	1014280	2	
23	Washer NL 8mm	611040	8	
24	Screw M6S M8x16 8,8 FZB	610122	8	
25	Hose Tilt ss10 (DC2/SVAB)	740313	2	
26	Hose Tilt	740312	2	QTY: 4 for ss9
27	Hose Tilt (ss9)	740343	2	

POS in order of assembly



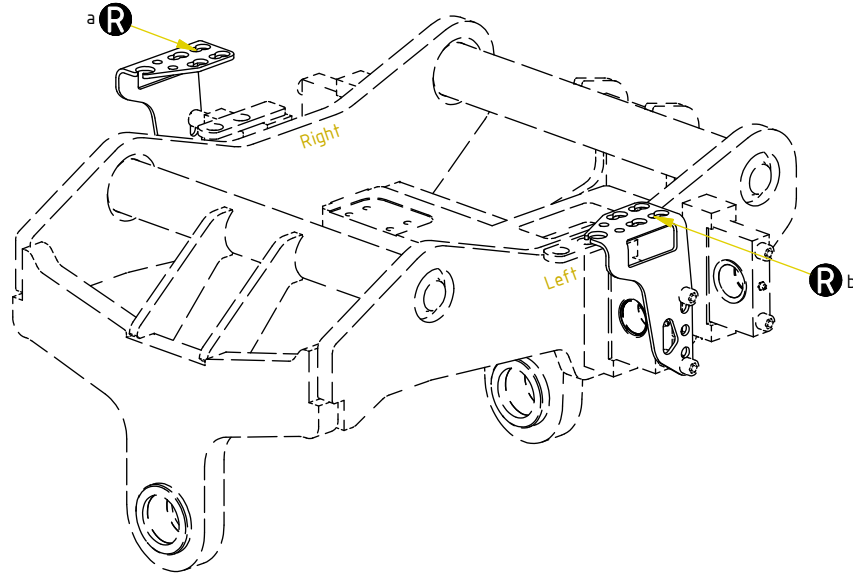
ss9





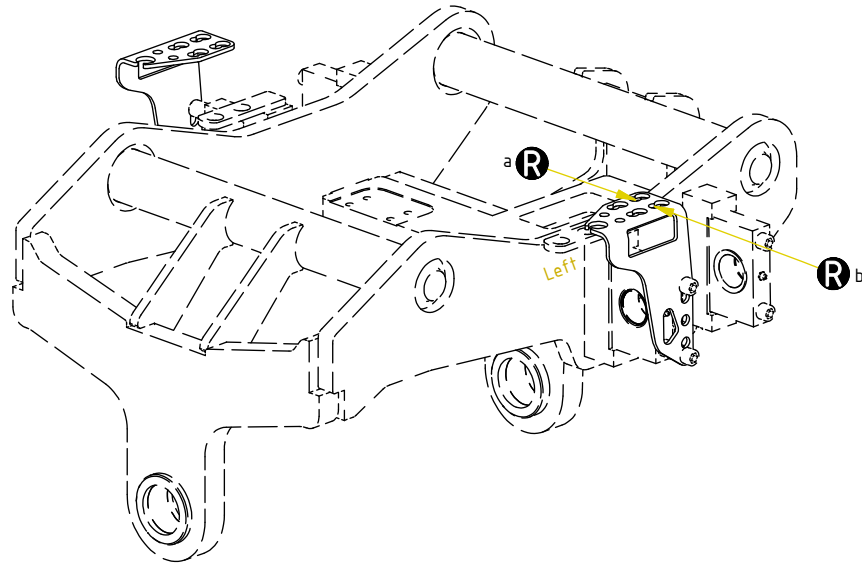
## FEED

Std feed



POS	DESCRIPTION	PART	QTY	COMMENTS
28	Main Feed T&P depends on top part			See "Top part"
29	For Functions & Feed Hoses			See "Control system"
30	Washer NL 16mm	611044	2	
31	Adapter 1260-06-32 (3/8")	710242	2	
32	Counternut 1270-06 (3/8")	710252	2	

Feed Left



Feed Right

