

# TG25HD V2 COVERSHEET

## Planned document changes:


### Briefly:

No planned changes.

## Document changes:

| Date:      | Change:       | Rev.<br>after change: |
|------------|---------------|-----------------------|
| 2024-05-10 | New document. | -                     |

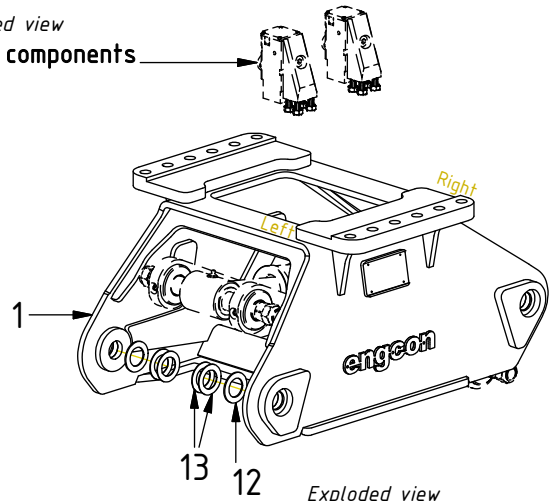
### Readers note:

 Indicates instruction.

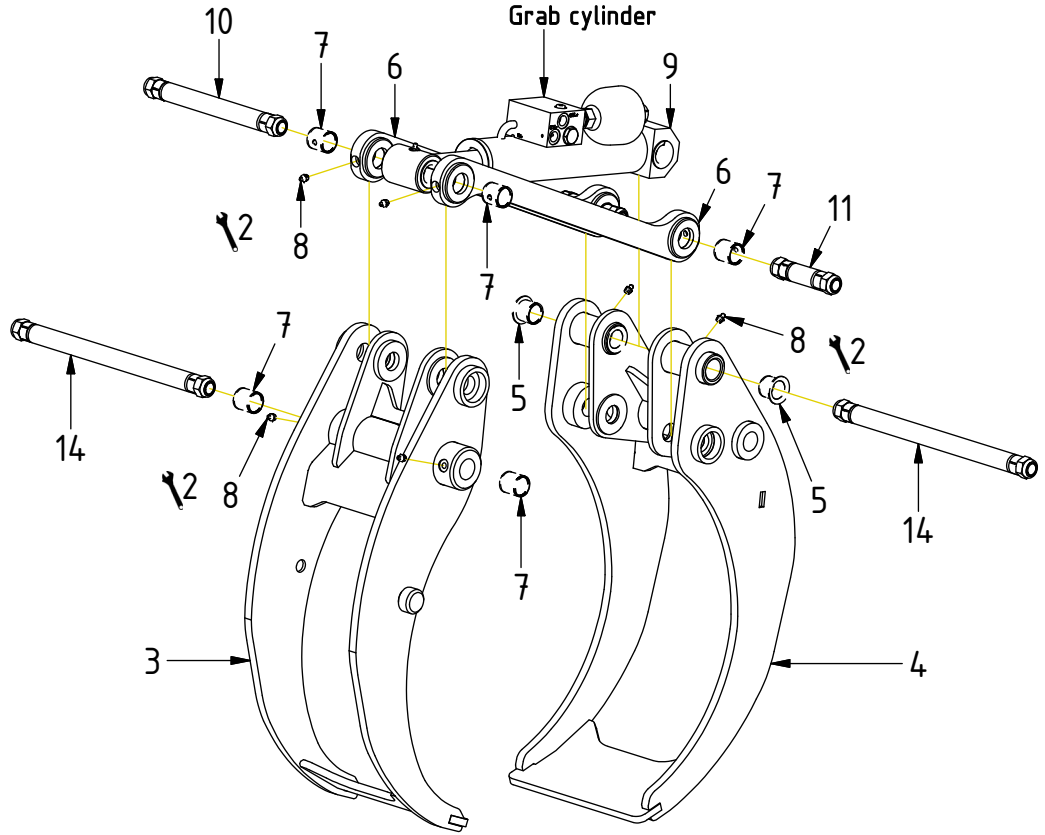
 Represents Hose.

Dashed lines for overview, mounts  
on other pages/assemblies.

Exploded view  
EC-Oil components



Exploded view  
Grab cylinder

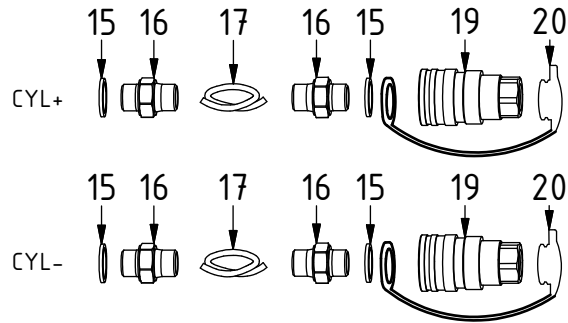


| POS | DESCRIPTION                         | PART    | QTY | COMMENTS         |
|-----|-------------------------------------|---------|-----|------------------|
| 1   | Main frame TG25HD V2                | 1073806 | 1   |                  |
| 2   | Fill lubrication points with grease |         |     |                  |
| 3   | Arm narrow TG25HD V2                | 1074733 | 1   | (POS.7, 8 incl.) |
| 4   | Arm wide TG25HD V2                  | 1074732 | 1   | (POS.5, 8 incl.) |
| 5   | Bushing WB802 30/34/45x30WF         | 630401  | 4   |                  |
| 6   | Link TG25HD V2                      | 1074823 | 2   |                  |
| 7   | Bushing WB802 30/34x35              | 630314  | 10  |                  |
| 8   | Grease Nipple M10x1 straight        | 790166  | 8   |                  |
| 9   | Cylinder TG25HD V2                  | 1074863 | 1   |                  |
| 10  | Expander axle TG25 L=250mm          | 1035102 | 1   | Torque: 350Nm    |
| 11  | Expander axle TG25 L=135mm          | 1035024 | 2   | Torque: 350Nm    |
| 12  | Axial washer 2mm                    | 1024924 | 4   | Use if required  |
| 13  | Axial washer 1mm                    | 1024925 | 8   | Use if required  |
| 14  | Expander axle Ø30 L386 TG V2        | 1074096 | 2   | Torque: 350Nm    |

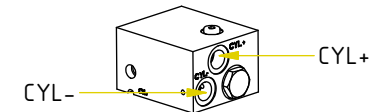
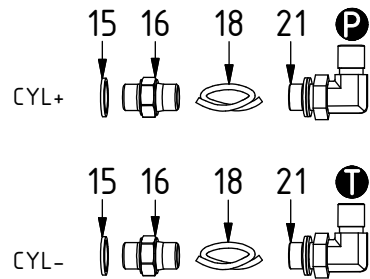
POS in order of assembly

| POS | DESCRIPTION                  | PART   | QTY | COMMENTS |
|-----|------------------------------|--------|-----|----------|
| 15  | Washer GBR06 3/8             | 710703 | 6   |          |
| 16  | Adapter 136-06-06 (3/8")     | 710106 | 6   |          |
| 17  | Hose Cylinder                | 740910 | 2   |          |
| 18  | Hose EC-Oil                  | 740909 | 2   |          |
| 19  | Quick coupler 3/8" 3810      | 790112 | 2   |          |
| 20  | Dust protection 3/8"         | 790117 | 2   |          |
| 21  | Adapter 401-06-06 90° (3/8") | 710152 | 2   |          |
| 22  | Adapter 090-06-06 90° (3/8") | 710216 | 2   |          |

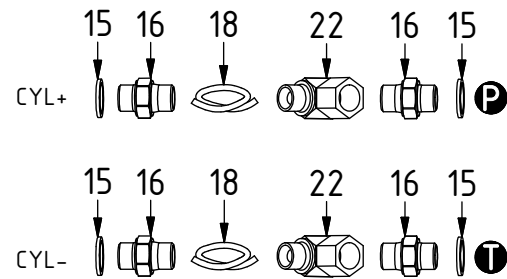
POS in order of assembly



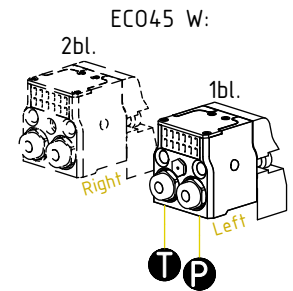
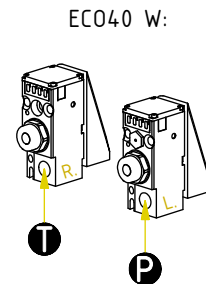
ECO40 W:



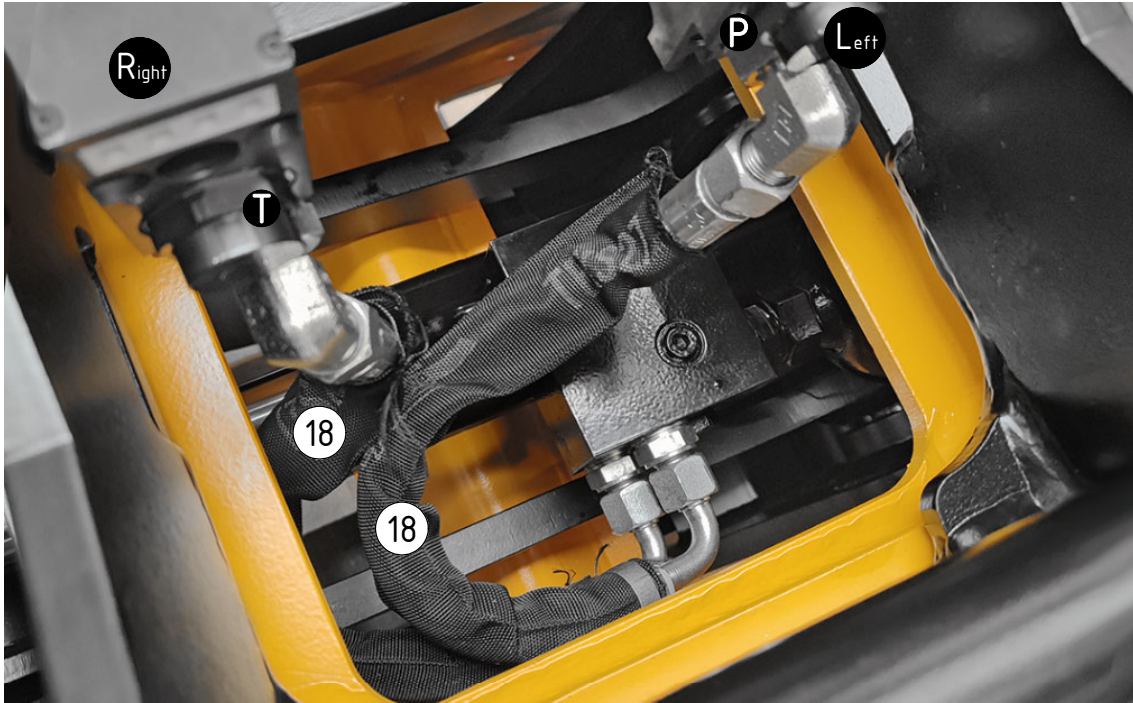
ECO45 W:



EC-Oil:

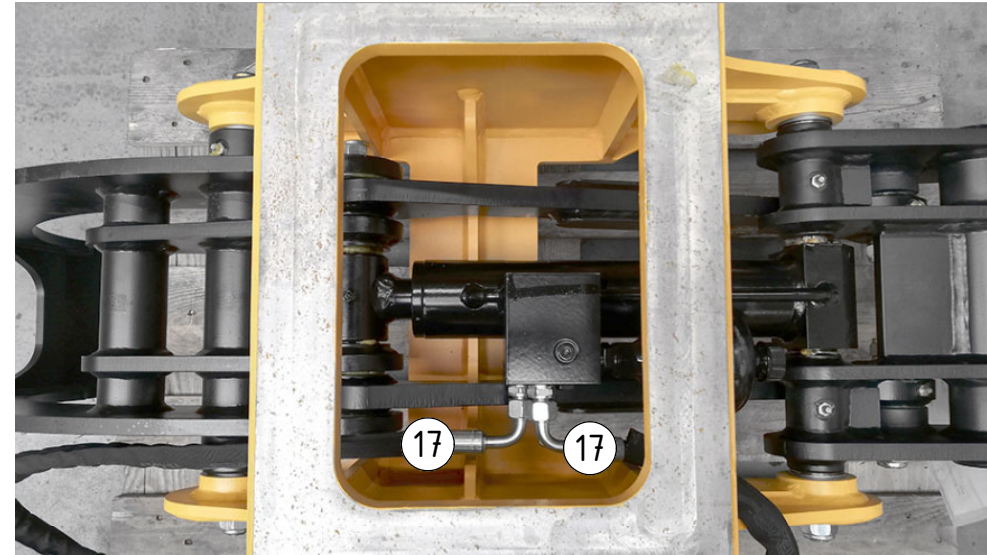


ECO40 W:



| POS | DESCRIPTION   | PART   | QTY | COMMENTS |
|-----|---------------|--------|-----|----------|
| 17  | Hose Cylinder | 740910 | 2   |          |
| 18  | Hose EC-Oil   | 740909 | 2   |          |

Without ECO:



ECO45 W:

