

COVERSHEET

Planned document changes:


Briefly:


No planned changes.

Document changes:

Date:	Change:	Rev. after change:
2024-10-22	New document.	A
2024-04-24	Pre-series draft.	-

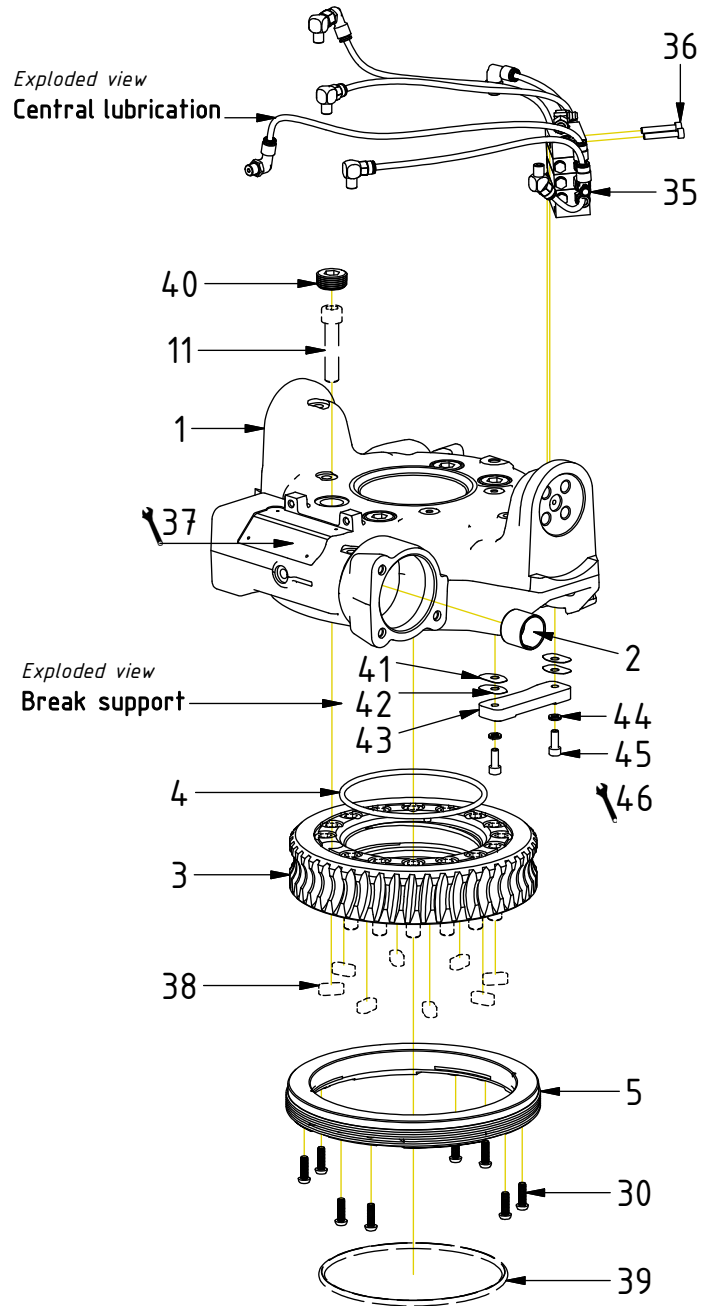
Readers note:

 Indicates instruction.

 Represents Hose.

Dashed lines for overview, mounts
on other pages/assemblies.

EC204B - Rotator frame



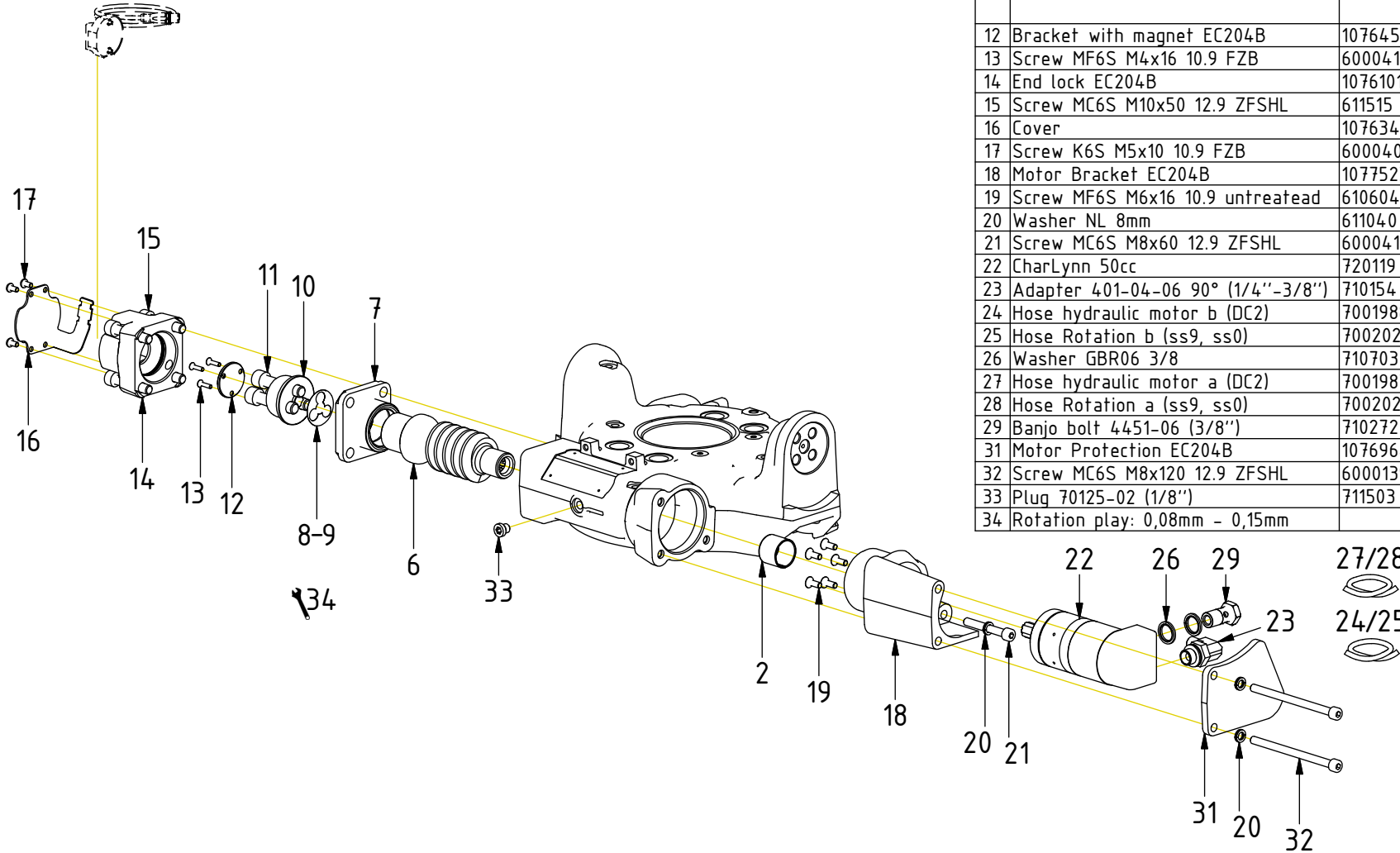
POS	DESCRIPTION	PART	QTY	COMMENTS
1	Rotator Frame EC204B	1079194	1	
2	Bushing WB700 28/31x25	630004	1	
3	Worm wheel EC204B	1060355	1	
4	O-ring 120x4,5	7001973	1	
5	Bearing ring EC204B	1079542	1	
11	Screw MC6S M12x55 12.9 ZFSL	6000155	19	QTY: 16 part of quick hitch Torque: 136Nm
30	Screw TX30 6x16 10,9 FZB	1078839	8	Torque: 14Nm Tighten in cross pattern
35	Lubrication kit EC204B	1079207	1	
36	Screw MC6S M5x30 12.9	610403	2	
37	Punch serial no into rotator frame			
38	Feather key 10x8x22	6000416	8	Part of quick hitch
39	O-ring 155x5,0	7001935	1	Part of quick hitch
40	Pipe plug	7000457	4	
41	Shim breaksupport ?mm	1076793	2	
42	Shim breaksupport ?mm	1076792	2	
43	Supporting plate EC204B	1076498	1	
44	Washer NL 6mm	611039	2	
45	Screw MC6S M6x16 12.9 ZFSL	6000017	2	
46	Break play: 0,5mm - 0,7mm			Assy. between frame & quick hitch

POS in order of assembly

EC204B - Rotator frame

EC204BS:

Exploded view
ePS2 Sensors



POS	DESCRIPTION	PART	QTY	COMMENTS
2	Bushing WB700 28/31x25	630004	1	
6	Worm screw EC204B	1075865	1	
7	Screw bushing	1075889	1	
8	Shim Worm screw 0,3mm	1076733	1	Use as required
9	Shim Worm screw 0,1mm	1076734	1	Use as required
10	Washer Worm screw EC204B	1075864	1	
11	Screw MC6S M12x55 12.9 ZFSL	6000155	19	QTY: 16 part of quick hitch Torque: 136Nm
12	Bracket with magnet EC204B	1076455	1	
13	Screw MF6S M4x16 10.9 FZB	6000414	3	
14	End lock EC204B	1076101	1	
15	Screw MC6S M10x50 12.9 ZFSL	611515	4	Torque: 79Nm
16	Cover	1076341	1	
17	Screw K6S M5x10 10.9 FZB	6000408	4	
18	Motor Bracket EC204B	1077523	1	
19	Screw MF6S M6x16 10.9 untreated	610604	5	Torque: 14Nm. Loxeal 55-02
20	Washer NL 8mm	611040	3	
21	Screw MC6S M8x60 12.9 ZFSL	6000417	1	
22	CharLynn 50cc	720119	1	
23	Adapter 401-04-06 90° (1/4"-3/8")	710154	1	
24	Hose hydraulic motor b (DC2)	7001988	1	Part of quick hitch assy.
25	Hose Rotation b (ss9, ss0)	7002026	1	Part of quick hitch assy.
26	Washer GBR06 3/8	710703	2	
27	Hose hydraulic motor a (DC2)	7001987	1	Part of quick hitch assy.
28	Hose Rotation a (ss9, ss0)	7002025	1	Part of quick hitch assy.
29	Banjo bolt 4451-06 (3/8")	710272	1	
31	Motor Protection EC204B	1076964	1	
32	Screw MC6S M8x120 12.9 ZFSL	6000139	2	Torque: 40Nm
33	Plug 70125-02 (1/8")	711503	1	
34	Rotation play: 0,08mm - 0,15mm			Note rotation play on module card

POS in order of assembly