

COVERSHEET

Planned document changes:

**Briefly:**

No planned changes.

Document changes:

**Date:**

**Change:**

**Rev.**

**after change:**

2024-03-28

New document.

-

*Readers note:*

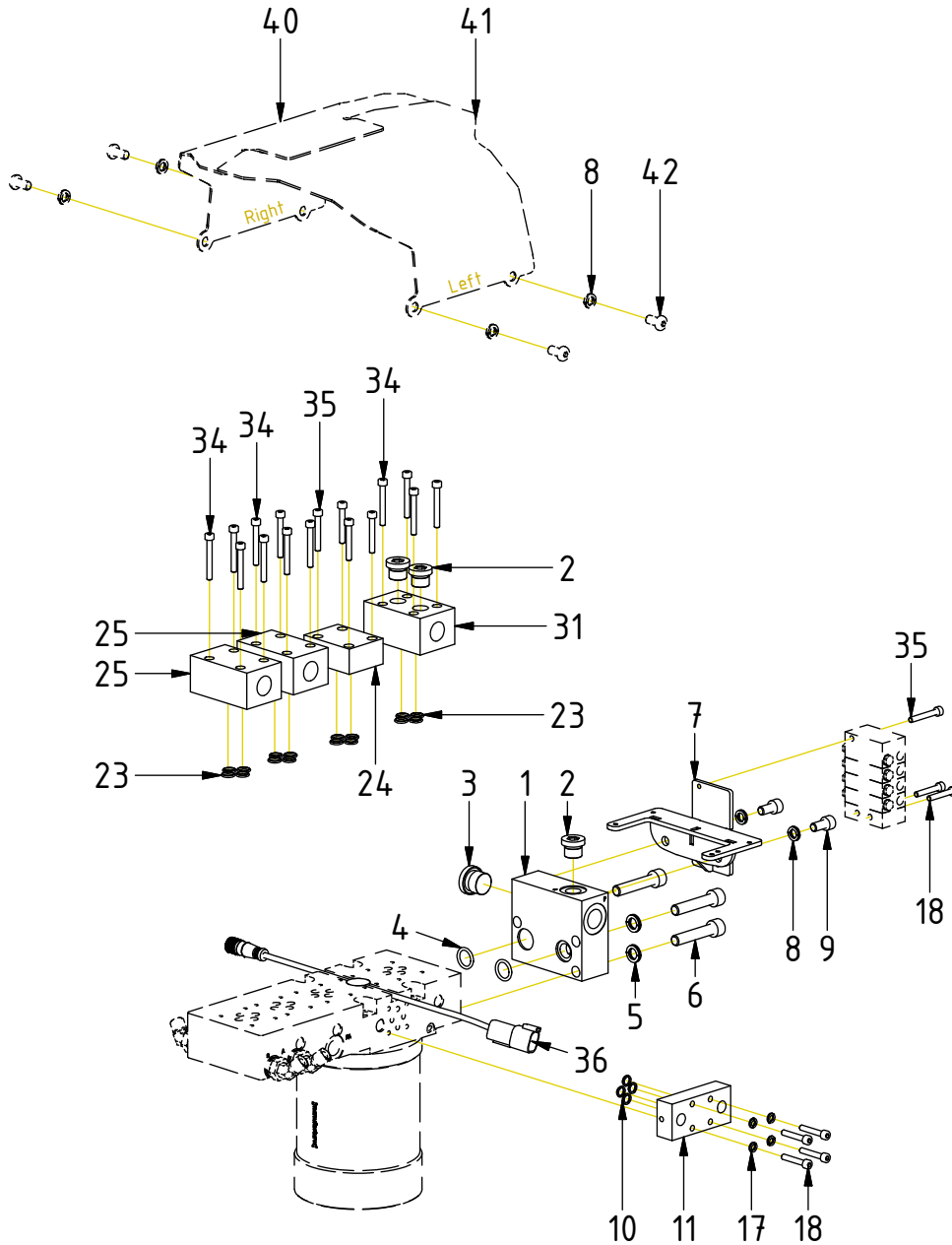


Indicates instruction.

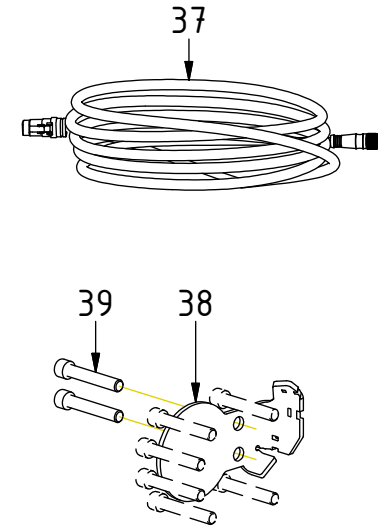


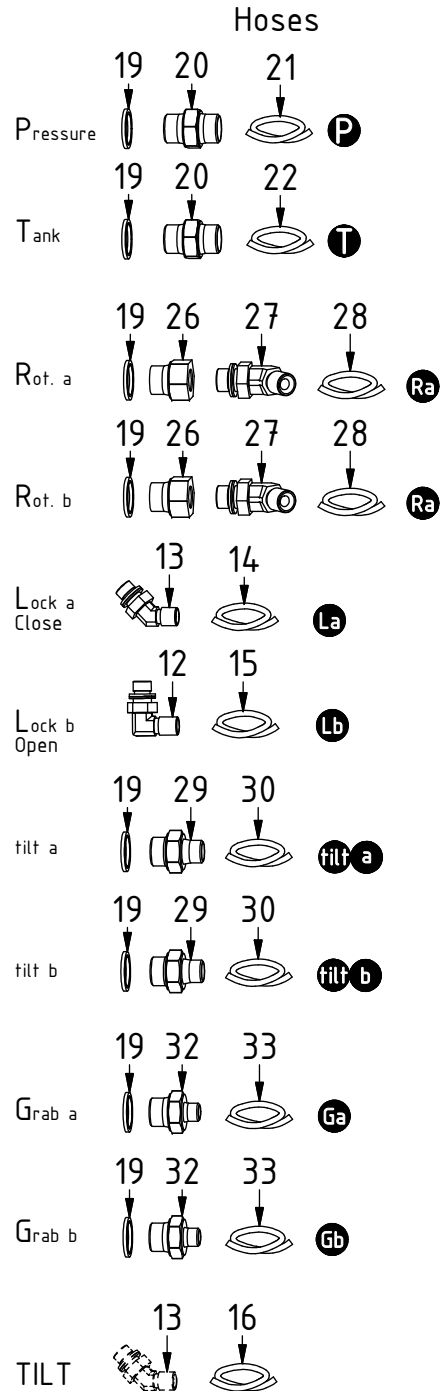
Represents Hose.

Dashed lines for overview, mounts  
on other pages/assemblies.

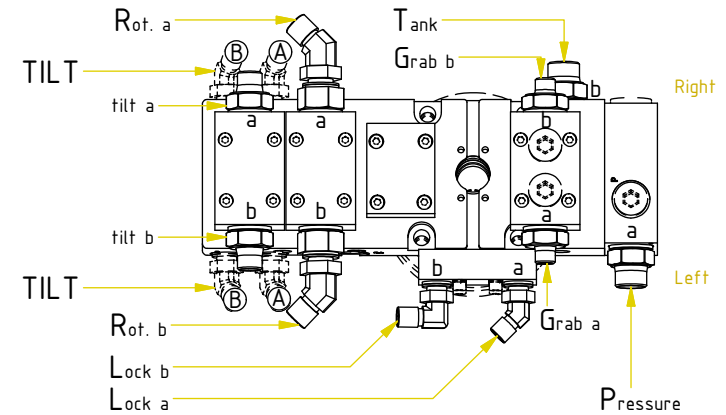


POS	DESCRIPTION	PART	QTY	COMMENTS
1	Connection block P - ss0	1057230	1	
2	Plug 70125-06 (3/8")	711504	3	
3	Plug 70125-08 (1/2")	711500	1	
4	O-ring 15,54x2,62	712423	2	
5	Washer NL 10mm	611041	3	
6	Screw MC6S M10x50 12.9 ZFSHL	611515	3	
7	Mounting plate Central lub. QSM	1055574	1	
8	Washer NL 8mm	611040	6	QTY: 4 part of make up
9	Screw MC6S M8x16 12.9	610431	2	
10	O-ring 7,65x1,78	710960	4	
11	Connection block NG4	1009586	1	
17	Washer NL 5mm	611038	4	
18	Screw MC6S M5x30 12.9	610403	6	Torque: 9,7Nm
23	O-ring 9,25x1,78	710901	16	
24	Overflow block NG6	1005844	1	
25	Connectionbl. 1/2" crossingchannels	1050000	2	
31	Connection block 1/2"	405670	1	
34	Screw MC6S M5x40 12.9	610405	12	
35	Screw MC6S M5x35 12.9	610404	5	
36	Q-Safe connector			
37	Cable QS QLM tiltrotator DTM 4,5m	842148	1	
38	Protection plate End lock EC209B	1063372	1	
39	Screw MC6S M12x70 12.9 ZFSHL	611517	8	Torque: 136Nm
40	Protective cover EC209 QSM right	1056633	1	Part of make up
41	Protective cover EC209 QSM left	1056632	1	Part of make up
42	Screw K6S M8x16 10.9 FZB	611810	4	Part of make up

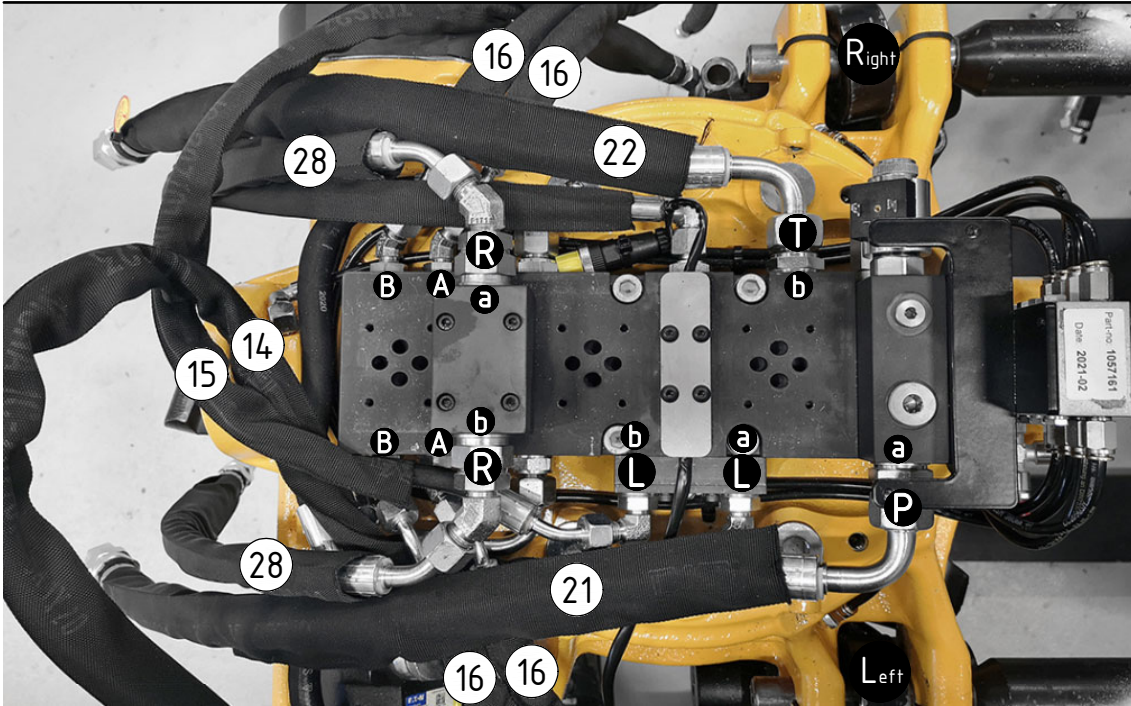




POS	DESCRIPTION	PART	QTY	COMMENTS
12	Adapter 401-04-04 90° (1/4")	710151	1	
13	Adapter 45° 402-04-04(1/4")	7000104	5	QTY: 4 part of quick hitch assy.
14	Hose feed lock a	7001277	1	
15	Hose feed lock b	7001278	1	
16	Hose Tilt	7001308	4	
19	Washer GBR08 1/2	710704	8	
20	Adapter 136-08-08 (1/2")	710108	2	
21	Hose Feed P	7001265	1	
22	Hose Feed T	7001266	1	
26	Adapter 234-08-06	710233	2	
27	Adapter 45° 402-06-06(3/8")	7000090	2	
28	Hose Rotation	7001587	2	
29	Adapter 135-06-08	710122	2	
30	Hose feed tilt	7001588	2	
32	Adapter 135-04-08 (1/4"-1/2")	710120	2	
33	Hose feed Grab	7001636	2	



POS in order of assembly



POS	DESCRIPTION	PART	QTY	COMMENTS
14	Hose feed lock a	7001277	1	
15	Hose feed lock b	7001278	1	
16	Hose Tilt	7001308	4	
21	Hose Feed P	7001265	1	
22	Hose Feed T	7001266	1	
28	Hose Rotation	7001587	2	
30	Hose feed tilt	7001588	2	
33	Hose feed Grab	7001636	2	
36	Q-Safe connector			
37	Cable QS QLM tiltrotator DTM 4,5m	842148	1	
●	Use cable ties			

