

COVERSHEET

Planned document changes:

**Briefly:**

No planned changes.

Document changes:

**Date:**

**Change:**

**Rev.**

**after change:**

2024-02-27

New document.

-

*Readers note:*



Indicates instruction.

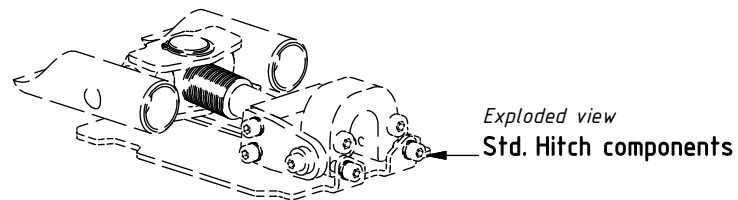
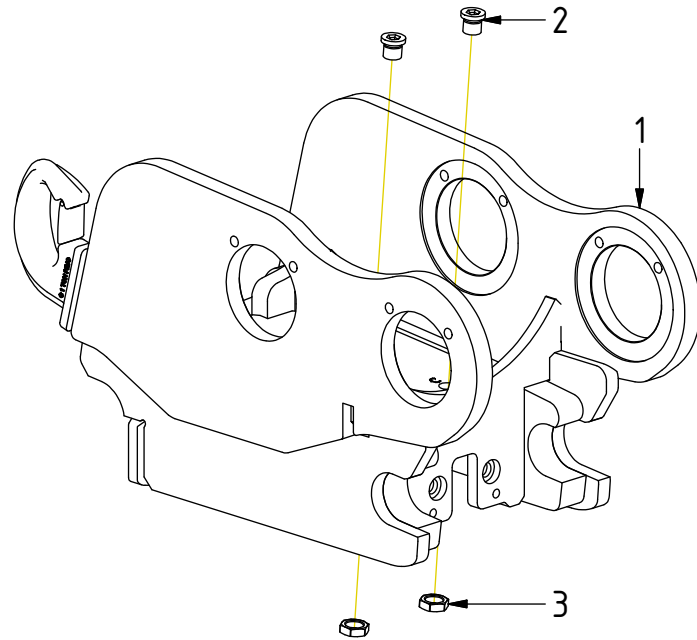


Represents Hose.

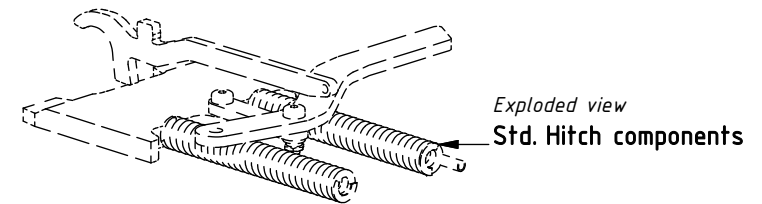
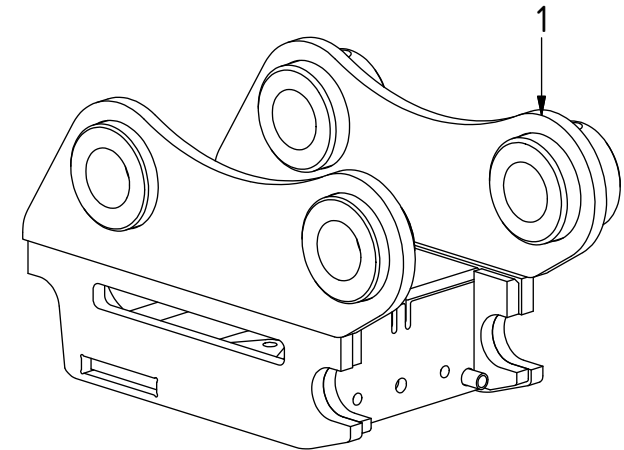
Dashed lines for overview, mounts  
on other pages/assemblies.

POS	DESCRIPTION	PART	QTY	COMMENTS
1	Quick hitch is selected via engcon			(Machine dependent)
2	Plug 153-04 (1/4")	711505	2	
3	Counternut 1270-04 (1/4")	710250	2	

POS in order of assembly



S40SEMI



POS	DESCRIPTION	PART	QTY	COMMENTS
-----	-------------	------	-----	----------

POS in order of assembly

