

GRD70B COVERSHEET

Planned document changes:


Briefly:

No planned changes.

Document changes:

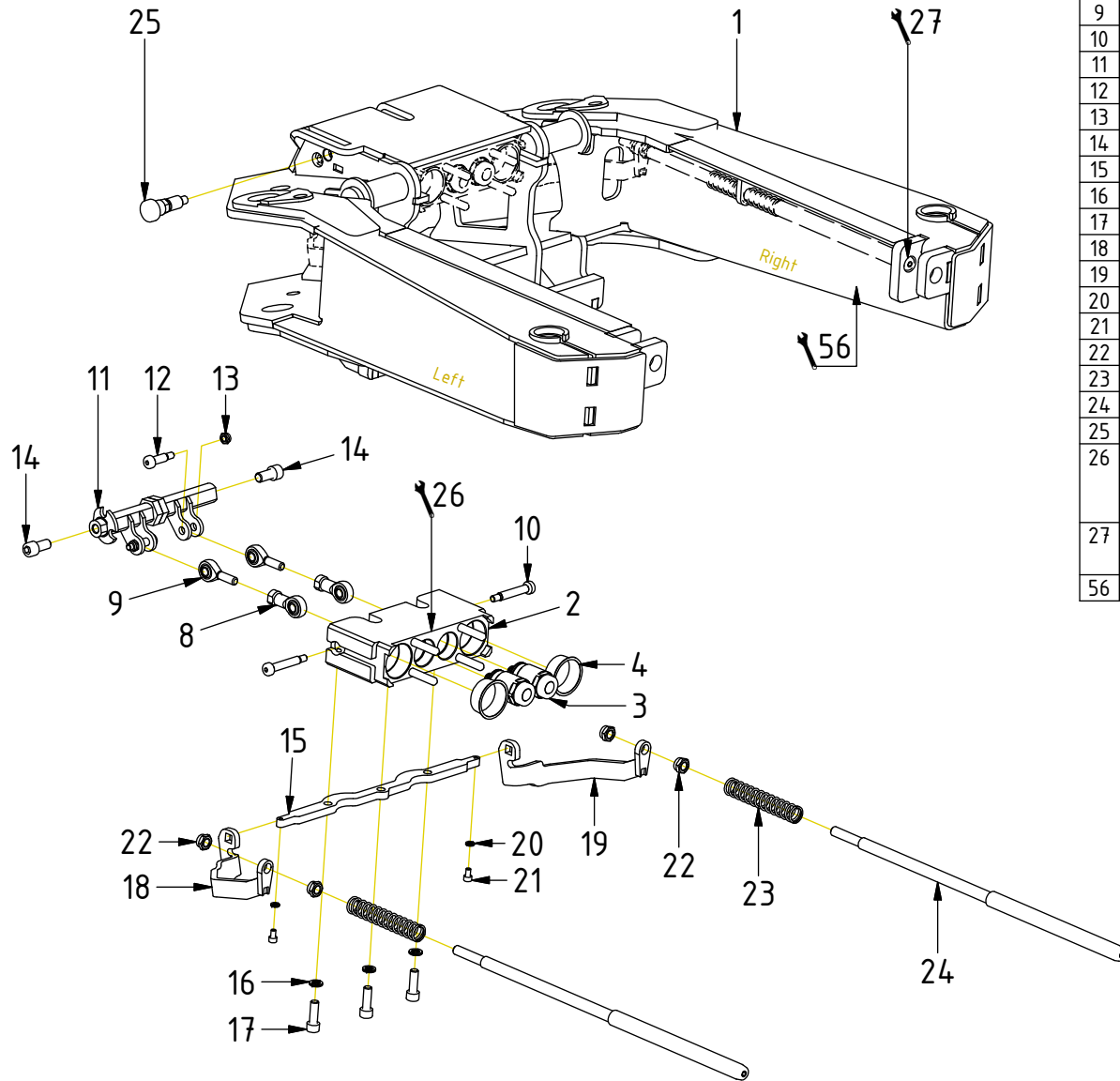
Date:	Change:	Rev. after change:
2024-02-12	New document.	-

Readers note:

 Indicates instruction.

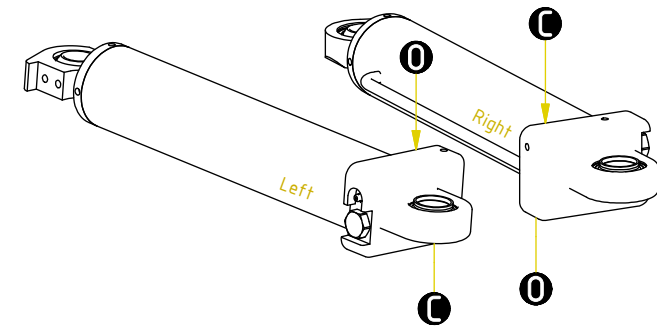
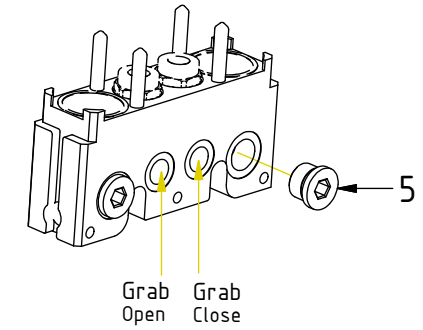
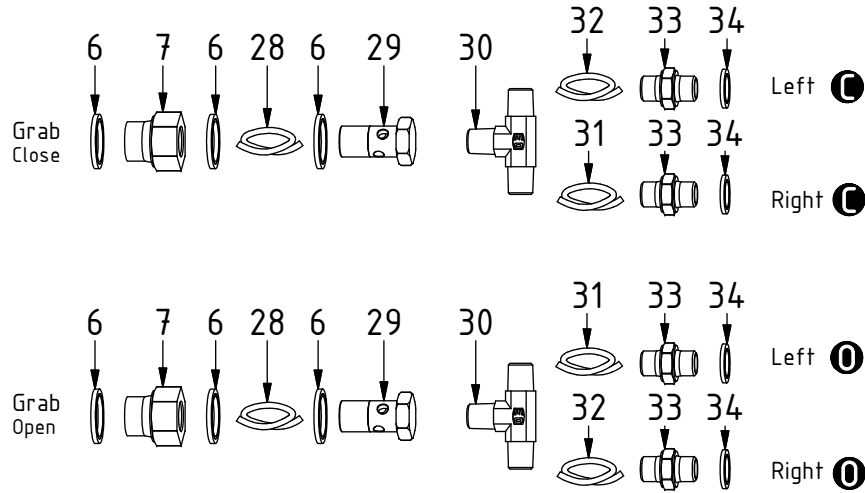
 Represents Hose.

Dashed lines for overview, mounts
on other pages/assemblies.

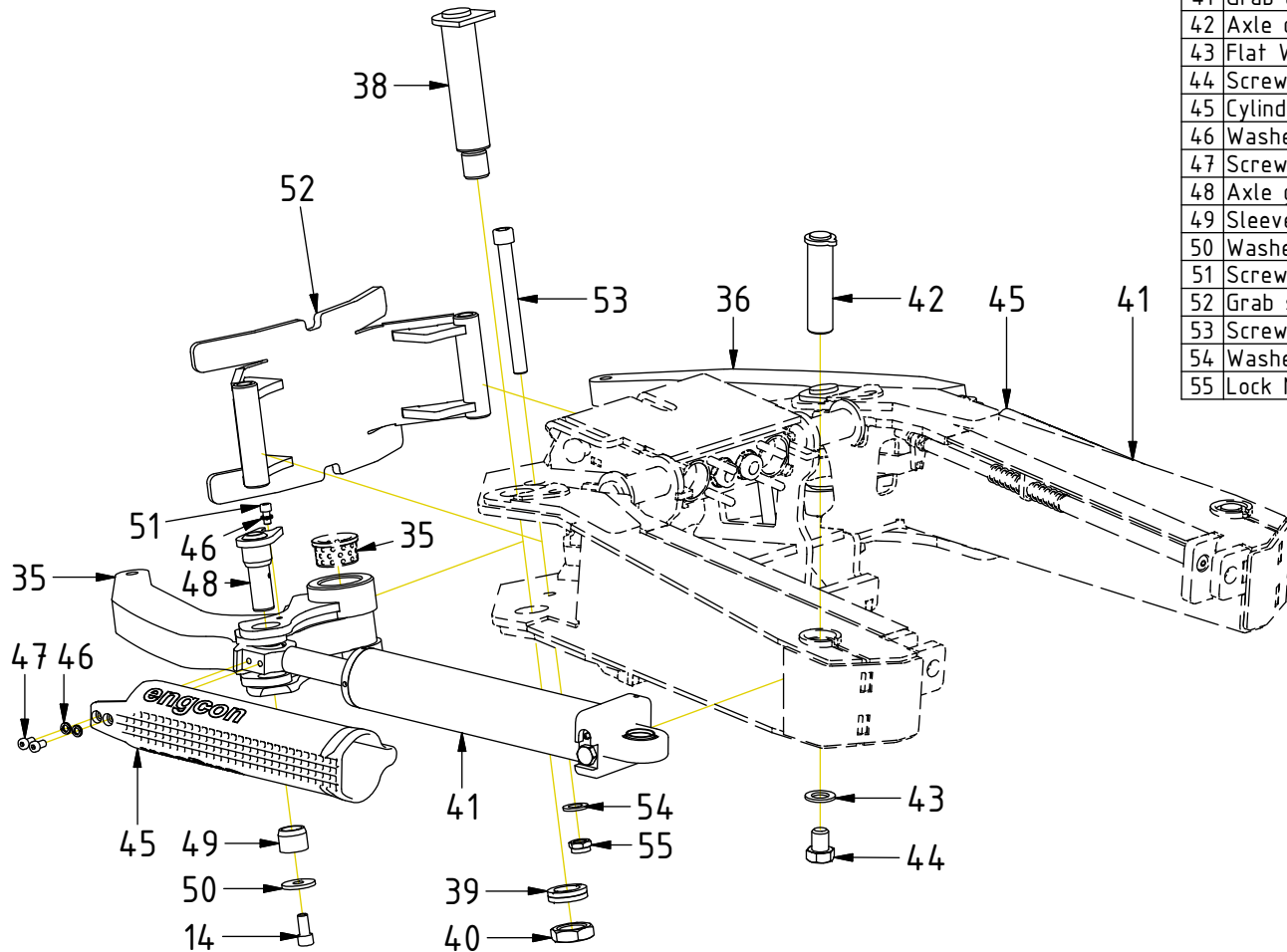


POS	DESCRIPTION	PART	QTY	COMMENTS
1	Grab frame GRD70B	1071000	1	
2	Q-Block GRD70 V2	1057365	1	
3	Coupling ECO60 1/2" male	1027633	2	Torque: 60Nm
4	Protection plug TECO70	7000157	2	
8	Linkhead female	1033284	2	
9	Linkhead male	1033283	2	Unscrew 4 turns from bottomed
10	Shoulder bolt 10x50/M8	6000124	2	Loxeal 83-52
11	Eccenter GRD70	1044839	1	
12	Shoulder bolt 10x25/M8	611703	2	
13	Lock Nut M6M M8x1,25 8,8 FZB	610922	2	
14	Screw MC6S M12x25 12.9 ZFSHL	6000164	4	Loxeal 83-52
15	Carrier GRD70	1044829	1	
16	Washer NL 10mm	611041	3	
17	Screw MC6S M10x30 12.9 Geomet	612018	3	
18	Carrier Left GRD70	1044834	1	
19	Carrier Right GRD70	1044835	1	
20	Washer NL 6mm	611039	2	
21	Screw MC6S M6x10 12.9 Geomet	611512	2	
22	Lock Nut M6M M12x1,75 8,8 FZB	610924	4	
23	Compression spring (6192)	1038209	2	
24	Lock pin GRD70	1044752	2	
25	Indexing plunger M16x1,5	6000061	1	
26	Eccenter function distance when connected: 0,5-1,2mm. Max. diff. between couplings: 0,35mm			Measure both couplings. Adjust with linkheads. See p.5
27	With Q-block retracted, lockpin must align with surface			
56	Punch serial no into frame			

POS	DESCRIPTION	PART	QTY	COMMENTS
5	Plug 70125-12 (3/4")	711532	2	
6	Washer GBR08 1/2	710704	8	
7	Adapter 234-08-06	710233	4	
28	Hose Grab Feed GRD-Q	7001036	2	
29	Banjo bolt 4451-06 (3/8")	710272	2	
30	Adapter 851-04-04 (1/4")	7000883	2	
31	Hose Grab Short	7000899	2	
32	Hose Grab Long	7000900	2	
33	Adapter 138-04-29 (1/4")	710135	4	
34	Washer GBR04 1/4	710702	4	



POS	DESCRIPTION	PART	QTY	COMMENTS
14	Screw MC6S M12x25 12.9 ZFSHL	6000164	4	Loxéal 83-52
35	Grab arm GRD70 (single)	1044774	1	(POS.37 incl.)
36	Grab arm GRD70 (double)	1044787	1	(POS.37 incl.)
37	Bushing 40/50/55/5x30	631001	4	
38	Axle grab arm	1044793	2	Torque: 649Nm
39	Washer NL 30mm	6000122	2	
40	Hex. Nut M30x2	6000059	2	Torque: 649Nm
41	Grab cylinder Right/Left	1048549	2	
42	Axle cylinder	1068863	2	
43	Flat Washer	611010	2	
44	Screw M6S 20x25	6000054	2	Loxéal 83-52
45	Cylinder cover	1051368	2	
46	Washer NL 8mm	611040	6	
47	Screw MLC6S M8x16 10.9 FZB	6000220	4	
48	Axle grab arm/cylinder	1034640	2	
49	Sleeve axle	1034641	2	
50	Washer BRB 13x40x4	6000056	2	
51	Screw MC6S M8x16 12.9 ZFSHL	610432	2	
52	Grab support GRD70	1044723	1	
53	Screw MC6S M16x160 12.9 ZFSHL	6000166	2	
54	Washer BRB 17x30x3	611009	2	
55	Lock Nut M6M M16x2 8,8 FZB	610926	2	



POS	DESCRIPTION	PART	QTY	COMMENTS
26	Eccenter function distance when connected: 0,5-1,2mm. Max. diff. between couplings: 0,35mm			Measure both couplings. Adjust with linkheads.
28	Hose Grab Feed GRD-Q	7001036	2	
31	Hose Grab Short	7000899	2	
32	Hose Grab Long	7000900	2	

POS in order of assembly

