

GHH1200 V2 COVERSHEET

Planned document changes:


Briefly:

No planned changes.

Document changes:

Date:	Change:	Rev. after change:
2024-01-30	New document.	-

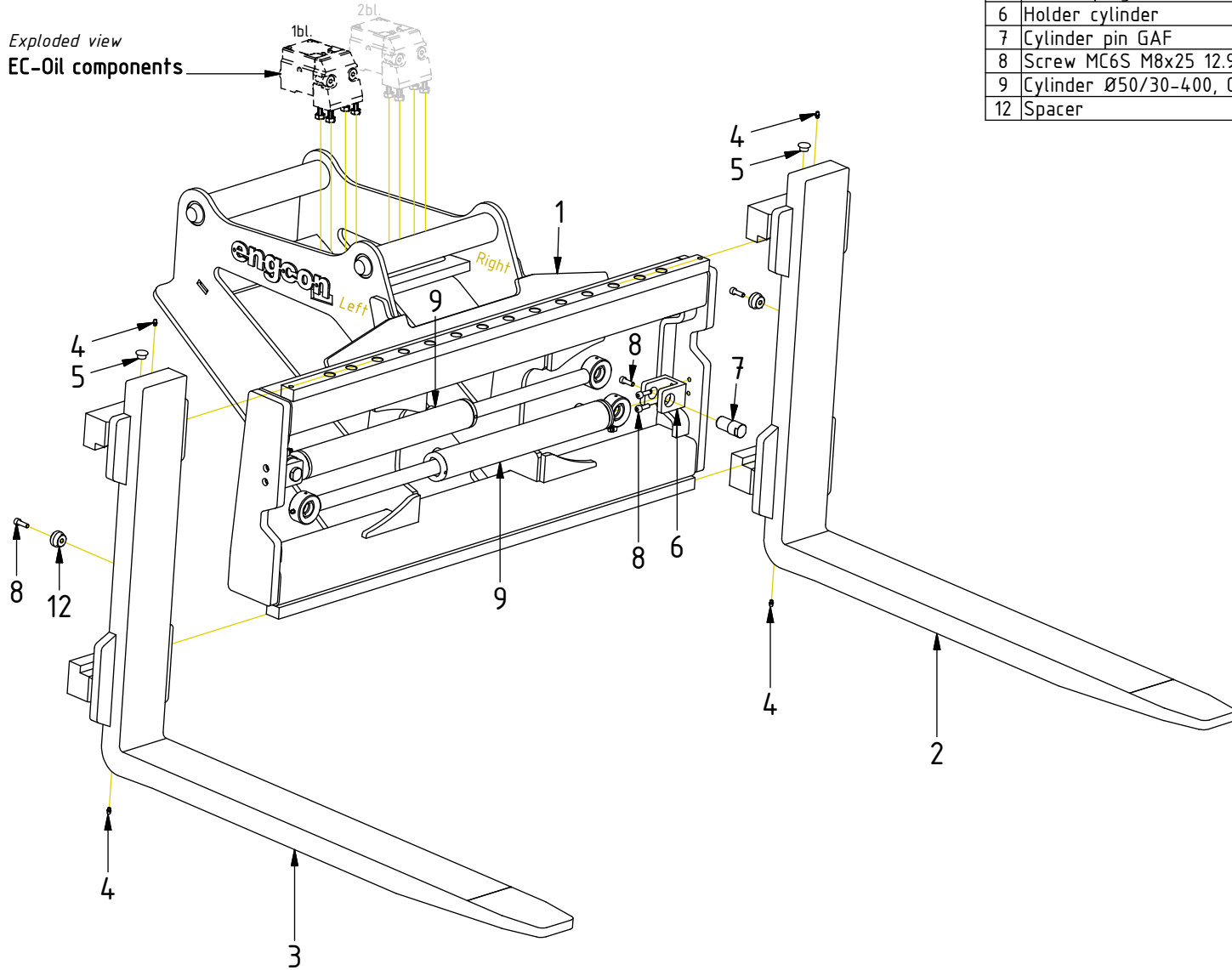
Readers note:

 Indicates instruction.

 Represents Hose.

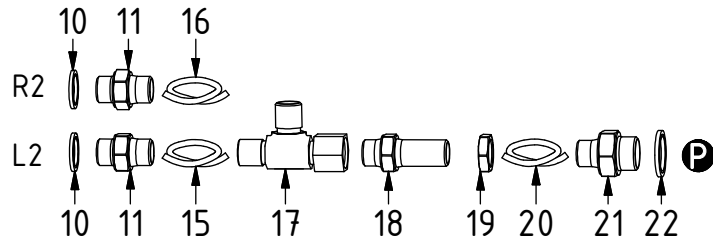
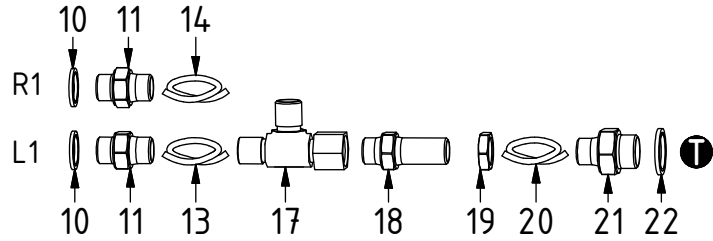
Dashed lines for overview, mounts
on other pages/assemblies.

POS	DESCRIPTION	PART	QTY	COMMENTS
1	Main frame is selected via engcon			
2	Right fork 125x50x1200 5T	1068731	1	
3	Left fork 125x50x1200 5T	1068753	1	
4	Grease Nipple	711405	4	
5	Plastic plug 17x24	1068817	2	
6	Holder cylinder	1071180	2	
7	Cylinder pin GAF	1071179	2	
8	Screw MC6S M8x25 12.9 ZFSL	6000143	8	
9	Cylinder Ø50/30-400, GAF-GHH V2	1069284	2	
12	Spacer	1068217	2	

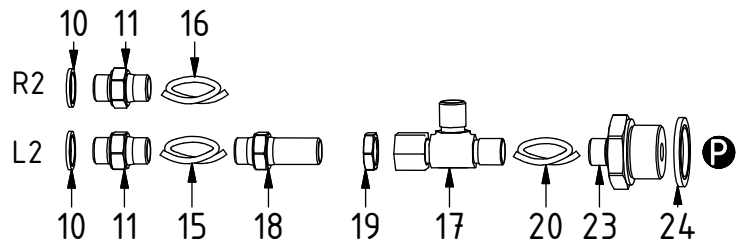
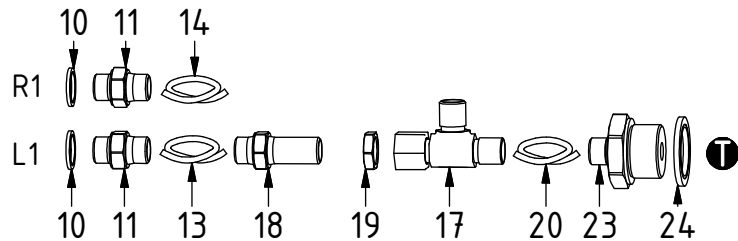


POS in order of assembly

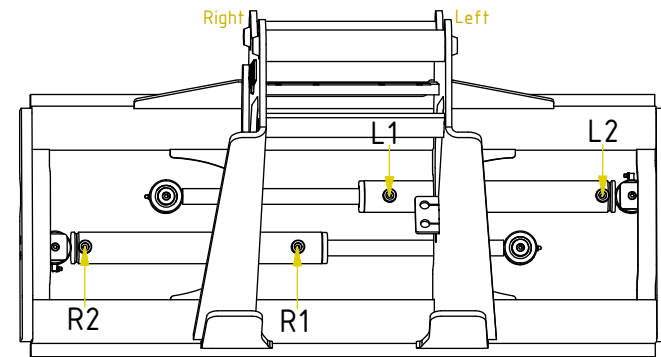
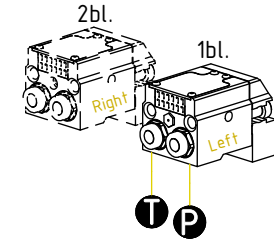
ECO60 W:



ECO80 W:

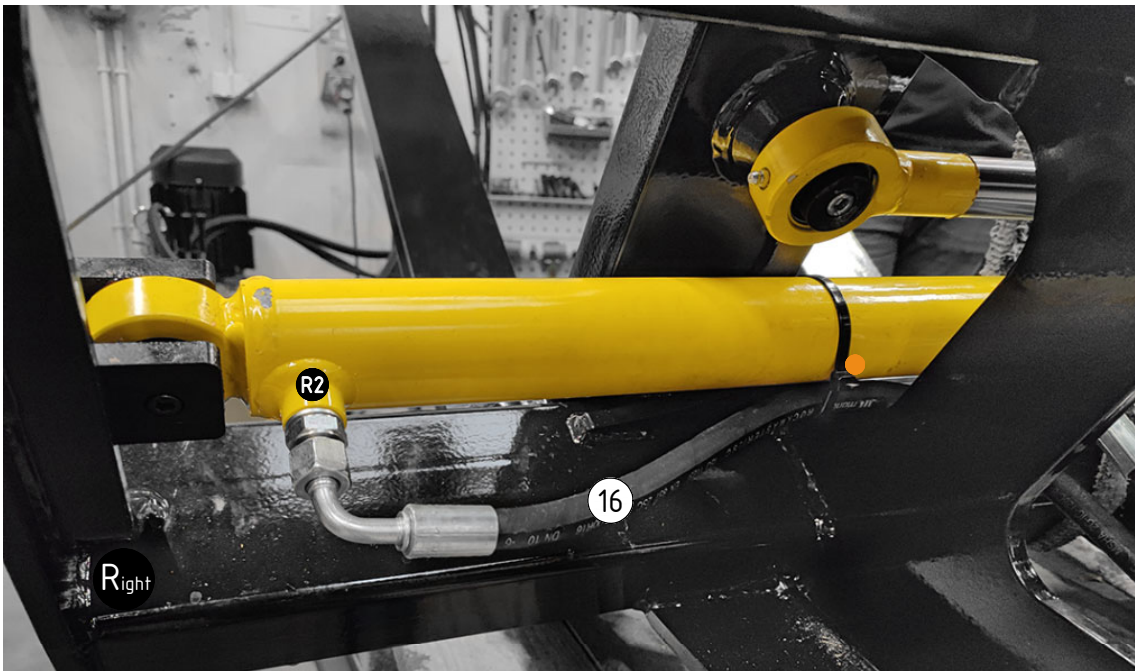
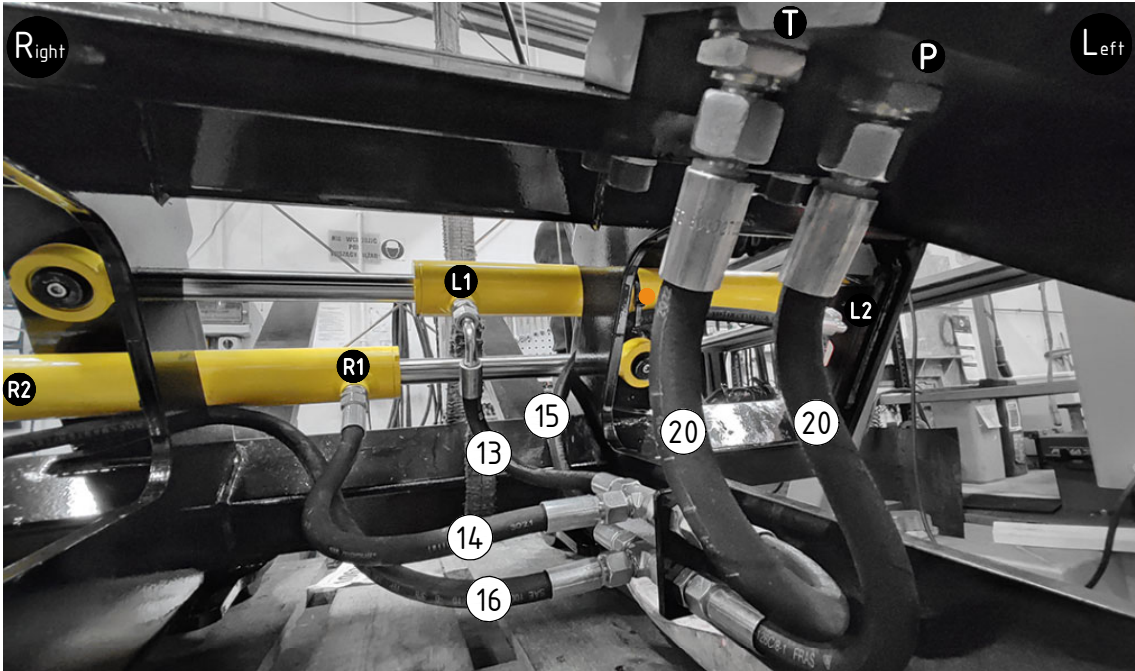


POS	DESCRIPTION	PART	QTY	COMMENTS
10	Washer GBR06 3/8	710703	4	
11	Adapter 136-06-06 (3/8")	710106	4	
13	Hose L1	7001883	1	
14	Hose R1	7001884	1	
15	Hose L2	7001885	1	
16	Hose R2	7001886	1	
17	Adapter 855-06-06 (3/8")	710281	2	
18	Adapter 1260-06-32 (3/8")	710242	2	
19	Counternut 1270-06 (3/8")	710252	2	
20	Hose EC-Oil	7001882	2	
21	Adapter 135-06-08	710122	2	
22	Washer GBR08 1/2	710704	2	
23	Adapter 135-06-16	710123	2	
24	Washer GBR16 1	710707	2	



POS	DESCRIPTION	PART	QTY	COMMENTS
13	Hose L1	7001883	1	
14	Hose R1	7001884	1	
15	Hose L2	7001885	1	
16	Hose R2	7001886	1	
20	Hose EC-Oil	7001882	2	
●	Use cable ties			

EC060 W:



EC080 W:

