

COVERSHEET

Planned document changes:


Briefly:


No planned changes.

Document changes:

Date:	Change:	Rev. after change:
2024-01-09	Cylinder clarified.	A
2023-12-21	New document.	-

Readers note:

 Indicates instruction.

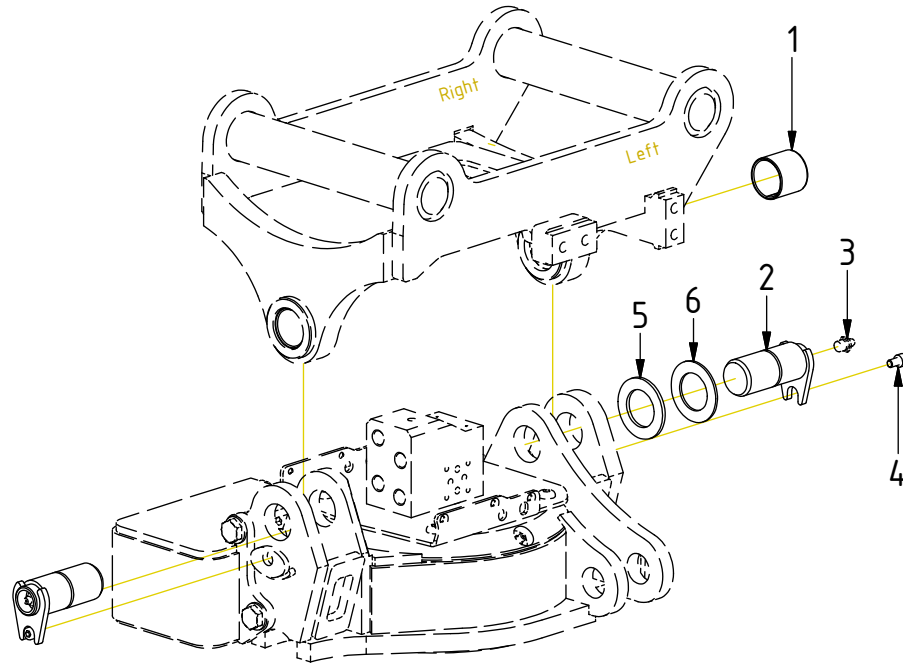
 Represents Hose.

Dashed lines for overview, mounts
on other pages/assemblies.

EC02 - Std. Top components

POS	DESCRIPTION	PART	QTY	COMMENTS
1	Bushing 30/34x30	630003	2	
2	Tilt axle EC02	405186	2	(POS.3 incl.)
3	Grease Nipple	711403	3	
4	Screw MC6S M6x10 12.9 Geomet	611512	3	
5	Shims tilt axle 3mm	405236	1	Use as required
6	Shims tilt axle 2mm	405235	1	Use as required

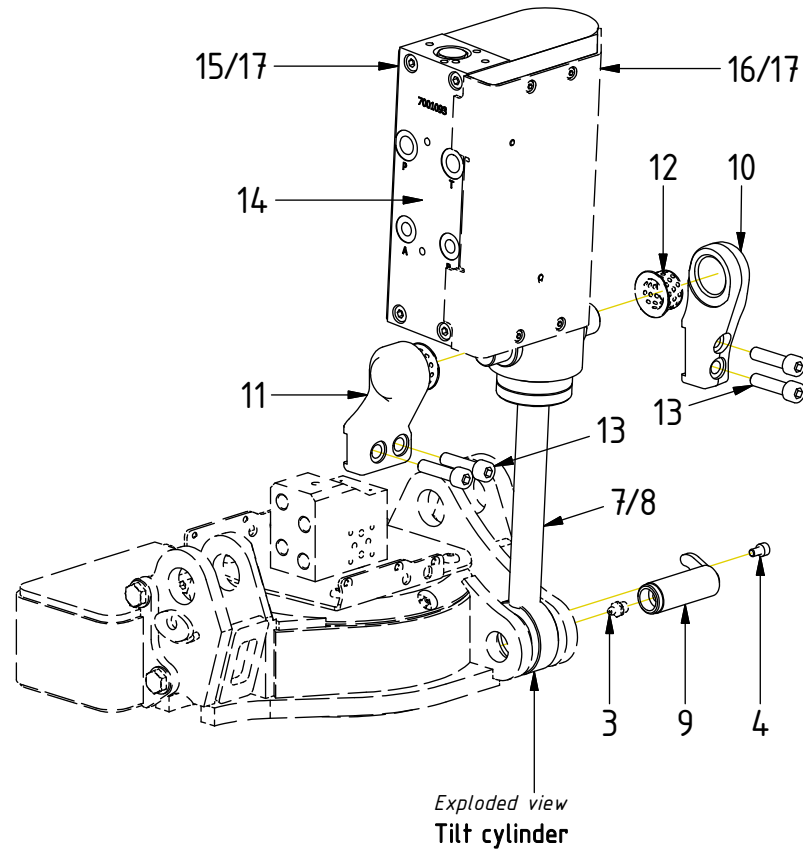
POS in order of assembly



EC02 - Std. Top components

POS	DESCRIPTION	PART	QTY	COMMENTS
3	Grease Nipple	711403	3	
4	Screw MC6S M6x10 12.9 Geomet	611512	3	
7	Tiltcyl. DC2/SVAB/ss5/ss9/ss1/ss3	303561	1	
8	Tilt cylinder EC02 ss0, ss3RX	303440	1	
9	Cylinder axle	405187	1	
10	Yoke EC02 rear Complete	1036701	1	(POS.12 incl.)
11	Yoke EC02 front Complete	1041966	1	(POS.12 incl.)
12	Bushing 25/31/38/1,5x20	6000001	2	
13	Screw MC6S M10x40 12.9 ZFSHL	612020	4	
14	Valve block tilt cylinder Complete	7001094	1	Part of control system
15	Cover tilt cylinder EC02 Right DC2	1023891	1	Part of control system
16	Cover tilt cylinder EC02 Left DC2	1017169	1	Part of control system
17	Cover tilt cylinder EC02	1000046	2	Part of control system

POS in order of assembly



SPARE PARTS

POS	DESCRIPTION	PART	QTY	COMMENTS
3	Grease Nipple	711403	3	
10	Yoke EC02 rear Complete	1036701	1	(POS.12 incl.)
11	Yoke EC02 front Complete	1041966	1	(POS.12 incl.)
18	Bushing 25/28/35x16	630001	2	

POS in order of assembly

