

Planned document changes:


Briefly:

No planned changes.

Document changes:

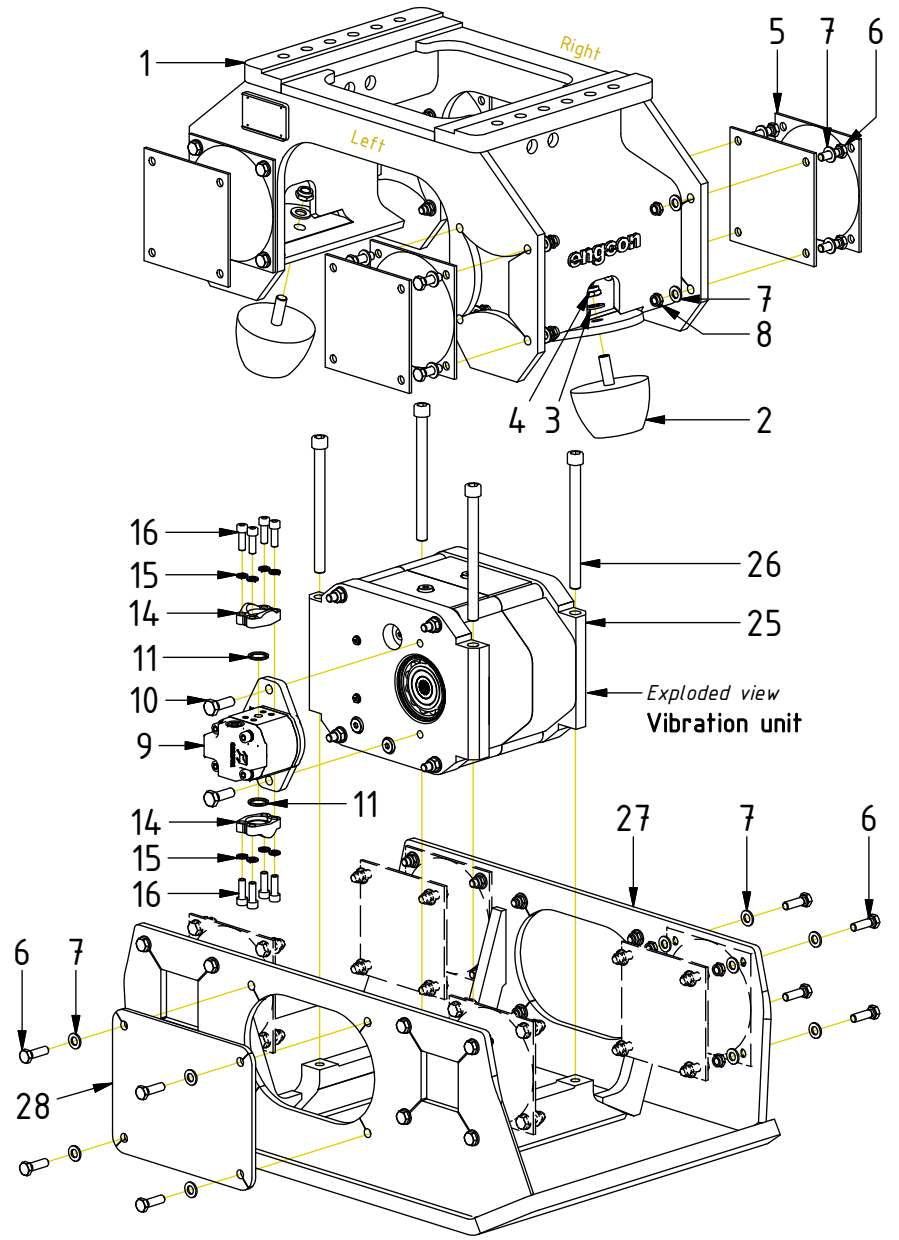
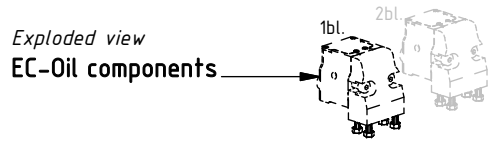
Date:	Change:	Rev. after change:
2023-11-17	New document.	-

Readers note:

 Indicates instruction.

 Represents Hose.

Dashed lines for overview, mounts
on other pages/assemblies.



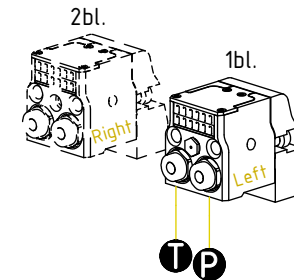
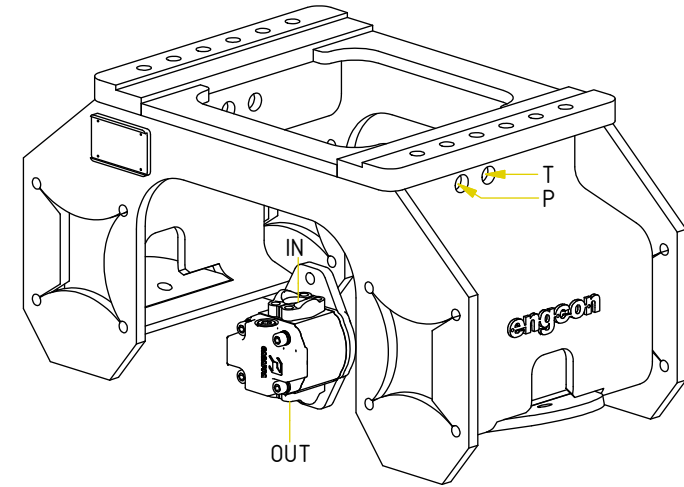
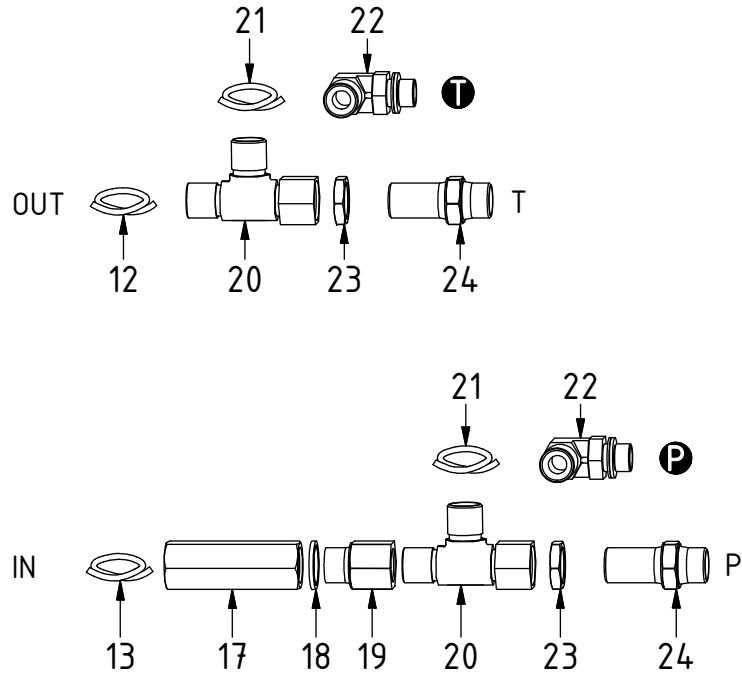
POS	DESCRIPTION	PART	QTY	COMMENTS
1	Main frame PC3200	1060435	1	
2	Rubber TP120	640303	2	
3	Washer BRB 17x30x3	611009	2	
4	Lock Nut M6M M16x2 8,8 FZB	610926	2	
5	Damper	640301	4	
6	Screw M6S M12x40 8,8 FZB	610476	40	
7	Washer BRB 13x24x2,5 200 HV FZB	611007	80	
8	Lock Nut M6M M12x1,75 8,8 FZB	610924	40	
9	Hydraulic motor 14CC	7000475	1	
10	Screw M6S M14x40 10.9 untreated	6000284	2	
11	O-ring 24,99x3,53 nitrile 3/4"	710935	2	
14	Flange half 3/4" 3000PSI	711085	4	
15	Washer NL 10mm	611041	8	
16	Screw MC6S M10x30 12.9 Geomet	612018	8	
25	Generator PC3200	1060377	1	
26	Screw MC6S M16x200 12.9	6000390	4	
27	Lower part PC3200	1060434	1	
28	Cover	1059287	2	

EC-Oil

ECO45 W:

POS	DESCRIPTION	PART	QTY	COMMENTS
12	Hose T		1	
13	Hose P		1	
17	Flow Valve PC3200	7001839	1	
18	Washer GBR08 1/2	710704	1	
19	Adapter 236-08-08	710132	1	
20	Adapter 855-08-08 (1/2")	7000175	2	
21	Hose EC-Oil	7001861	2	
22	Adapter 401-08-06 90° (1/2"-3/8")	7000233	2	
23	Counternut 1270-08 (1/2")	710254	2	
24	Adapter 1260-08-08 (1/2")	710244	2	

POS in order of assembly



EC045 W:

POS	DESCRIPTION	PART	QTY	COMMENTS
12	Hose T		1	
13	Hose P		1	
21	Hose EC-Oil	7001861	2	

POS in order of assembly

