

Planned document changes:

Briefly:

No planned changes.

Document changes:

| Date: | Change: | Rev. after change: |
|--------------|------------------------------|-------------------------------|
| 2024-05-10 | Part no for motor corrected. | B |
| 2024-03-27 | Part nos for hoses added. | A |
| 2023-11-15 | New document. | - |

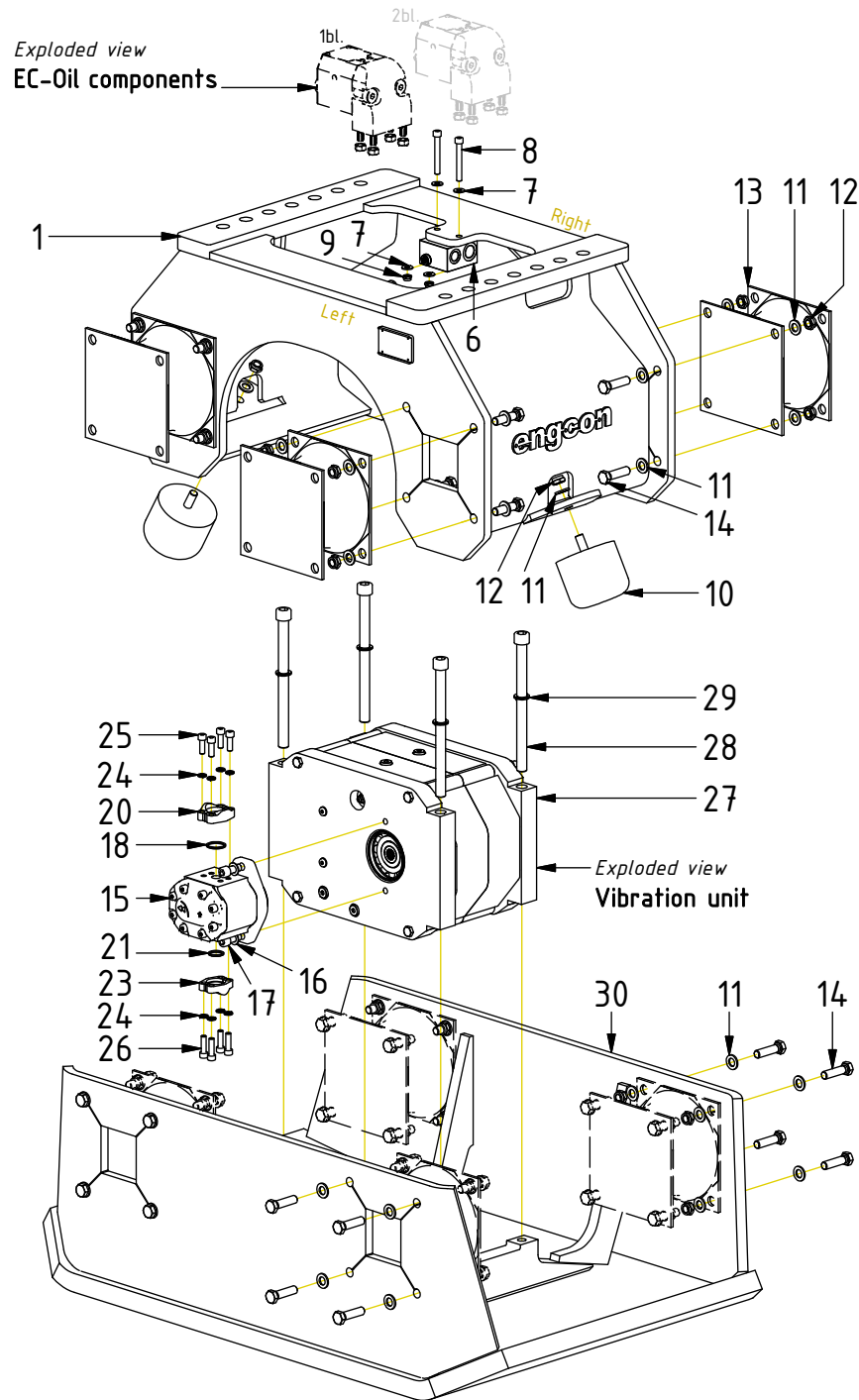
Readers note:

Indicates instruction.



Represents Hose.

Dashed lines for overview, mounts
on other pages/assemblies.

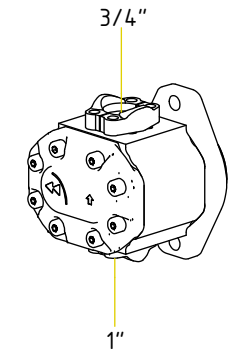
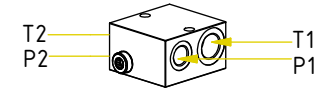
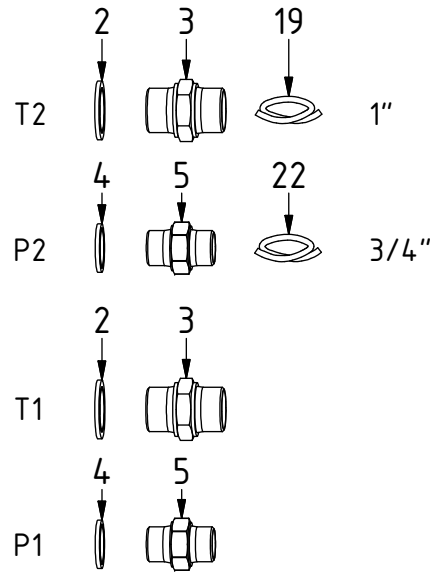


| POS | DESCRIPTION | PART | QTY | COMMENTS |
|-----|---------------------------------|---------|-----|----------|
| 1 | Main frame PC9500 | 1062234 | 1 | |
| 6 | Valve block | 7001503 | 1 | |
| 7 | Washer BRB 10,5x22x2 200 HV FZB | 611006 | 4 | |
| 8 | Screw MC6S M10x80 12.9 | 610463 | 2 | |
| 9 | Lock Nut M6M M10x1,5 8,8 FZB | 610923 | 2 | |
| 10 | Rubber 77-GP-1G-125100 | 6000239 | 2 | |
| 11 | Washer BRB 17x30x3 | 611009 | 66 | |
| 12 | Lock Nut M6M M16x2 8,8 FZB | 610926 | 34 | |
| 13 | Damper | 640302 | 4 | |
| 14 | Screw M6S M16x60 8,8 FZB | 610214 | 32 | |
| 15 | Hydraulic motor PC9500 | 7001805 | 1 | |
| 16 | Washer BRB FZB 15x26x2 | 611008 | 2 | |
| 17 | Screw MC6S 14x35 12.9 | 610502 | 2 | |
| 18 | O-ring 32,93x3,53 nitrile 1" | 710936 | 1 | |
| 20 | Flange half 1" 3000PSI | 7001080 | 2 | |
| 21 | O-ring 24,99x3,53 nitrile 3/4" | 710935 | 1 | |
| 23 | Flange half 3/4" 3000PSI | 711085 | 2 | |
| 24 | Washer NL 10mm | 611041 | 8 | |
| 25 | Screw MC6S M10x30 12.9 Geomet | 612018 | 4 | |
| 26 | Screw MC6S M10x35 12.9 Geomet | 612019 | 4 | |
| 27 | Generator PC9500 (with motor) | 1059989 | 1 | |
| 28 | Screw MC6S M20x270 12.9 | 6000332 | 4 | |
| 29 | Washer NL 20mm | 611098 | 4 | |
| 30 | Lower part PC9500 | 1060001 | 1 | |

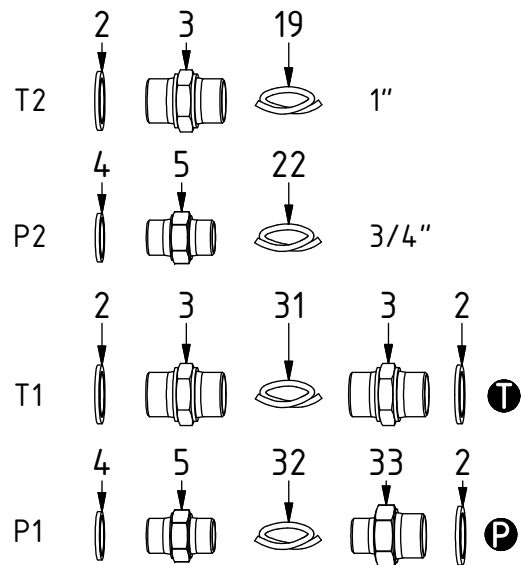
POS in order of assembly

| POS | DESCRIPTION | PART | QTY | COMMENTS |
|-----|-------------------------------|---------|-----|-------------------|
| 2 | Washer GBR12 3/4 | 710706 | 2 | QTY: 4 for EC-Oil |
| 3 | Adapter 136-12-12 (3/4") | 710126 | 2 | QTY: 3 for EC-Oil |
| 4 | Washer GBR08 1/2 | 710704 | 2 | |
| 5 | Adapter 136-08-08 (1/2") | 710108 | 2 | |
| 19 | Hose T | 7001833 | 1 | |
| 22 | Hose P | 7001832 | 1 | |
| 31 | Hose EC-Oil T 3/4" | 7001835 | 1 | |
| 32 | Hose EC-Oil P 1/2" | 7001834 | 1 | |
| 33 | Adapter 135-08-12 (1/2"-3/4") | 710109 | 1 | |

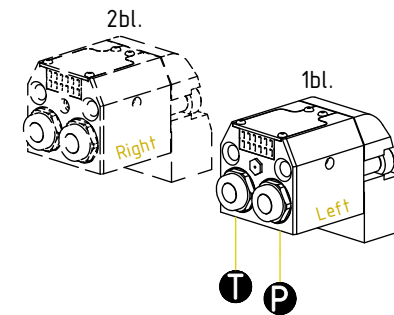
POS in order of assembly



ECO70 W:



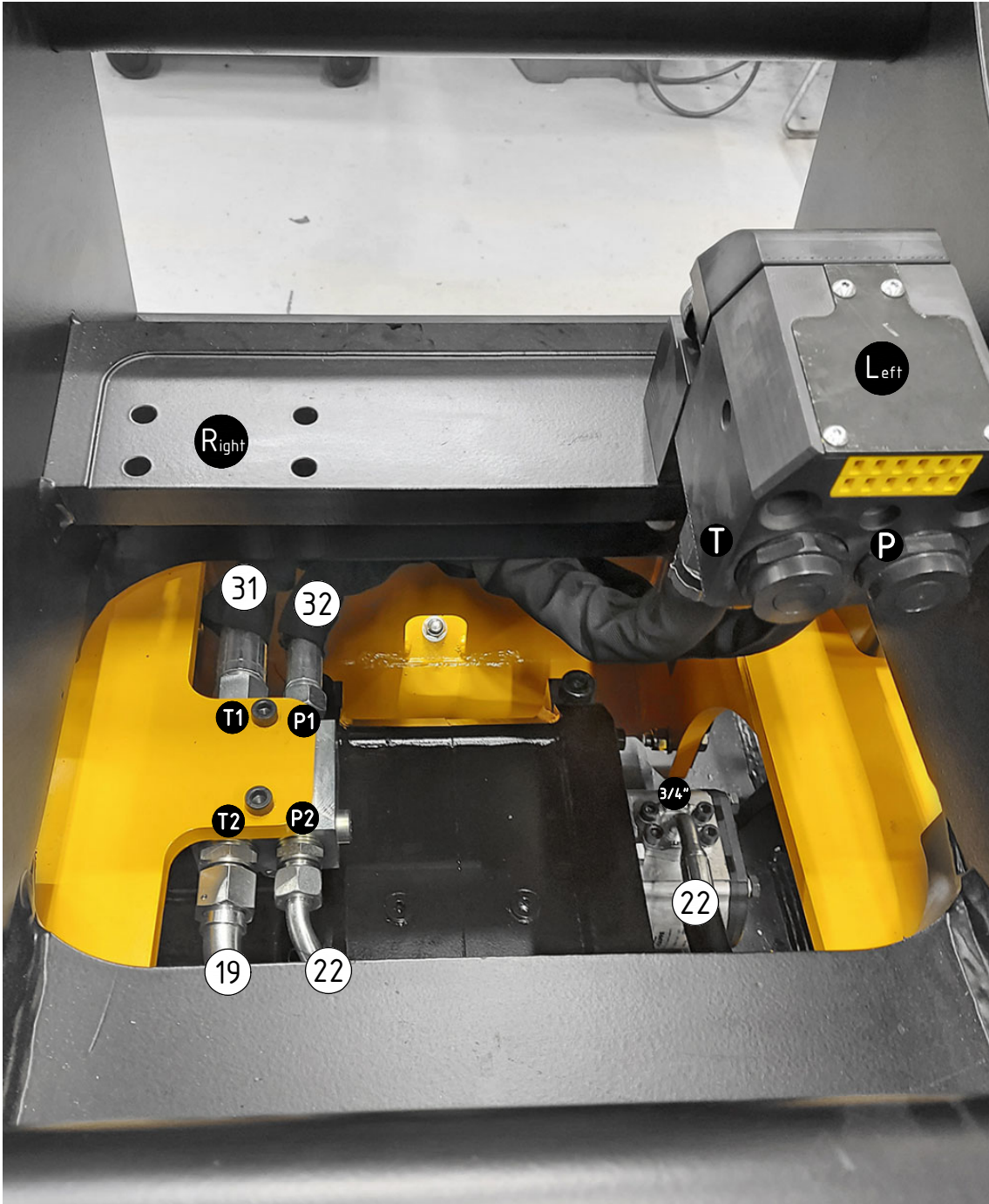
EC-Oil:



EC070 W:

| POS | DESCRIPTION | PART | QTY | COMMENTS |
|-----|--------------------|---------|-----|----------|
| 19 | Hose T | 7001833 | 1 | |
| 22 | Hose P | 7001832 | 1 | |
| 31 | Hose EC-Oil T 3/4" | 7001835 | 1 | |
| 32 | Hose EC-Oil P 1/2" | 7001834 | 1 | |

POS in order of assembly



Without EC-Oil:

