

## Planned document changes:

## Briefly:

2024-04-10. Correct part no for POS.15: 7001805.

## Document changes:

Date:	Change:	Rev. after change:
2024-03-27	Part nos for hoses added.	A
2023-11-15	New document.	-

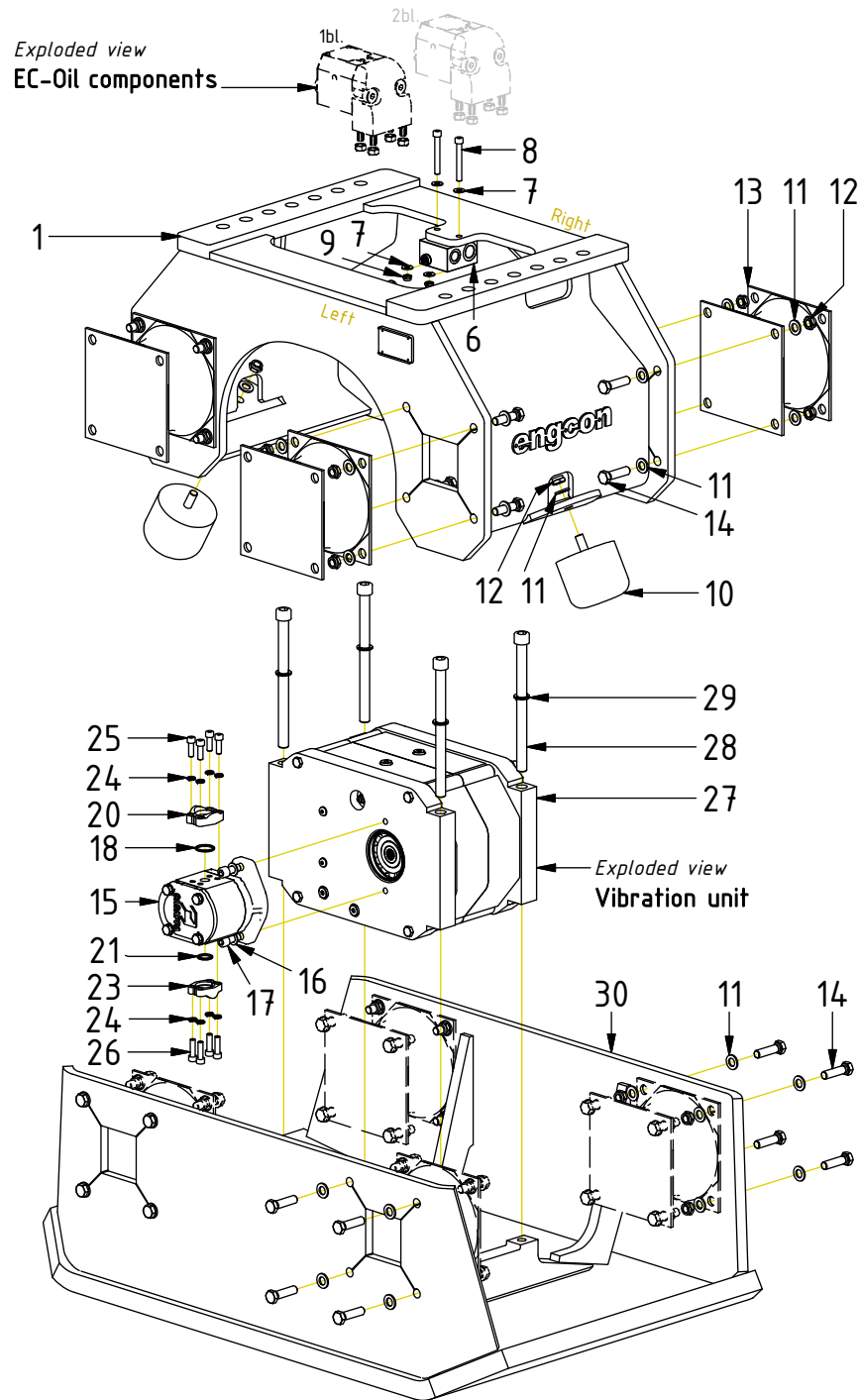
*Readers note:*

Indicates instruction.



Represents Hose.

Dashed lines for overview, mounts  
on other pages/assemblies.

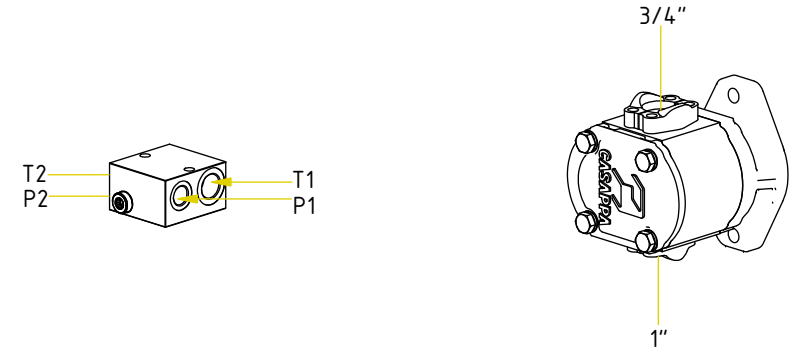
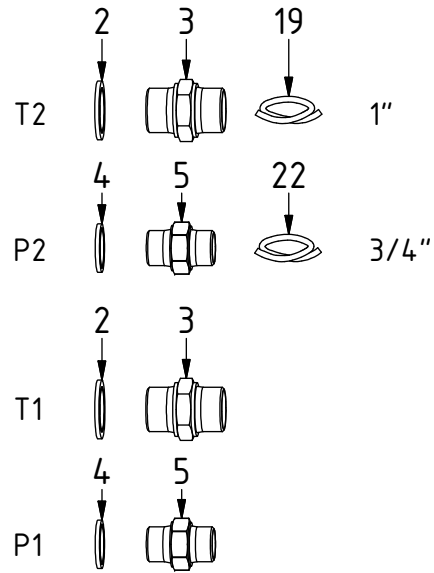


POS	DESCRIPTION	PART	QTY	COMMENTS
1	Main frame PC9500	1062234	1	
6	Valve block	7001503	1	
7	Washer BRB 10,5x22x2 200 HV FZB	611006	4	
8	Screw MC6S M10x80 12.9	610463	2	
9	Lock Nut M6M M10x1,5 8,8 FZB	610923	2	
10	Rubber 77-GP-1G-125100	6000239	2	
11	Washer BRB 17x30x3	611009	66	
12	Lock Nut M6M M16x2 8,8 FZB	610926	34	
13	Damper	640302	4	
14	Screw M6S M16x60 8,8 FZB	610214	32	
15	Hydraulic motor PC9500	7001501	1	
16	Washer BRB FZB 15x26x2	611008	2	
17	Screw MC6S 14x35 12.9	610502	2	
18	O-ring 32,93x3,53 nitrile 1"	710936	1	
20	Flange half 1" 3000PSI	7001080	2	
21	O-ring 24,99x3,53 nitrile 3/4"	710935	1	
23	Flange half 3/4" 3000PSI	711085	2	
24	Washer NL 10mm	611041	8	
25	Screw MC6S M10x30 12.9 Geomet	612018	4	
26	Screw MC6S M10x35 12.9 Geomet	612019	4	
27	Generator PC9500 (with motor)	1059989	1	
28	Screw MC6S M20x270 12.9	6000332	4	
29	Washer NL 20mm	611098	4	
30	Lower part PC9500	1060001	1	

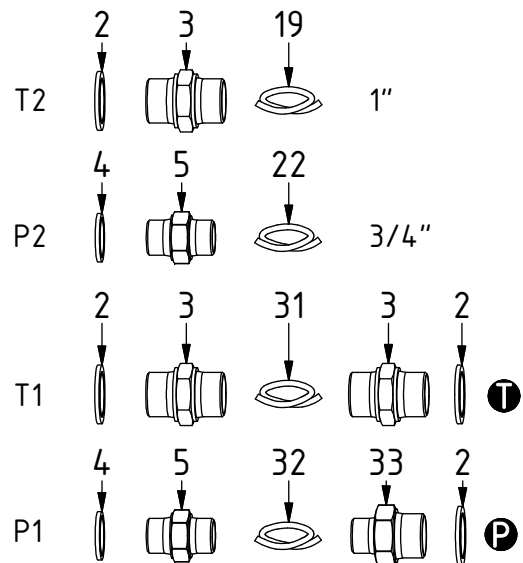
POS in order of assembly

POS	DESCRIPTION	PART	QTY	COMMENTS
2	Washer GBR12 3/4	710706	2	QTY: 4 for EC-Oil
3	Adapter 136-12-12 (3/4")	710126	2	QTY: 3 for EC-Oil
4	Washer GBR08 1/2	710704	2	
5	Adapter 136-08-08 (1/2")	710108	2	
19	Hose T	7001833	1	
22	Hose P	7001832	1	
31	Hose EC-Oil T 3/4"	7001835	1	
32	Hose EC-Oil P 1/2"	7001834	1	
33	Adapter 135-08-12 (1/2"-3/4")	710109	1	

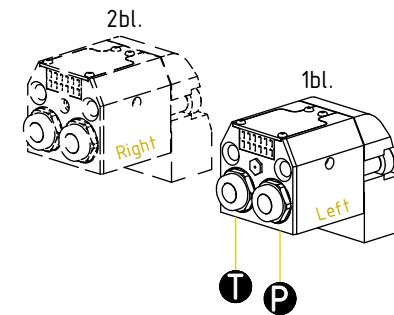
POS in order of assembly



ECO70 W:



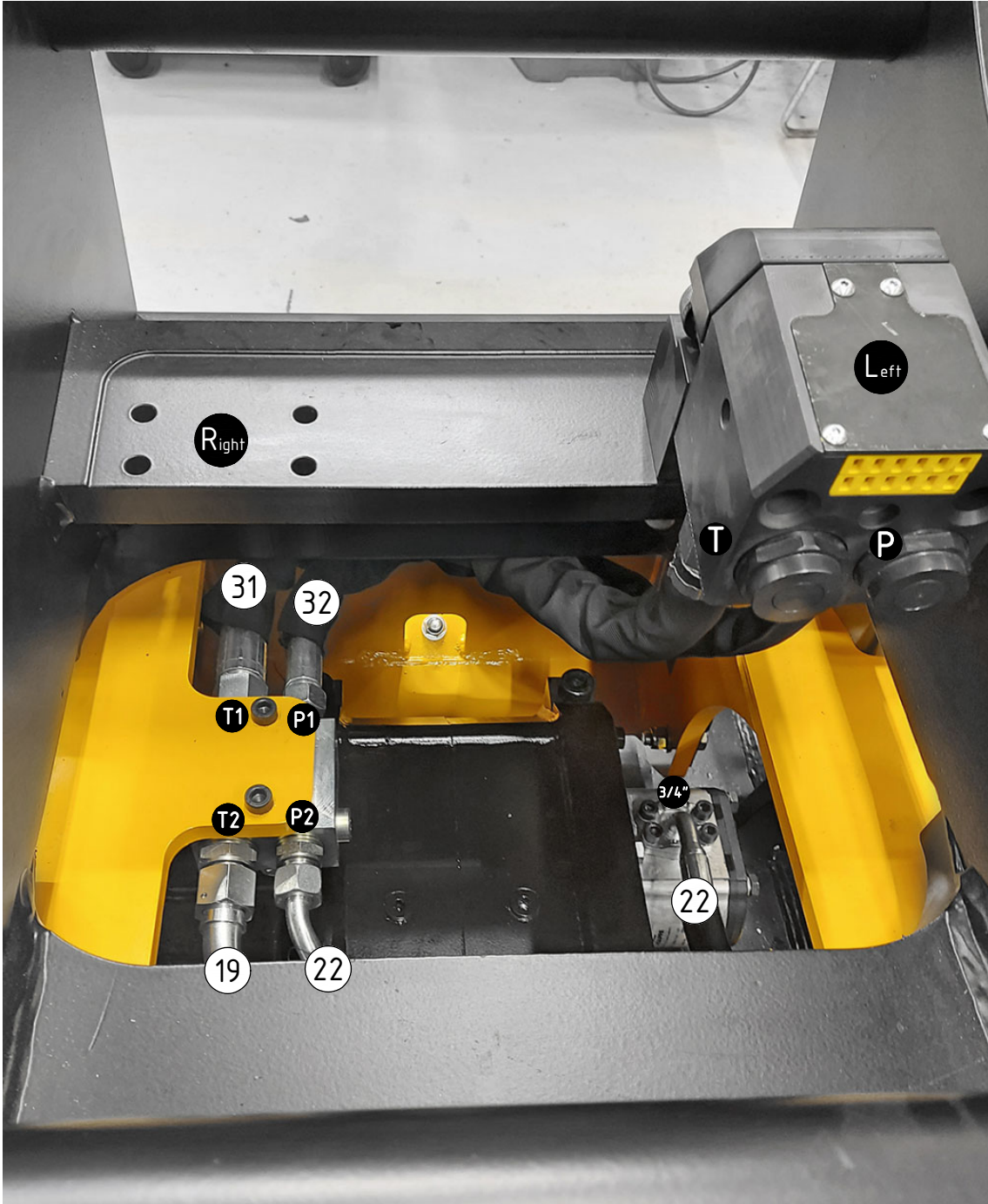
EC-Oil:



EC070 W:

POS	DESCRIPTION	PART	QTY	COMMENTS
19	Hose T	7001833	1	
22	Hose P	7001832	1	
31	Hose EC-Oil T 3/4"	7001835	1	
32	Hose EC-Oil P 1/2"	7001834	1	

POS in order of assembly



Without EC-Oil:

