

## COVERSHEET



## Planned document changes:

**Briefly:**

No planned changes.

## Document changes:

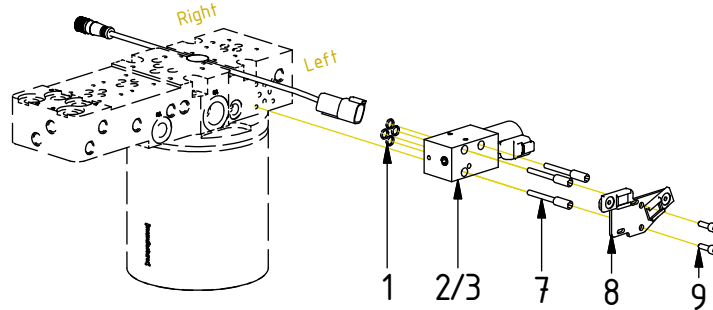
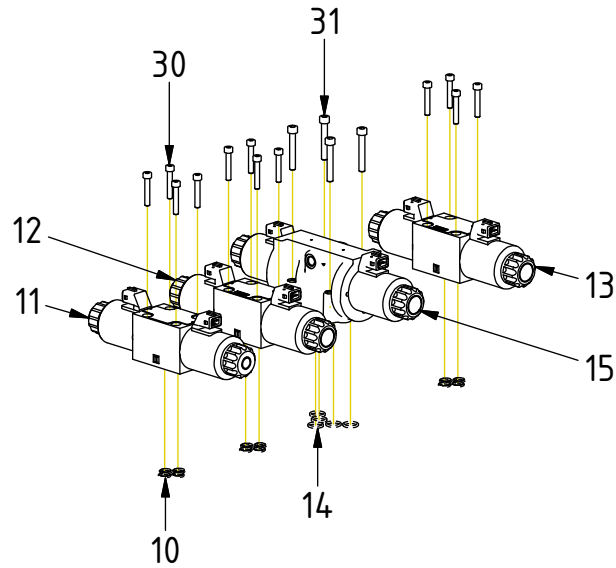
Date:	Change:	Rev. after change:
2024-05-22	Valves for EC214 updated.	A
2023-10-30	New document.	-

*Readers note:* Indicates instruction. Represents Hose.

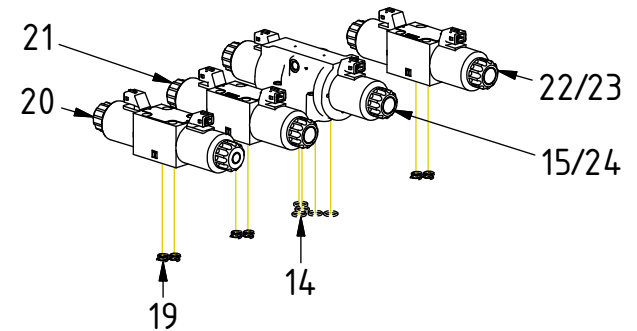
Dashed lines for overview, mounts  
on other pages/assemblies.

EC214, EC219, EC226, EC233

POS	DESCRIPTION	PART	QTY	COMMENTS
1	O-ring 7,65x1,78	710960	4	
2	Directional valve NG4 IQS 12V DT	1042047	1	(POS.1, 4, 6 incl.)
3	Directional valve NG4 IQS 24V DT	1042190	1	(POS.1, 5, 6 incl.)
4	Coil IQS 12V DT	1042065	1	
5	Coil IQS 24V DT	1042066	1	
6	Nut 1270-04	710250	1	
7	Valve spacer M5x39	1047243	3	Torque: 9,7Nm
8	Mounting plate-2x Deutsch NG4	1059664	1	
9	Screw MC6S M5x16 12.9	610401	2	Torque: 9,7Nm
10	O-ring 9,25x1,78	710901	12	
11	Directional valve prop 12V open T	7000092	1	EC219-233 (POS.10, 16, 18 incl.)
12	Directional valve prop 12V	730190	1	EC219-233 (POS.10, 16, 18 incl.)
13	Directional valve NG6 24V	730103	1	EC219-233 (POS.10, 17, 18 incl.)
14	O-ring square 12,42x1,68	750704	5	
15	Directional valve NG10 24V	730339	1	(POS.14, 17, 18 incl.)
16	Coil 12V prop JT	730192	4	
17	Coil 24V JT	730118	4	QTY: 2 for EC214
18	Nut directional valve	730135	8	QTY: 2 for EC214
19	O-ring 8,75x1,78	710959	12	
20	Directional valve prop 12V open T	7001615	1	EC214 (POS.19, 26, 29 incl.)
21	Directional valve prop 12V	7001614	1	EC214 (POS.19, 26, 29 incl.)
22	Directional valve NG6 24V	7001616	1	EC214 (POS.19, 27, 29 incl.)
23	Directional valve NG6 12V	7001617	1	EC214 (POS.19, 28, 29 incl.)
24	Directional valve NG10 12V	730340	1	EC214 (POS.14, 25, 18 incl.)
25	Coil 12V JT	730117	2	
26	Coil NG6 12V prop JT ATOS	7001734	4	
27	Coil NG6 24V JT ATOS	7001736	2	
28	Coil NG6 12V JT ATOS	7001735	2	
29	Nut directional valve ATOS	7001887	6	
30	Screw MC6S M5x30 12.9	610403	12	Torque: 9,7Nm
31	Screw MC6S M6x40 12.9	610418	4	Torque: 17Nm



EC214 Valves:



POS in order of assembly

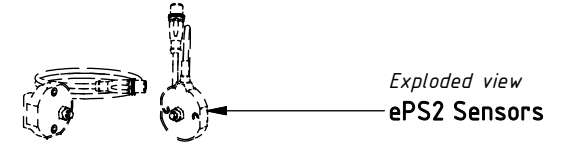
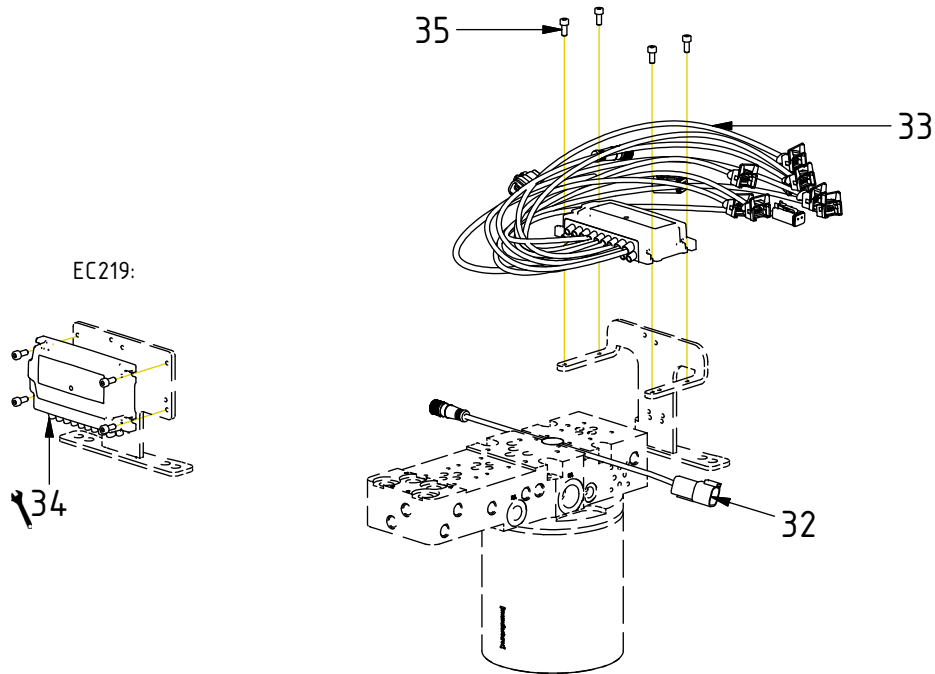
# Std. Valves & cables - DC3

Cables

EC214, EC219, EC226, EC233

POS	DESCRIPTION	PART	QTY	COMMENTS
32	Q-Safe connector			
33	Tiltrotator module DC3 EC2	8001834	1	
34	EC219: module turned 90° Cables assy. remains the same			
35	Screw MC6S M5x12 12.9	6000077	8	

POS in order of assembly



## Cables

EC214, EC219, EC226, EC233

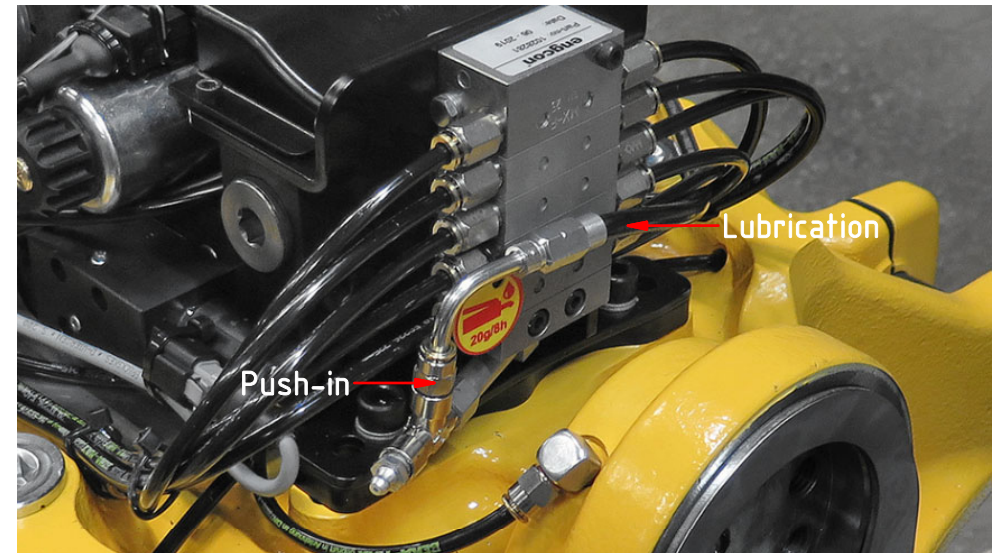
POS	DESCRIPTION	PART	QTY	COMMENTS
32	Q-Safe connector			
33	Tiltrotator module DC3 EC2	8001834	1	
34	EC219: module turned 90° Cables assy. remains the same			
36	Protection plug DTM	8000090	1	
●	Use cable ties			

POS in order of assembly

Photo needed:  
Preferably without valves to see cabling  
& connectors from DC3-box & ECO cable

Photo needed:  
Overview of cables and cable ties when  
assembled correctly

Lubrication



## Valves

EC214, EC219, EC226, EC233

POS	DESCRIPTION	PART	QTY	COMMENTS
34	EC219: module turned 90° Cables assy. remains the same			



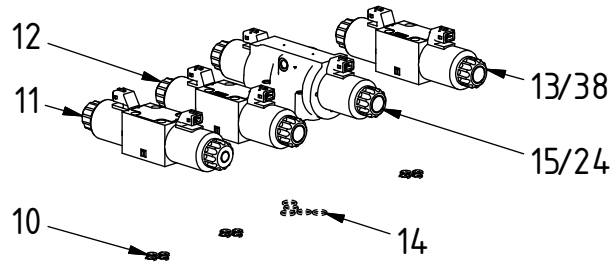
POS in order of assembly

## SPARE PARTS

POS	DESCRIPTION	PART	QTY	COMMENTS
10	O-ring 9,25x1,78	710901	12	
11	Directional valve prop 12V open T	7000092	1	EC219-233 (POS.10, 16, 18 incl.)
12	Directional valve prop 12V	730190	1	EC219-233 (POS.10, 16, 18 incl.)
13	Directional valve NG6 24V	730103	1	EC219-233 (POS.10, 17, 18 incl.)
14	O-ring square 12,42x1,68	750704	5	
15	Directional valve NG10 24V	730339	1	(POS.14, 17, 18 incl.)
16	Coil 12V prop JT	730192	4	
17	Coil 24V JT	730118	4	
18	Nut directional valve	730135	8	
24	Directional valve NG10 12V	730340	1	EC214 (POS.14, 25, 18 incl.)
25	Coil 12V JT	730117	2	
38	Directional valve NG6 12V	730101	1	EC214 (POS.10, 25, 18 incl.)

POS in order of assembly

EC214 until 2024-05



o-rings, coils, & nuts are not compatible between valve brands