

COVERSHEET

Planned document changes:

Briefly:

No planned changes.

Document changes:

Date:	Change:	Rev. after change:
2023-10-30	New document.	-

Readers note:



Indicates instruction.

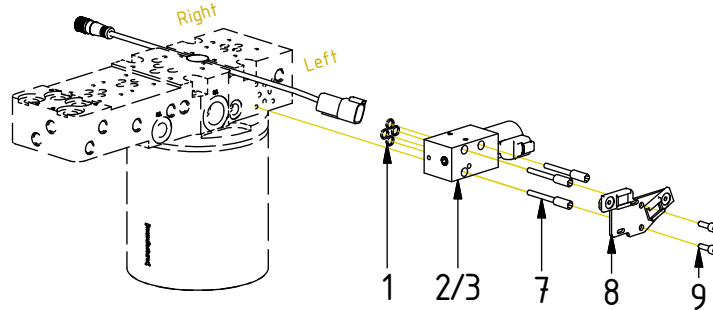
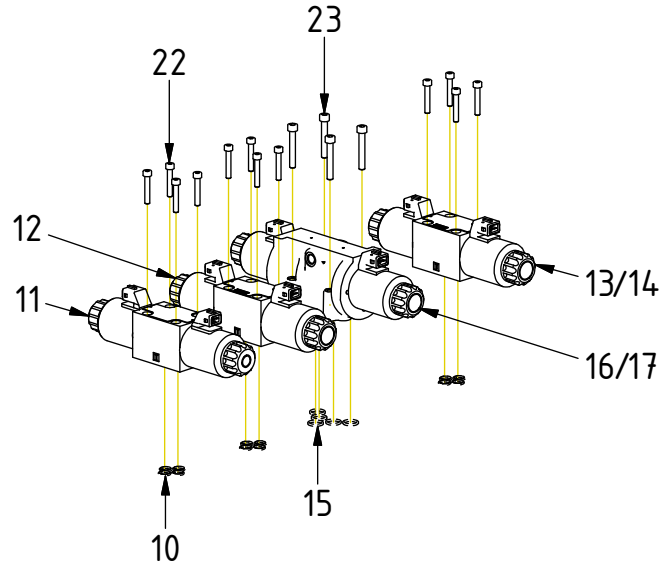


Represents Hose.

Dashed lines for overview, mounts
on other pages/assemblies.

EC214, EC219, EC226, EC233

POS	DESCRIPTION	PART	QTY	COMMENTS
1	O-ring 7,65x1,78	710960	4	
2	Directional valve NG4 IQS 12V DT	1042047	1	(POS.1, 4, 6 incl.)
3	Directional valve NG4 IQS 24V DT	1042190	1	(POS.1, 5, 6 incl.)
4	Coil IQS 12V DT	1042065	1	
5	Coil IQS 24V DT	1042066	1	
6	Nut 1270-04	710250	1	
7	Valve spacer M5x39	1047243	3	Torque: 9,7Nm
8	Mounting plate-2x Deutsch NG4	1059664	1	
9	Screw MC6S M5x16 12.9	610401	2	Torque: 9,7Nm
10	O-ring 9,25x1,78	710901	12	
11	Directional valve prop 12V open T	7000092	1	(POS.10, 18, 21 incl.)
12	Directional valve prop 12V	730190	1	(POS.10, 18, 21 incl.)
13	Directional valve NG6 12V	730101	1	(POS.10, 19, 21 incl.)
14	Directional valve NG6 24V	730103	1	(POS.10, 20, 21 incl.)
15	O-ring square 12,42x1,68	750704	5	
16	Directional valve NG10 12V	730340	1	(POS.15, 19, 21 incl.)
17	Directional valve NG10 24V	730339	1	(POS.15, 20, 21 incl.)
18	Coil 12V prop JT	730192	4	
19	Coil 12V JT	730117	4	
20	Coil 24V JT	730118	4	
21	Nut directional valve	730135	8	
22	Screw MC6S M5x30 12.9	610403	12	Torque: 9,7Nm
23	Screw MC6S M6x40 12.9	610418	4	Torque: 17Nm



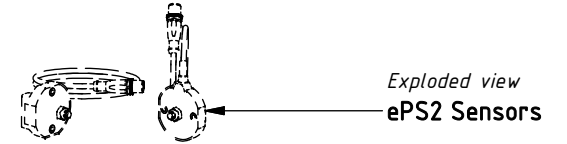
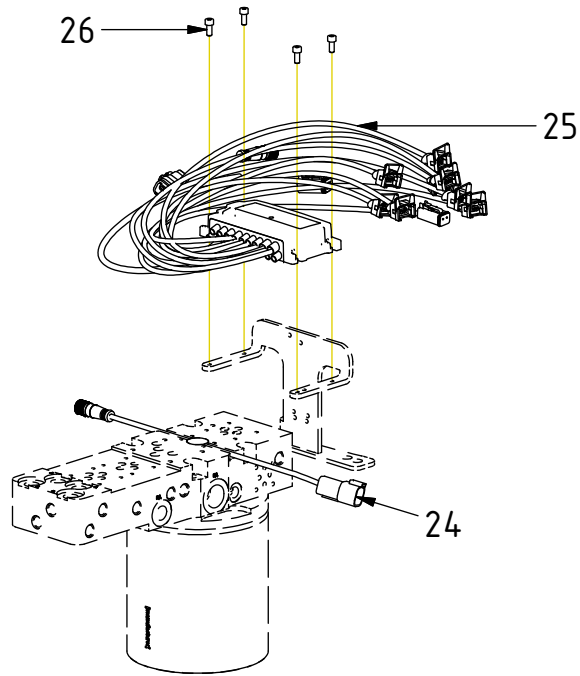
POS in order of assembly

Cables

EC214, EC219, EC226, EC233

POS	DESCRIPTION	PART	QTY	COMMENTS
24	Q-Safe connector			
25	Tiltrotator module DC3 EC2	8001834	1	
26	Screw MC6S M5x12 12.9	6000077	4	

POS in order of assembly



Cables

EC214, EC219, EC226, EC233

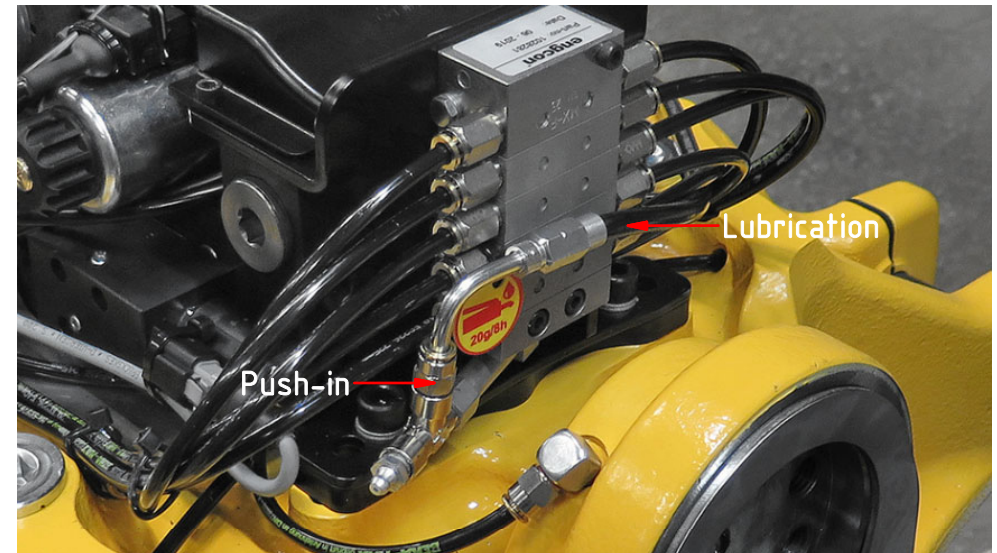
POS	DESCRIPTION	PART	QTY	COMMENTS
24	Q-Safe connector			
25	Tiltrotator module DC3 EC2	8001834	1	
27	Protection plug DTM	8000090	1	
●	Use cable ties			

POS in order of assembly

Photo needed:
Preferably without valves to see cabling
& connectors from DC3-box & ECO cable

Photo needed:
Overview of cables and cable ties when
assembled correctly

Lubrication



Valves

EC214, EC219, EC226, EC233 POS

DESCRIPTION

PART

QTY

COMMENTS



Photo needed:
DC3-box connected to valves,
valve functions (TILT, ROT., EXT., EXT./GR, LOCK)

POS in order of assembly