

Planned document changes:

Briefly:

No planned changes.

Document changes:

Date:	Change:	Rev. after change:
2024-03-08	Link bushings added.	A
2023-09-28	New document.	-

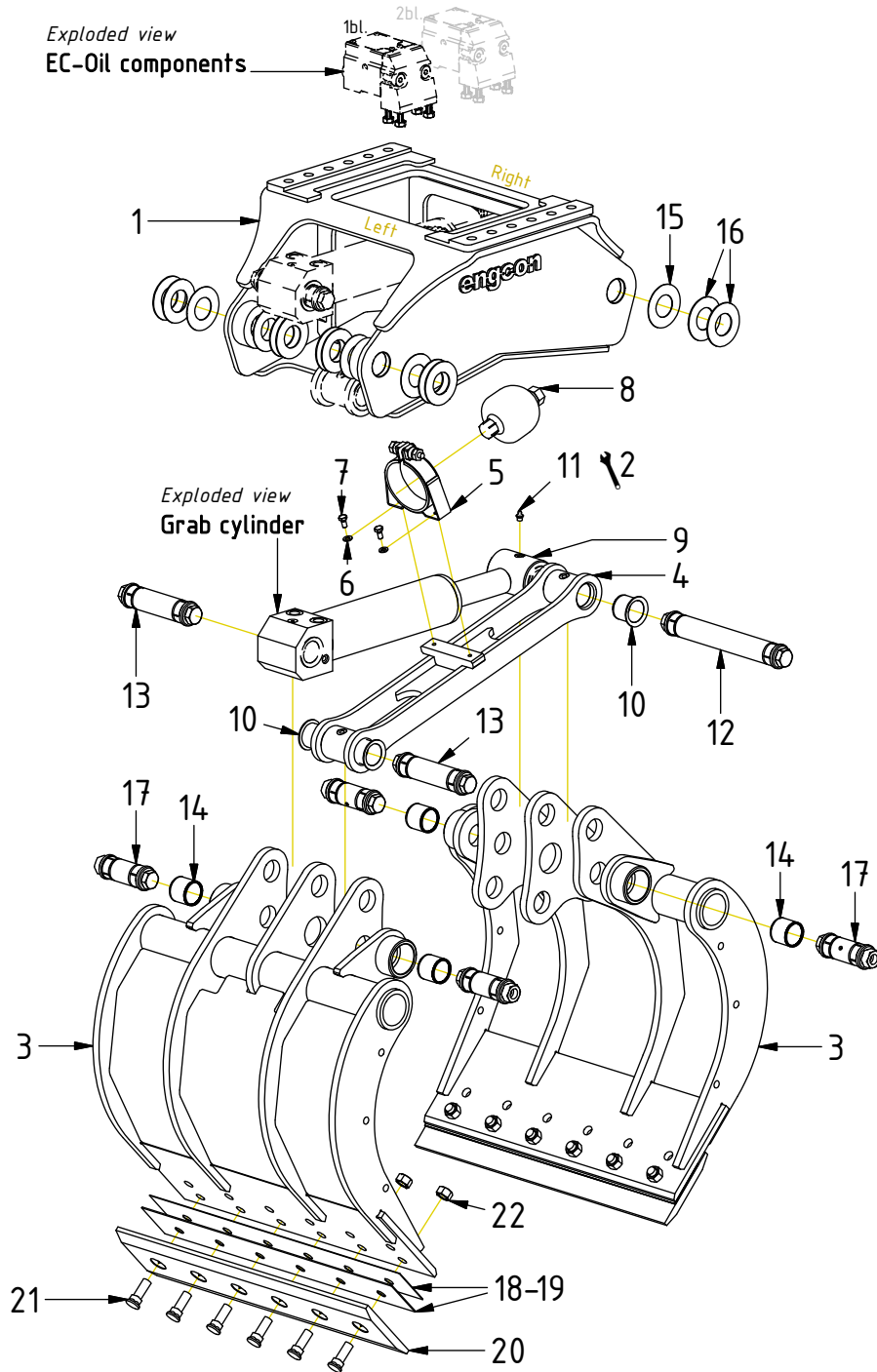
Readers note:

Indicates instruction.



Represents Hose.

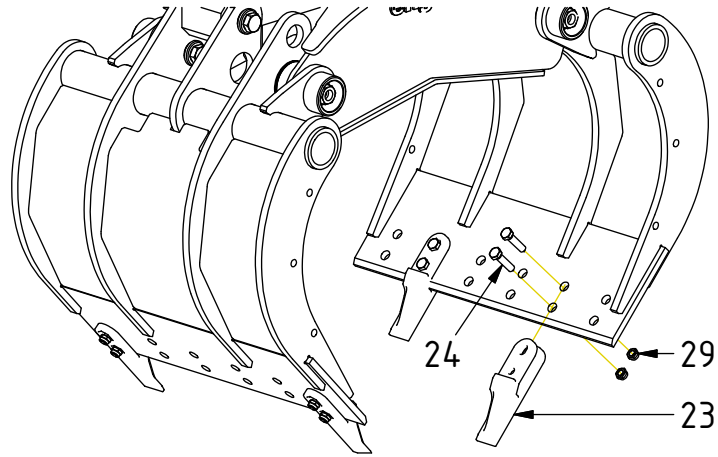
Dashed lines for overview, mounts
on other pages/assemblies.



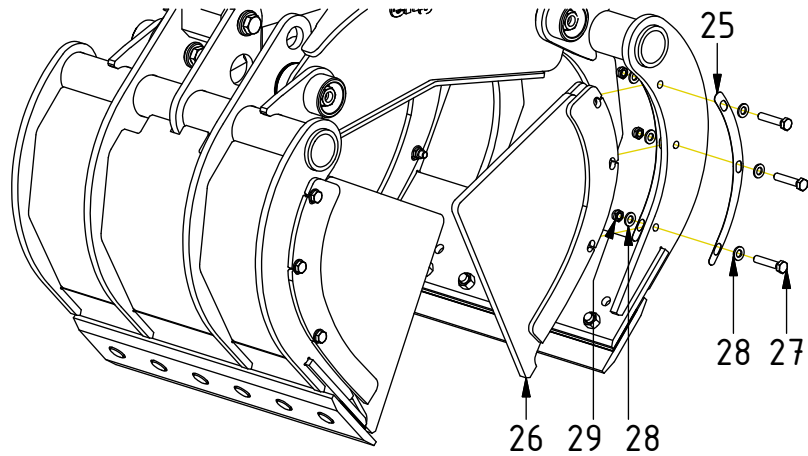
POS	DESCRIPTION	PART	QTY	COMMENTS
1	Main frame SG09	1072965	1	
2	Fill lubrication points with grease			
3	Grab arm SG09	1073027	2	
4	Link SG09	1073066	1	
5	Clamp Bracket	790103	1	
6	Washer BRB 8,4x16x1,6 200 HV FZB	611005	2	
7	Screw M6S M8x16 8,8 FZB	610122	2	
8	Accumulator	790102	1	
9	Cylinder SG12	1073101	1	
10	Bushing 40/44/55x40	630404	4	
11	Grease Nipple	711403	2	
12	Expander axle Ø40 L255 SG09	1073133	1	Torque: 350Nm
13	Expander axle Ø40 L135 SG09	1073136	2	Torque: 350Nm
14	Bushing WB802 40/45x40	630313	4	
15	Shim 1mm	1024930	8	Use if required
16	Shim 50x40x2	1024931	16	Use if required
17	Expander axle Ø40 L80 SG09	1073139	4	Torque: 350Nm
18	Shim SG09 Cutting edge 2mm	1073057	2	Use if required
19	Shim SG09 Cutting edge 1mm	1073054	2	Use if required
20	Cutting edge	1073053	2	
21	Cutting steel bolt UNC 5/8"x52 12.9	660406	12	
22	Nut UNC 5/8"	660407	12	

POS	DESCRIPTION	PART	QTY	COMMENTS
23	Tooth	660102	4	
24	Screw M6S M12x50 10.9 untreated	610168	8	
25	SG09 Sideplate spacer	1073304	8	
26	SG09 Side plate	1073292	4	
27	Screw M6S M12x60 8,8 FZB	610170	12	
28	Washer BRB 13x24x2,5 200 HV FZB	611007	24	
29	Lock Nut M6M M12x1,75 8,8 FZB	610924	8	QTY: 12 for sideplates

With teeth:



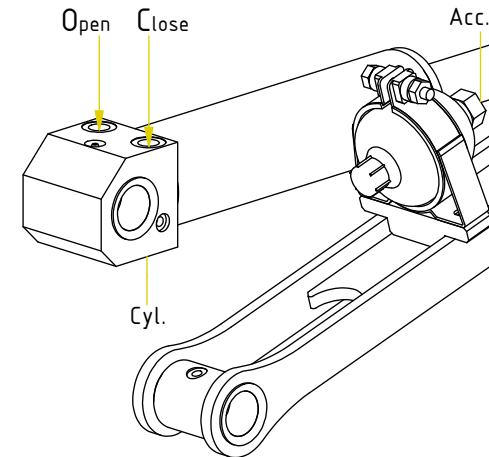
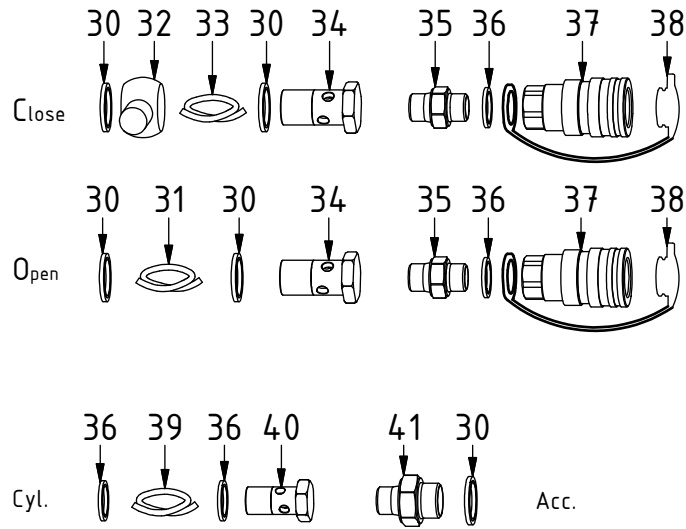
With closed sideplates:



Without EC-Oil

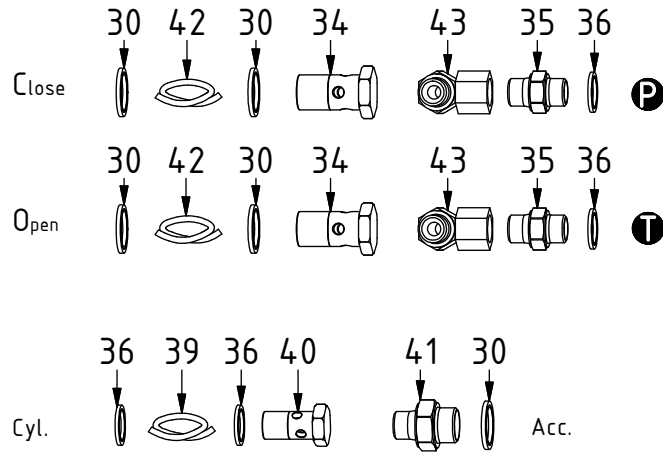
POS	DESCRIPTION	PART	QTY	COMMENTS
30	Washer GBR08 1/2	710704	5	QTY: 7 for ECO60 W
31	Hose Open	740915	1	
32	Adapter 144-08-06	710191	1	
33	Hose Close	740916	1	
34	Banjo bolt 4451-08 (1/2")	710274	2	
35	Adapter 136-06-06 (3/8")	710106	2	
36	Washer GBR06 3/8	710703	4	QTY: 2 for ECO60 W
37	Quick coupler 3/8" 3810	790112	2	
38	Dust protection 3/8" female	790117	2	
39	Hose cyl. acc.	7001900	1	
40	Banjo bolt 4451-06 (3/8")	710272	1	
41	Adapter 135-06-08	710122	1	QTY: 3 for ECO60 W

POS in order of assembly

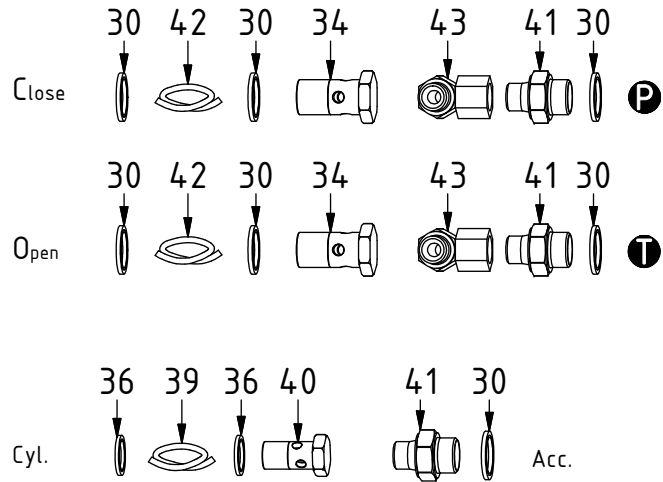


EC-Oil

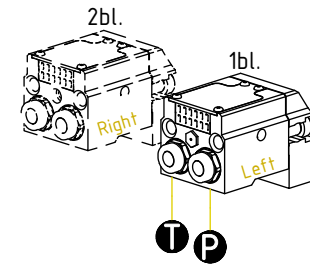
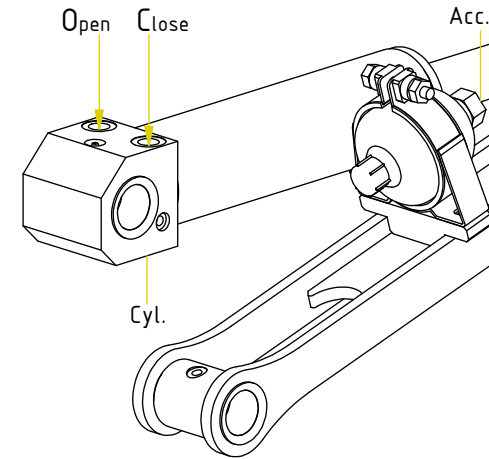
ECO45/50 W:



ECO60 W:

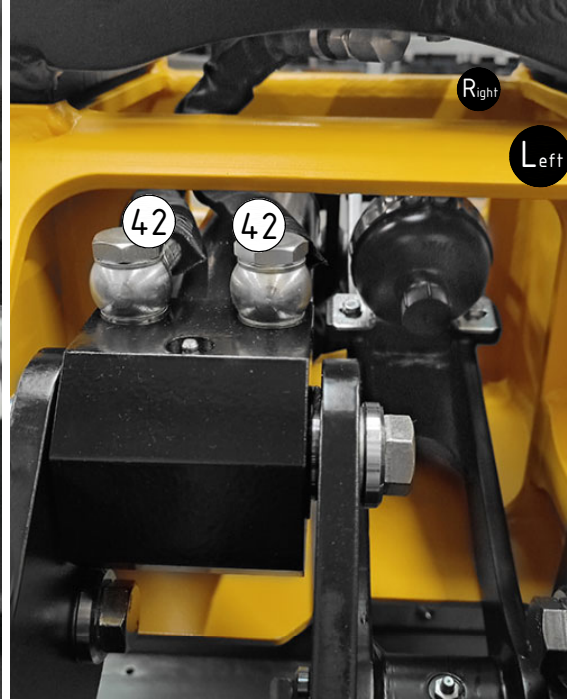
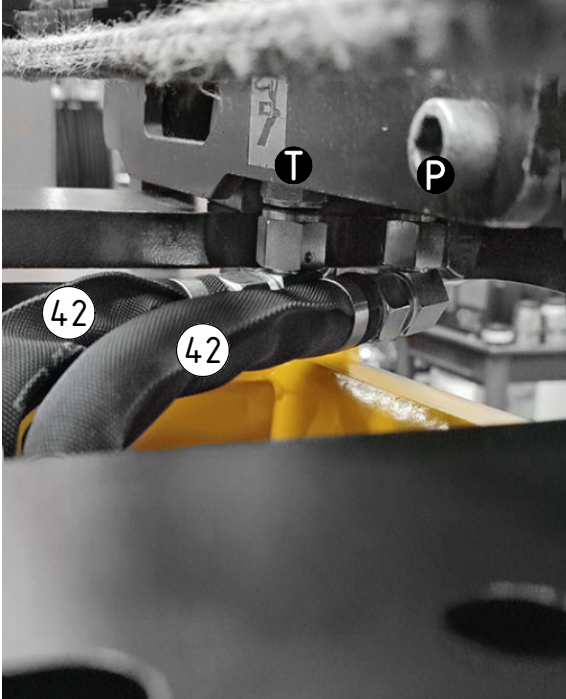


POS	DESCRIPTION	PART	QTY	COMMENTS
30	Washer GBR08 1/2	710704	5	QTY: 7 for ECO60 W
34	Banjo bolt 4451-08 (1/2")	710274	2	
35	Adapter 136-06-06 (3/8")	710106	2	
36	Washer GBR06 3/8	710703	4	QTY: 2 for ECO60 W
39	Hose cyl. acc.	7001900	1	
40	Banjo bolt 4451-06 (3/8")	710272	1	
41	Adapter 135-06-08	710122	1	QTY: 3 for ECO60 W
42	Hose EC-Oil	740702	2	
43	Adapter 090-06-06 90° (3/8")	710216	2	



POS in order of assembly

EC045/50 W:



POS	DESCRIPTION	PART	QTY	COMMENTS
31	Hose Open	740915	1	
33	Hose Close	740916	1	
39	Hose cyl. acc.	7001900	1	
42	Hose EC-Oil	740702	2	

Without ECO:



EC060 W:

