

COVERSHEET

Planned document changes:


Briefly:


No planned changes.

Document changes:

Date:	Change:	Rev. after change:
2024-08-29	Missing washer added.	A
2023-09-21	New document.	-

Readers note:

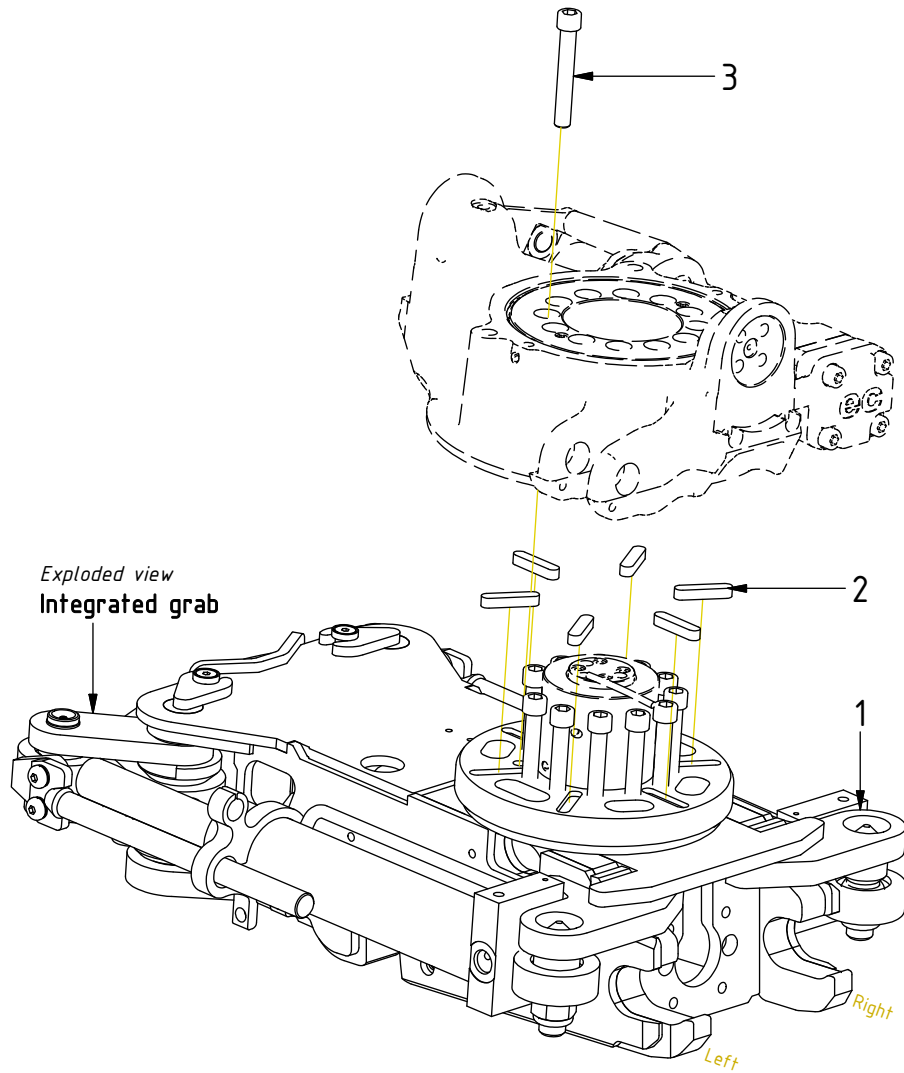
 Indicates instruction.

 Represents Hose.

Dashed lines for overview, mounts
on other pages/assemblies.

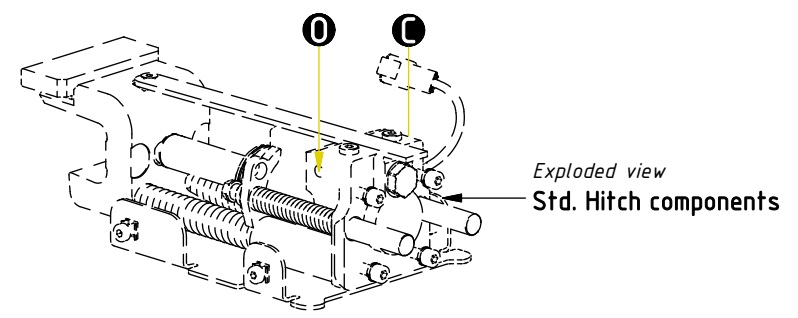
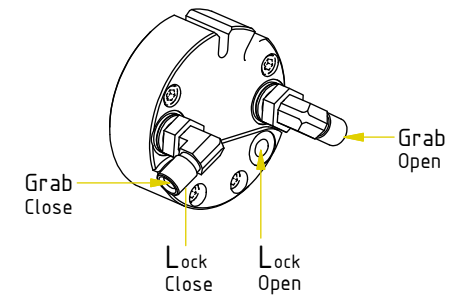
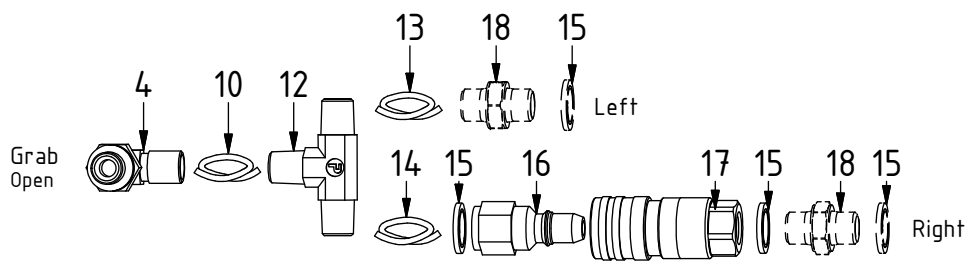
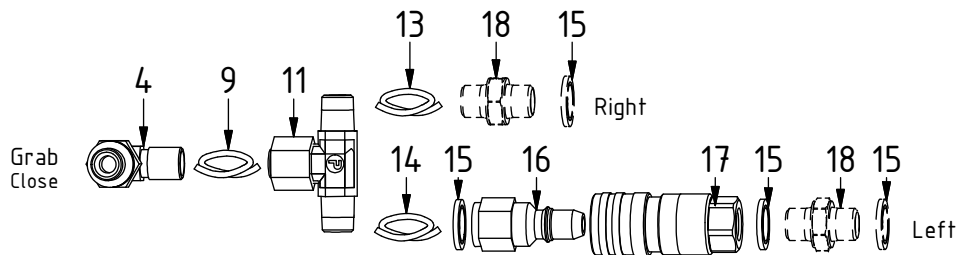
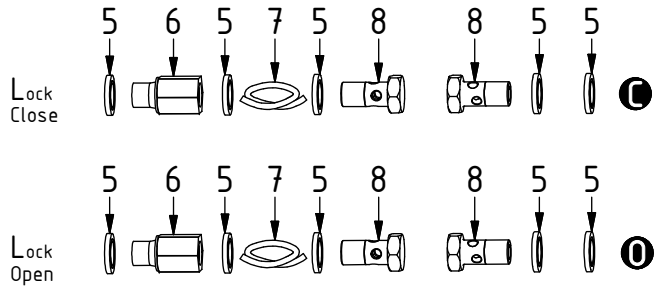
POS	DESCRIPTION	PART	QTY	COMMENTS
1	Quick hitch S40S GR05 EC204 Compl.	1063686	1	
2	Feather Key	650101	6	
3	Screw MC6S M12x80 12.9 ZFSL	6000148	12	Torque: 136Nm

POS in order of assembly



POS	DESCRIPTION	PART	QTY	COMMENTS
4	Adapter 401-04-04 90° (1/4")	710151	2	
5	Washer GBR02 1/8	710701	10	
6	Adapter 236-02-02	710129	2	
7	Hose Lock	7000110	2	
8	Banjo bolt 4451-02 (1/2")	710277	4	
9	Hose Grab Internal Left	7001809	1	
10	Hose Grab Internal Right	7001810	1	
11	Adapter 853-04-99 (1/4")	710184	1	
12	Adapter 851-04-04 (1/4")	7000883	1	
13	Hose Grab Long	7000112	2	
14	Hose Grab Short	7000113	2	
15	Washer GBR04 1/4	710702	8	QTY: 4 part of Integrated grab
16	Quick Coupler 1/4" Male 2520	790111	2	
17	Quick coupler 1/4" 2510 cejn	790110	2	
18	Adapter 138-04-29 (1/4")	710135	4	Part of Integrated grab

POS in order of assembly



POS	DESCRIPTION	PART	QTY	COMMENTS
7	Hose Lock	7000110	2	
9	Hose Grab Internal Left	7001809	1	
10	Hose Grab Internal Right	7001810	1	
13	Hose Grab Long	7000112	2	
14	Hose Grab Short	7000113	2	

