

COVERSHEET

Planned document changes:

Briefly:

No planned changes.

Document changes:

Date:	Change:	Rev. after change:
2024-05-28	Layout/irrelevant.	B
2023-11-27	Photo page removed until assembly verification.	A
2023-09-15	New document.	-

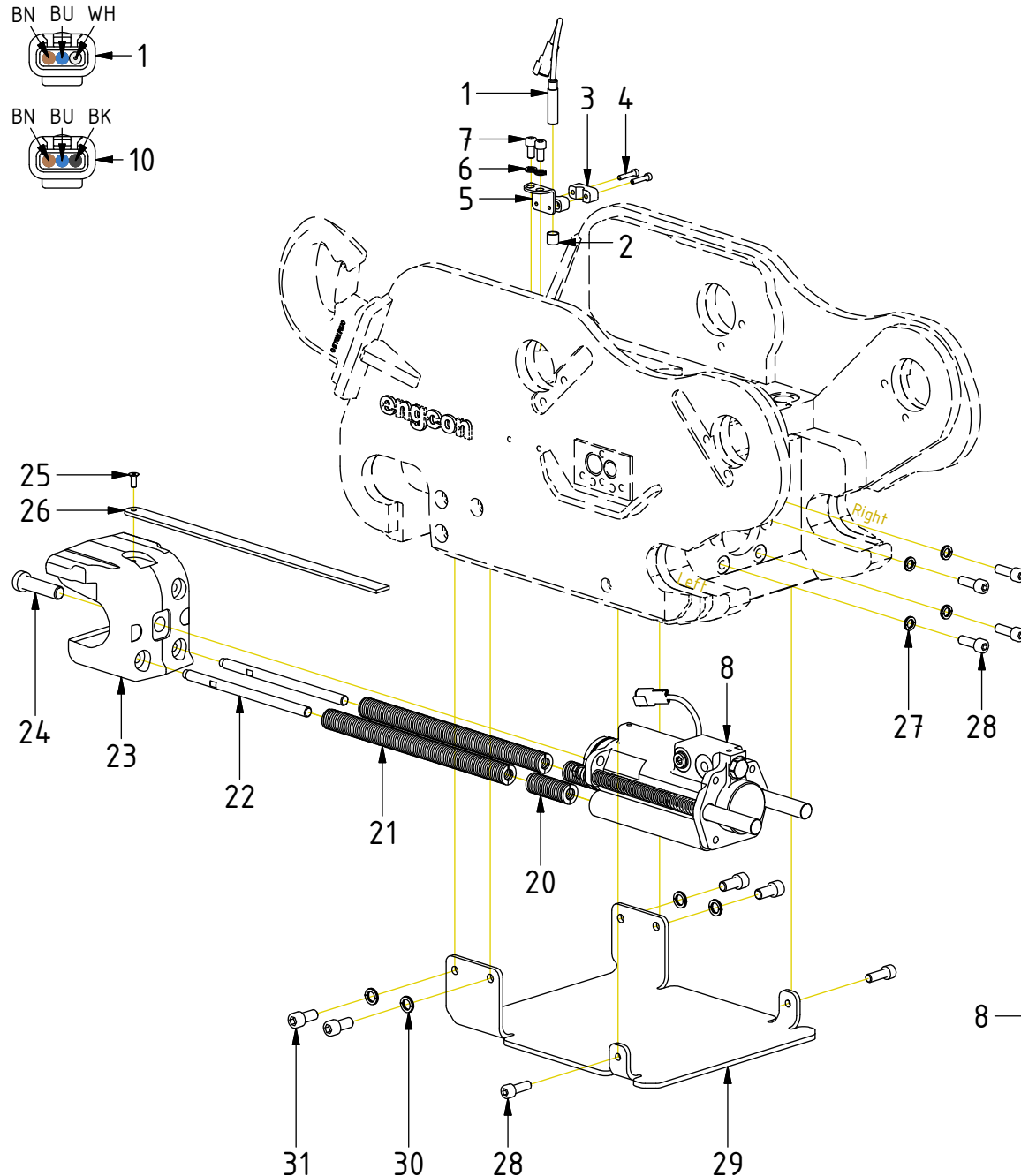
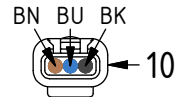
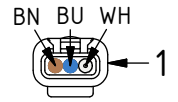
Readers note:

Indicates instruction.

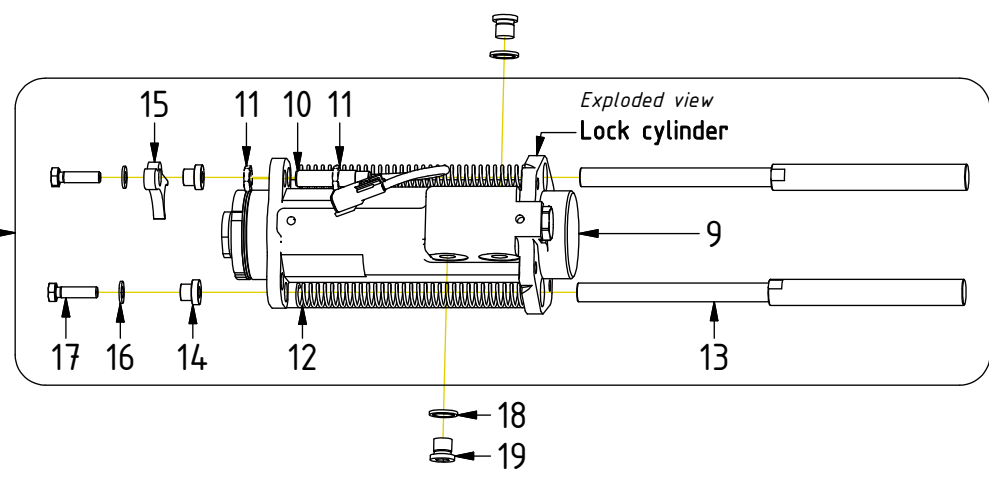


Represents Hose.

Dashed lines for overview, mounts
on other pages/assemblies.



POS	DESCRIPTION	PART	QTY	COMMENTS
1	Inductive sensor QSC (hook)	1040358	1	Mount just below surface edge
2	Protection lid, inductive sensor	8000056	1	
3	Clamp half M12 sensor	1065219	2	
4	Screw MC6S M5x25 12.9	610402	2	
5	Sensor holder	1074193	1	
6	Washer NL 8mm	611040	2	
7	Screw MC6S M8x16 12.9 ZFSHL	610432	2	
8	Lock cyl. QS60 V4 Comp. Forg. QSC	1052550	1	(POS.9-17 incl.)
9	Lock cylinder QS60 V4 Forged	1045379	1	
10	Inductive sensor QSC (cylinder)	1040359	1	Mount 1mm from Sensor plate (Incl. with sensor)
11	Hex nut			
12	Spring 16x175	1049973	2	
13	Ejector	1036405	2	
14	Spacer	1036406	2	
15	Sensor plate	1036413	1	Assemble with slight play
16	Flat Washer	611005	2	
17	Screw M6S M8x30 8,8 FZB	611538	2	Loxreal 83-52
18	Washer GBR04 1/4	710702	2	
19	Plug 1/4"	711505	2	
20	Spring 25x64	1024022	2	
21	Spring 25x305	1024021	2	
22	Steering	1025621	2	Loxreal 83-52
23	Hook V2 QS60 Cast	1046654	1	
24	Screw MLC6S M16x60 10.9	610721	1	Loxreal 83-52
25	Screw MF6S M6x16 10.9 untreated	610604	1	Loxreal 83-52
26	Indicator pin QS (610mm)	1036201	1	Cut to fit
27	Washer NL 10mm	611041	4	
28	Screw MC6S M10x30 12.9 ZFSHL	612018	6	QTY: 4 for EC-Oil
29	Cover plate QS60 V2 (hole on side)	1034517	1	No cover plate for EC-Oil
30	Washer NL 12mm	611042	4	
31	Screw MC6S M12x25 12.9 ZFSHL	6000164	4	



POS in order of assembly