

COVERSHEET

Planned document changes:

Briefly:

No planned changes.

Document changes:

Date:	Change:
2023-09-05	New document.

Rev. after change:
-

Readers note:



Indicates instruction.

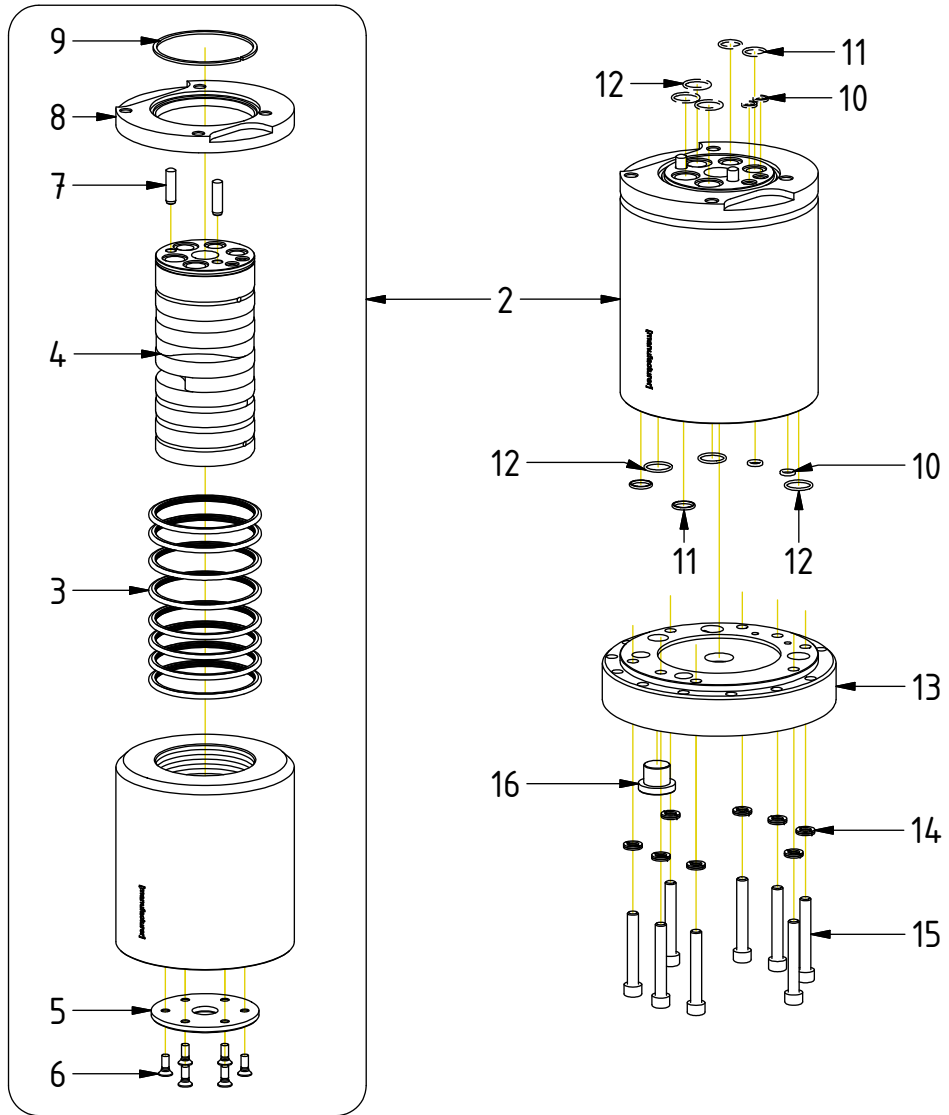


Represents Hose.

Dashed lines for overview, mounts
on other pages/assemblies.

Connection block & Swivel QSM80

POS in order of assembly



POS	DESCRIPTION	PART	QTY	COMMENTS
1	Connectionbl. & Swivel QSM Compl.	1072872	1	
2	Swivel 7-ch QSM Compl. Iron	1049276	1	
3	Swivel Sealing 80/91x4,2	1039544	8	
4	Swivel Piston QSM	1046696	1	
5	War washer	1046697	1	
6	Screw MFT 6x16TX30 8.8 FZB	6000406	6	Torque: 9,8Nm
7	Dowel pin CPK 8x30 m6	6000175	2	
8	Fastening ring swivel QSM	1044052	1	
9	Snap ring 80/77,4 x2	1039555	1	
10	O-ring square 7,66x1,68	7000579	4	QTY: 2 part of quick hitch assy.
11	O-ring 14x1,78	710975	4	QTY: 2 part of quick hitch assy.
12	O-ring 17.17x1.78	710977	6	QTY: 3 part of quick hitch assy.
13	Connection block 80	N/A	1	
14	Washer NL 8mm	611040	8	
15	Screw MC6S M8x55 12.9	610588	8	
16	Plug 70125-08 (1/2")	711500	1	