

COVERSHEET

Planned document changes:

Briefly:

No planned changes.

Document changes:

Date:	Change:	Rev. after change:
2023-12-14	Open/Close for Grab corrected.	C
2023-12-11	Screw lengths corrected.	B
2023-11-28	Valve block screws must be tightened in cross pattern.	A
2023-08-31	New document.	-

Readers note:

Indicates instruction.

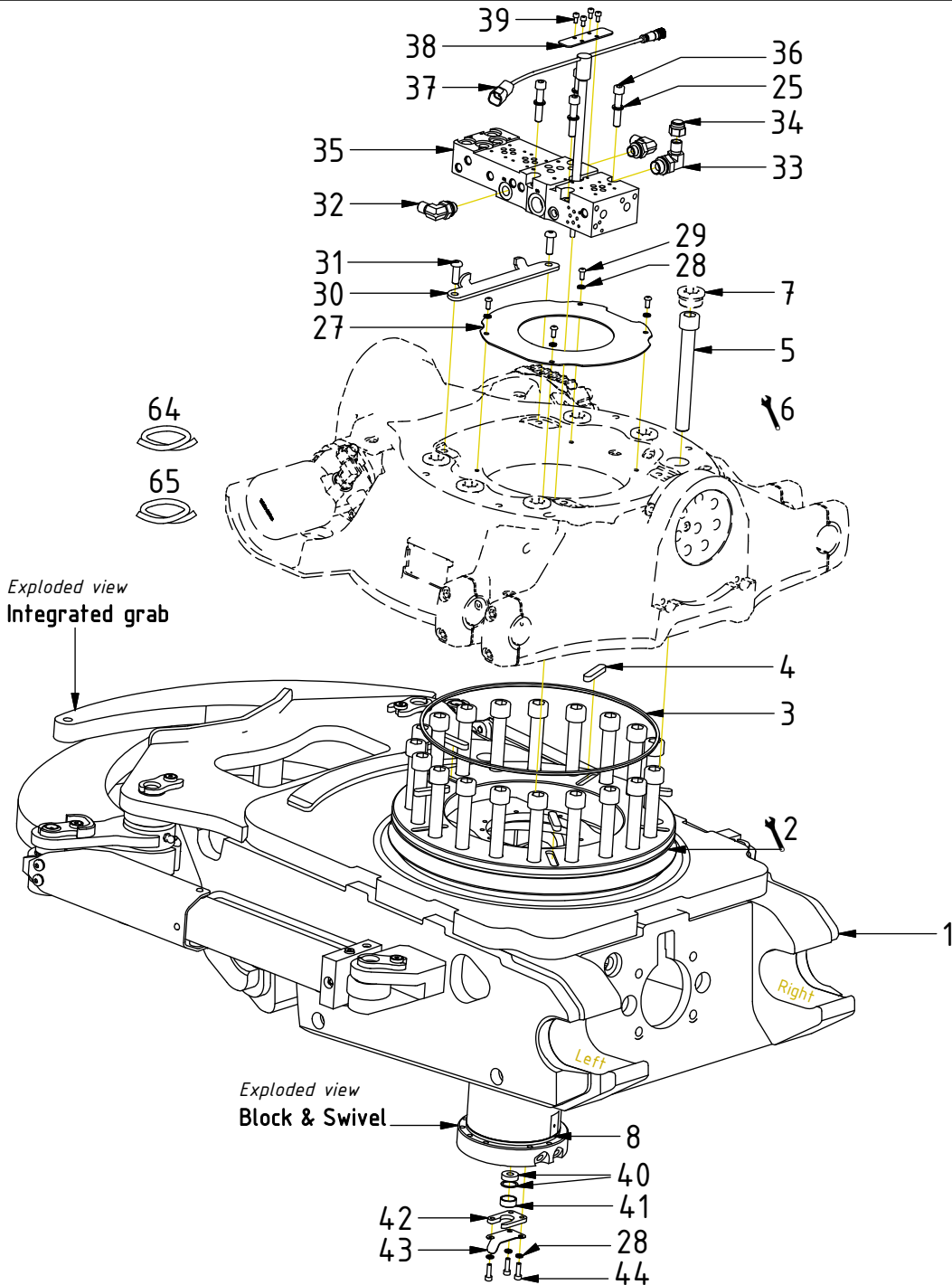


Represents Hose.

Dashed lines for overview, mounts
on other pages/assemblies.

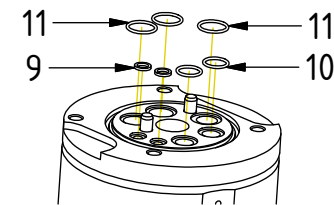
EC233 QSM - Hitch QS80 GR30

POS in order of assembly



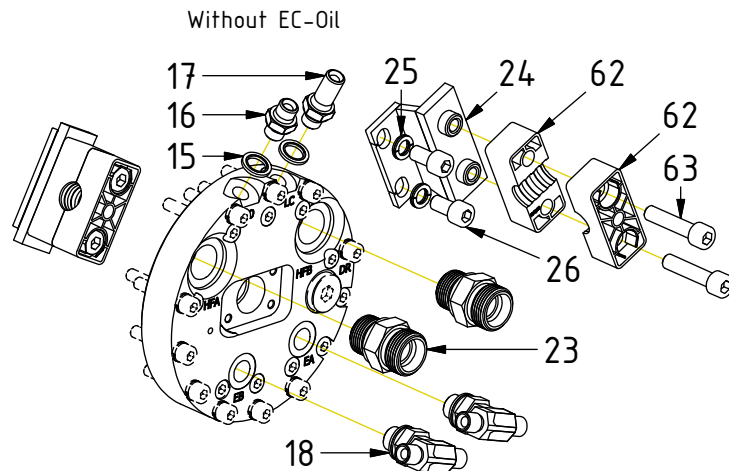
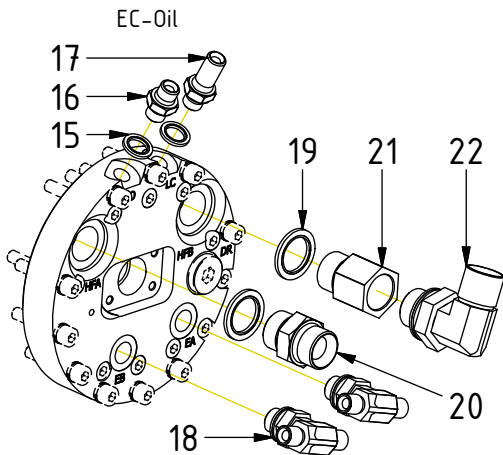
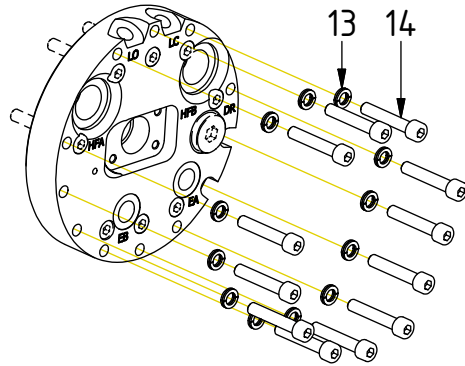
POS	DESCRIPTION	PART	QTY	COMMENTS
1	Quick hitch QS80 GR30 EC233 QSM	1069961	1	
2	Grease the ring			
3	O-ring 359,3x5,7	710924	1	
4	Feather Key	650103	5	
5	Screw MC6S M20x170 12.9	6000101	20	Torque: 649Nm
6	Torque tighten rotator frame to hitch. Rotate to access all holes			
7	Pipe plug M36x2	650408	6	Part of rotator frame
8	Connect. block & swivel QSM Compl.	1072872	1	
9	O-ring 7,66x1,68	7000579	2	
10	O-ring 14x1,78	710975	2	
11	O-ring 17,17x1,78	710977	3	
25	Washer NL 10mm	611041	8	
27	Plate swivel EC233 QSM	1052691	1	
28	Washer NL 6mm	611039	7	
29	Screw K6S M6x14 10.9 FZB	6000242	4	
30	Swivel stop EC233	1048076	1	
31	Screw K6S M10x30 10.9 FZB	6000193	2	Loxéal 83-52
32	Adapter 401-06-06 90° (3/8")	710152	2	Assemble before valve block
33	Adapter 401-06-08 90° (3/8"-1/2")	710157	1	Assemble before valve block
34	Protective cap 155-06 (3/8")	711626	1	
35	Valve Block QSM	1049297	1	
36	Screw MC6S M10x55 12.9 Geomet	612022	4	Torque: 79Nm Tighten in cross pattern
37	Slip ring QSM M12	1046763	1	Mount with marine silicone
38	Cover plate slip ring	1050384	1	
39	Screw MC6S M5x10 12.9	610594	4	
40	Rubber bushing with washer	1046691	1	Use the outer ring. Washer down
41	Ring slip ring QSM	1046692	1	
42	Plate slip ring QSM	1046689	1	
43	Plate cable steering QSM	1046694	1	
44	Screw MC6S M6x20 8,8 FZB	610310	3	
64	Hose hydraulic motor Long	7000451	1	
65	Hose hydraulic motor Short	7000903	1	

Between swivel & valve block:



EC233 QSM - Hitch QS80 GR30

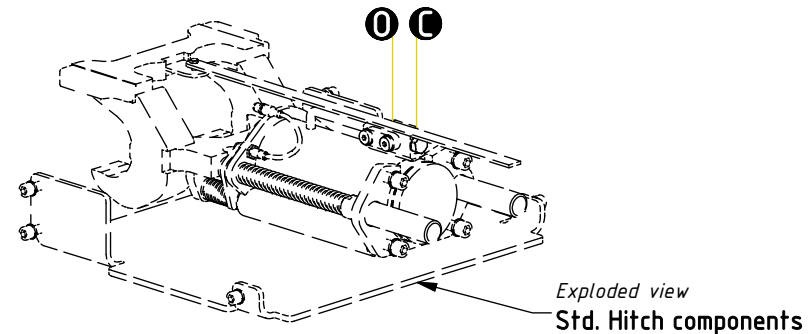
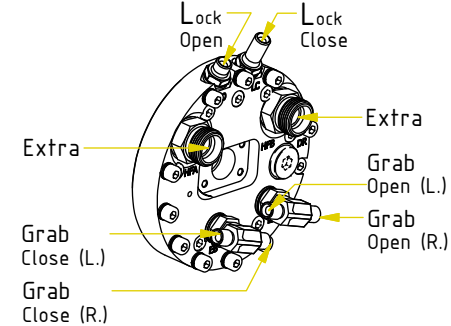
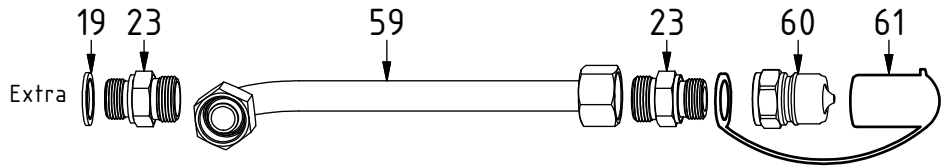
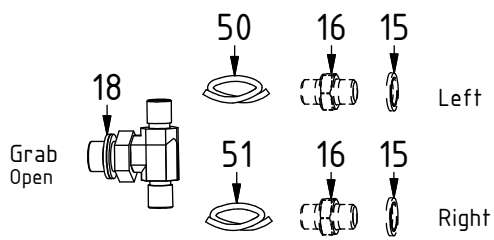
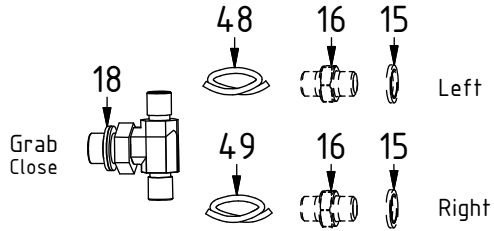
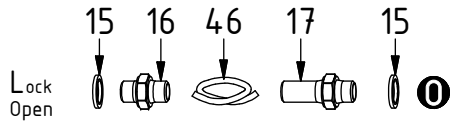
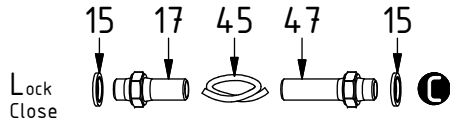
POS in order of assembly



POS	DESCRIPTION	PART	QTY	COMMENTS
12	For option Drain			See p.6 for instruction
13	Washer NL 8mm	611040	12	
14	Screw MC6S M8x45 12.9 ZFSL	6000399	12	
15	Washer GBR04 1/4	710702	8	QTY: 4 part of Integrated grab
16	Adapter 138-04-29 (1/4")	710135	5	QTY: 4 part of Integrated grab
17	Adapter 1260-04-04 (1/4")	710240	2	
18	Adapter 403-04-06 (1/4"-3/8")	712224	2	
19	Washer GBR12 3/4	710706	2	QTY: 3 for EC-Oil
20	Adapter 136-12-12 (3/4")	710126	1	
21	Adapter 236-12-12	712226	2	
22	Adapter 401-12-12 90° (3/4")	712201	1	
23	Adapter M30x2 // G3/4	7001855	4	
24	Holder pipe clamp QSM	1072385	2	
25	Washer NL 10mm	611041	8	
26	Screw MC6S M10x20 12.9	610451	4	
62	Pipe clamp Extra	7001889	4	
63	Screw MC6S M10x45 12.9 ZFSL	612021	4	

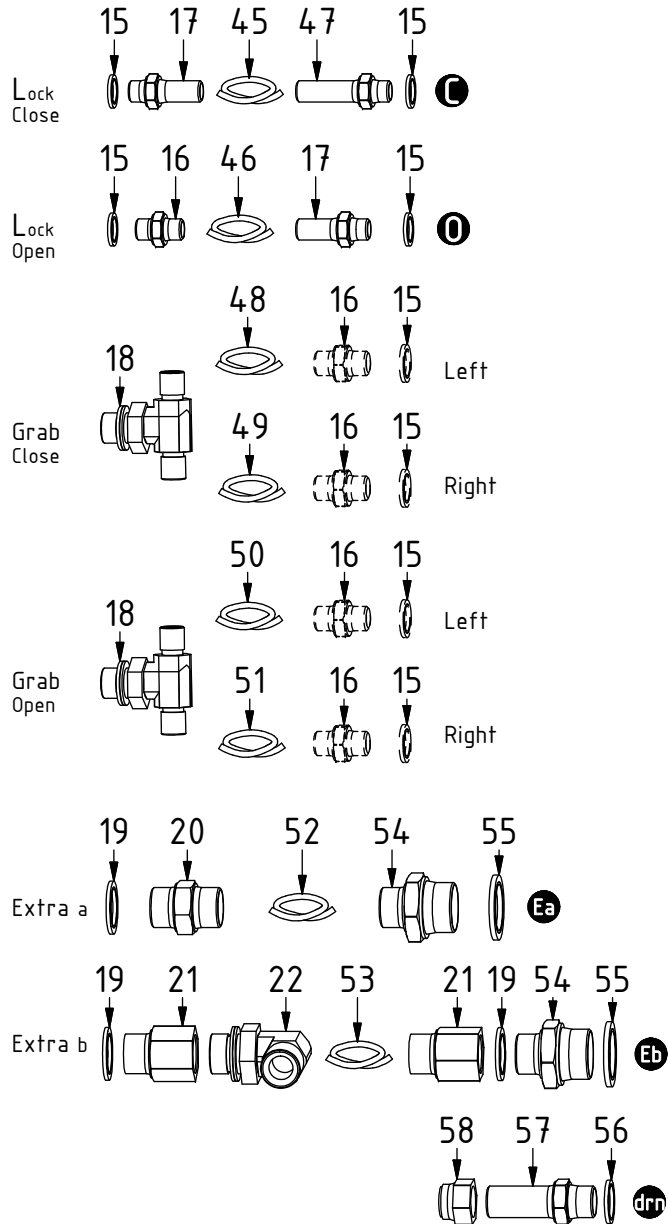
Without EC-Oil

POS	DESCRIPTION	PART	QTY	COMMENTS
12	For option Drain			See p.6 for instruction
15	Washer GBR04 1/4	710702	8	QTY: 4 part of Integrated grab
16	Adapter 138-04-29 (1/4")	710135	5	QTY: 4 part of Integrated grab
17	Adapter 1260-04-04 (1/4")	710240	2	
18	Adapter 403-04-06 (1/4"-3/8")	712224	2	
19	Washer GBR12 3/4	710706	2	QTY: 3 for EC-Oil
23	Adapter M30x2 // G3/4	7001855	4	
45	Hose Lock C	7001876	1	
46	Hose Lock O	7001893	1	
47	Adapter 1260-04-40 (1/4")	710261	1	
48	Hose Grab Left b	7001891	1	
49	Hose Grab Right b	7001892	1	
50	Hose Grab Left a	7001877	1	
51	Hose Grab Right a	7001878	1	
59	Pipe Extra QS80 QSM	1072343	2	
60	Quick coupling 3/4"	790193	2	
61	Dust protection 3/4"	790195	2	

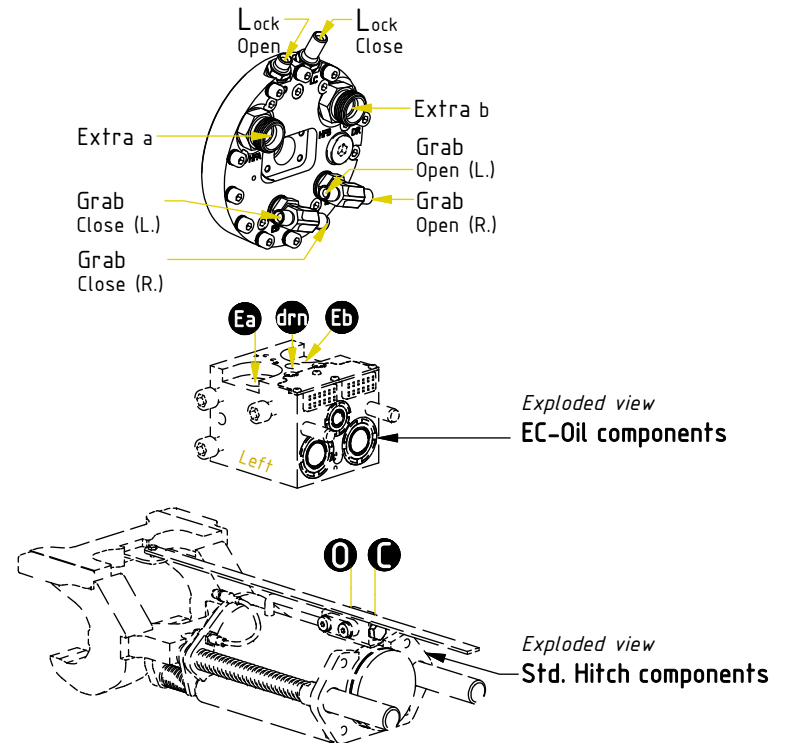


POS in order of assembly

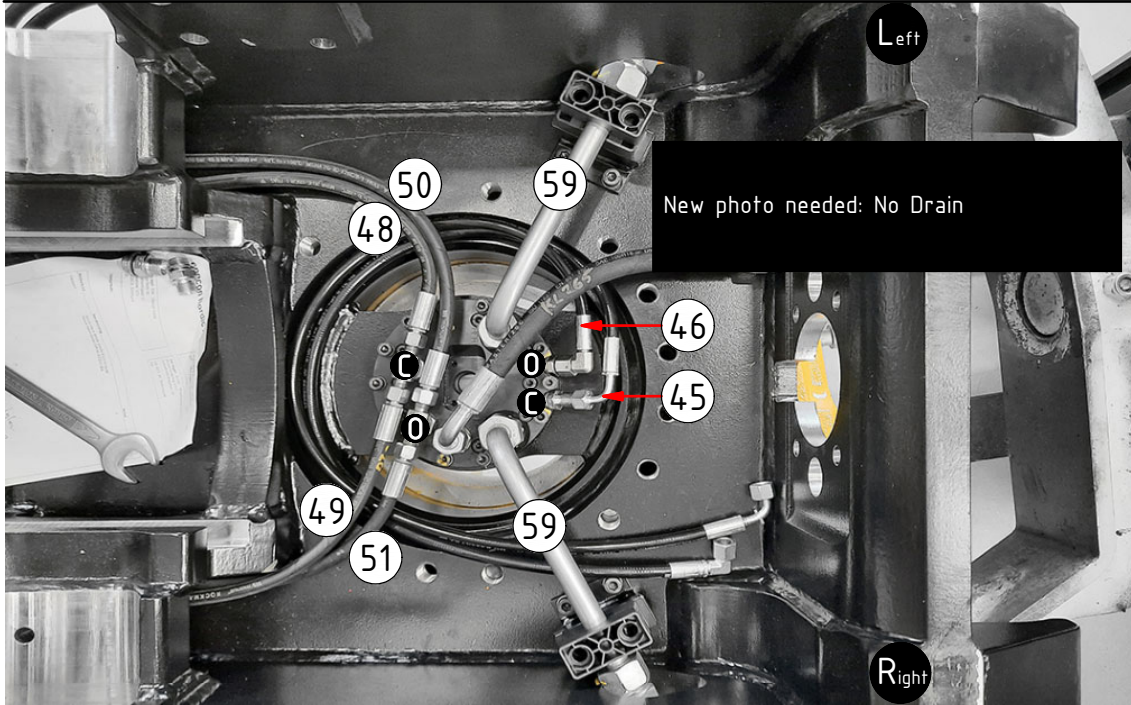
EC-Oil



POS	DESCRIPTION	PART	QTY	COMMENTS
15	Washer GBR04 1/4	710702	8	QTY: 4 part of Integrated grab
16	Adapter 138-04-29 (1/4")	710135	5	QTY: 4 part of Integrated grab
17	Adapter 1260-04-04 (1/4")	710240	2	
18	Adapter 403-04-06 (1/4"-3/8")	712224	2	
19	Washer GBR12 3/4	710706	2	QTY: 3 for EC-Oil
20	Adapter 136-12-12 (3/4")	710126	1	
21	Adapter 236-12-12	712226	2	
22	Adapter 401-12-12 90° (3/4")	712201	1	
45	Hose Lock C	7001876	1	
46	Hose Lock O	7001893	1	
47	Adapter 1260-04-40 (1/4")	710261	1	
48	Hose Grab Left b	7001891	1	
49	Hose Grab Right b	7001892	1	
50	Hose Grab Left a	7001877	1	
51	Hose Grab Right a	7001878	1	
52	Hose Extra a EC-Oil	7000681	1	
53	Hose Extra b EC-Oil	7001874	1	
54	Adapter 135-12-16 - (3/4"-1")	7000723	2	
55	Washer GBR16 1	710707	2	
56	Washer GBR08 1/2	710704	1	QTY: 2 w/o EC-Oil
57	Adapter 1260-08-45 (1/2")	710263	1	
58	Protective cap 155-08 (1/2")	711627	1	

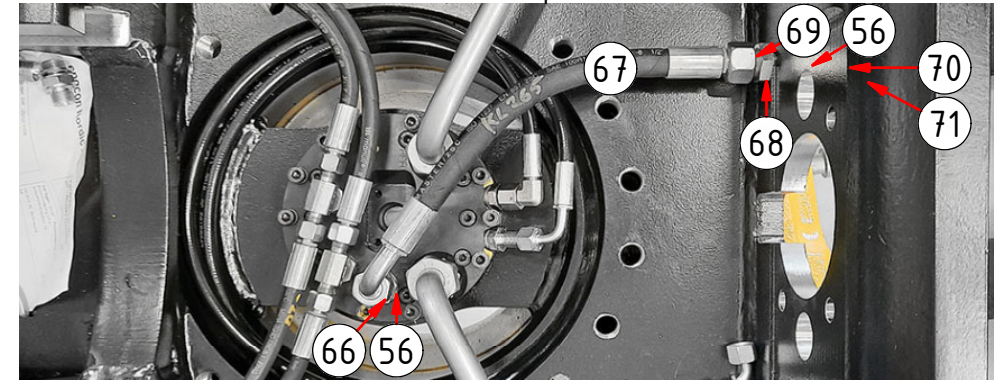


POS in order of assembly

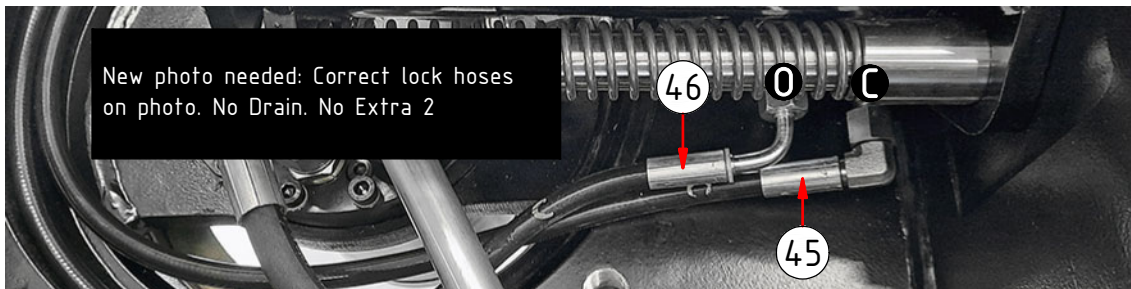
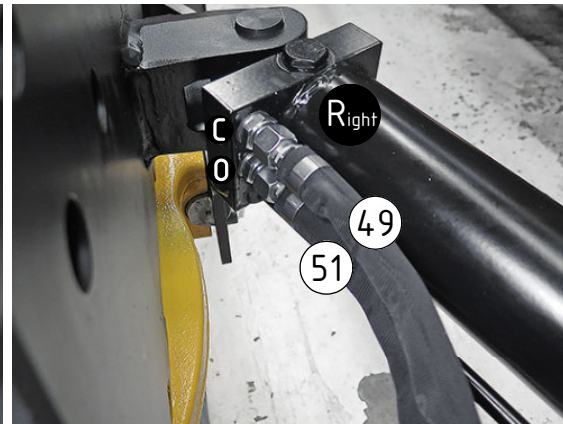
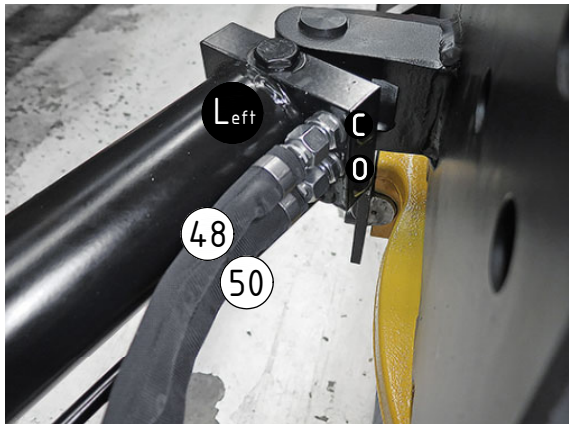
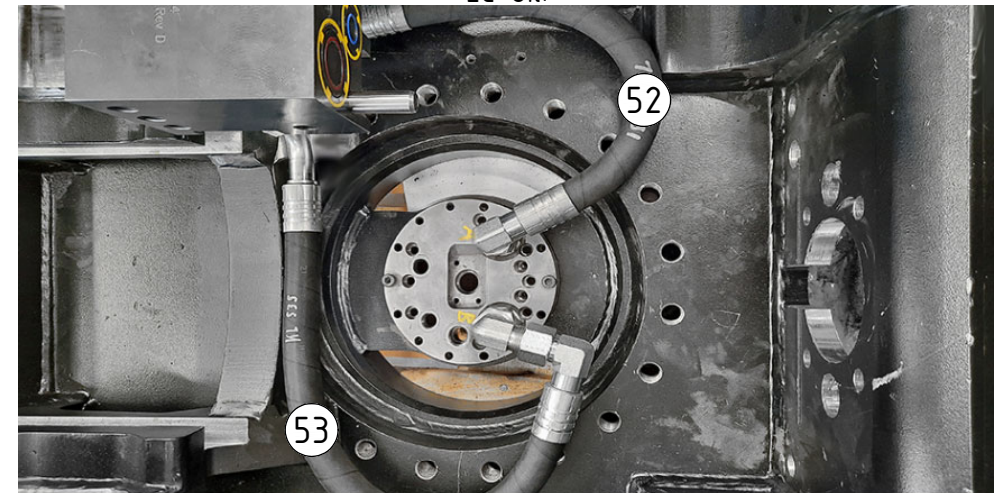


POS	DESCRIPTION	PART	QTY	COMMENTS
45	Hose Lock C	7001876	1	
46	Hose Lock O	7001893	1	
48	Hose Grab Left b	7001891	1	
49	Hose Grab Right b	7001892	1	
50	Hose Grab Left a	7001877	1	
51	Hose Grab Right a	7001878	1	
52	Hose Extra a EC-Oil	7000681	1	
53	Hose Extra b EC-Oil	7001874	1	
56	Washer GBR08 1/2	710704	1	QTY: 2 w/o EC-Oil
59	Pipe Extra QS80 QSM	1072343	2	
66	Adapter 136-08-08 (1/2")	710108	1	Drain. Remove plug fr. connectionbl.
67	Hose Drain	7001895	1	Drain
68	Counternut 1270-08 (1/2")	710252	1	Drain
69	Adapter 1260-08-08 (1/2")	710244	1	Drain
70	Quick coupling 1/2"	790115	1	Drain
71	Dust Protection 1/2"	790121	1	Drain

Without ECO - Option Drain:

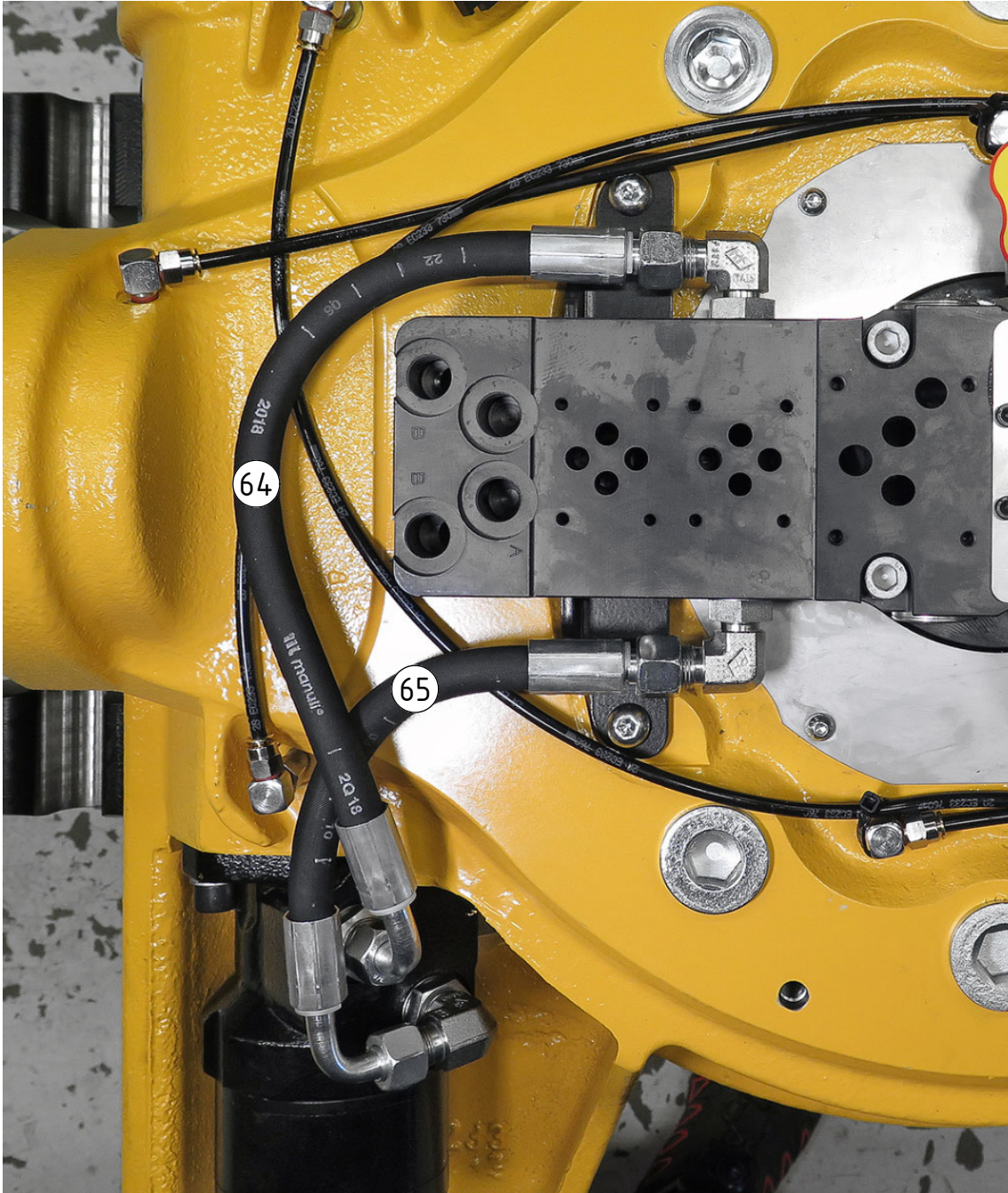


EC-Oil:



Motor hoses

POS	DESCRIPTION	PART	QTY	COMMENTS
64	Hose hydraulic motor Long	7000451	1	
65	Hose hydraulic motor Short	7000903	1	



POS in order of assembly