

COVERSHEET

Planned document changes:

Briefly:

No planned changes.

Document changes:

| Date: | Change: | Rev. after change: |
|--------------|--|-------------------------------|
| 2023-12-11 | Screw lengths corrected. | B |
| 2023-11-28 | Valve block screws must be tightened in cross pattern. | A |
| 2023-08-31 | New document. | - |

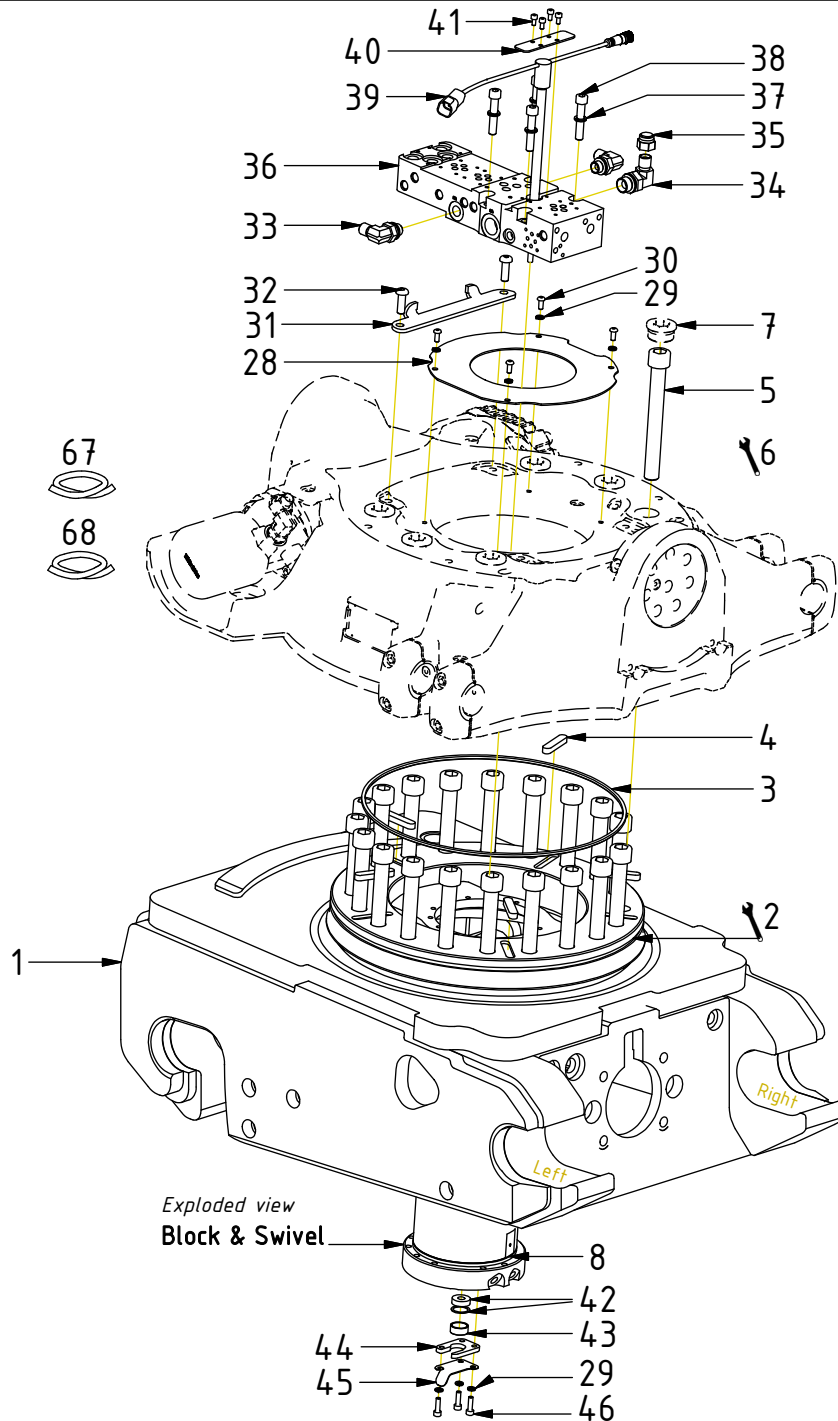
Readers note:

Indicates instruction.



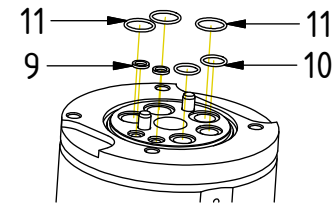
Represents Hose.

Dashed lines for overview, mounts
on other pages/assemblies.

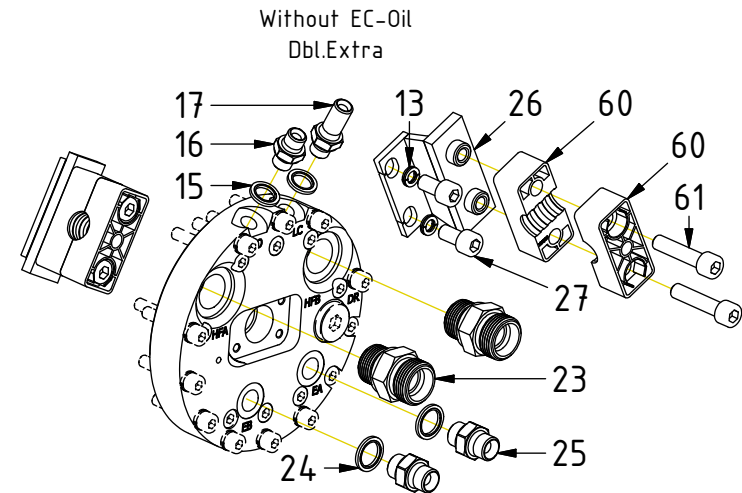
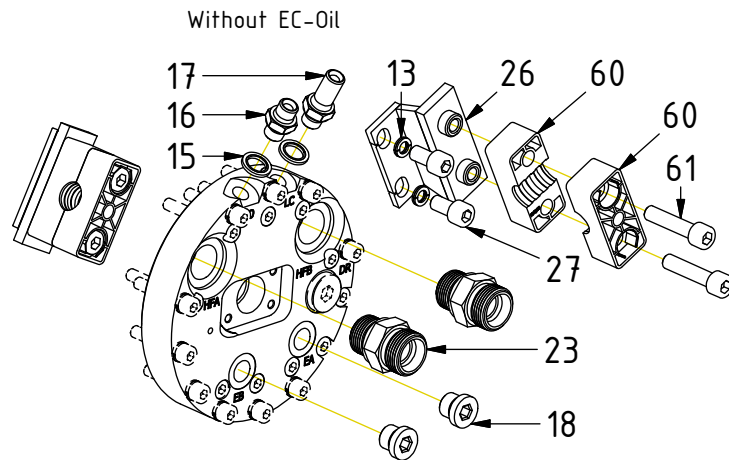
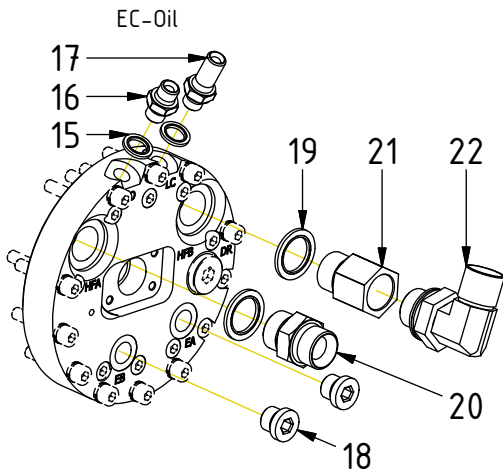
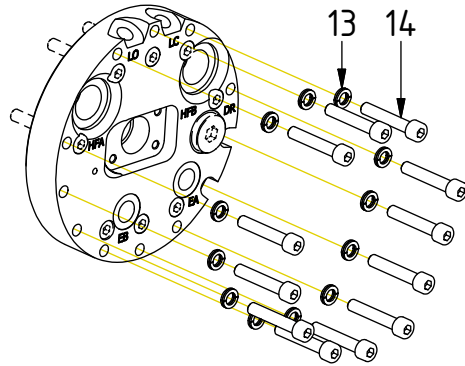


| POS | DESCRIPTION | PART | QTY | COMMENTS |
|-----|---|---------|-----|--|
| 1 | Quick hitch QS80 EC233 QSM | 1069824 | 1 | |
| 2 | Grease the ring | | | |
| 3 | O-ring 359,3x5,7 | 710924 | 1 | |
| 4 | Feather Key | 650103 | 5 | |
| 5 | Screw MC6S M20x170 12.9 | 6000101 | 20 | Torque: 649Nm |
| 6 | Torque tighten rotator frame to hitch. Rotate to access all holes | | | |
| 7 | Pipe plug M36x2 | 650408 | 6 | Part of rotator frame |
| 8 | Connect. block & swivel QSM Compl. | 1072872 | 1 | |
| 9 | O-ring 7,66x1,68 | 7000579 | 2 | |
| 10 | O-ring 14x1,78 | 710975 | 2 | |
| 11 | O-ring 17,17x1,78 | 710977 | 3 | |
| 28 | Plate swivel EC233 QSM | 1052691 | 1 | |
| 29 | Washer NL 6mm | 611039 | 7 | |
| 30 | Screw K6S M6x14 10.9 FZB | 6000242 | 4 | |
| 31 | Swivel stop EC233 | 1048076 | 1 | |
| 32 | Screw K6S M10x30 10.9 FZB | 6000193 | 2 | Loxéal 83-52 |
| 33 | Adapter 401-06-06 90° (3/8") | 710152 | 2 | Assemble before valve block |
| 34 | Adapter 401-06-08 90° (3/8"-1/2") | 710157 | 1 | Assemble before valve block |
| 35 | Protective cap 155-06 (3/8") | 711626 | 1 | |
| 36 | Valve Block QSM | 1049297 | 1 | |
| 37 | Washer NL 10mm | 611041 | 4 | |
| 38 | Screw MC6S M10x55 12.9 Geomet | 612022 | 4 | Torque: 79Nm Tighten in cross pattern |
| 39 | Slip ring QSM M12 | 1046763 | 1 | Mount with marine silicone |
| 40 | Cover plate slip ring | 1050384 | 1 | |
| 41 | Screw MC6S M5x10 12.9 | 610594 | 4 | |
| 42 | Rubber bushing with washer | 1046691 | 1 | Use the outer ring. Washer down |
| 43 | Ring slip ring QSM | 1046692 | 1 | |
| 44 | Plate slip ring QSM | 1046689 | 1 | |
| 45 | Plate cable steering QSM | 1046694 | 1 | |
| 46 | Screw MC6S M6x20 8,8 FZB | 610310 | 3 | |
| 67 | Hose hydraulic motor Long | 7000451 | 1 | |
| 68 | Hose hydraulic motor Short | 7000903 | 1 | |

Between swivel & valve block:

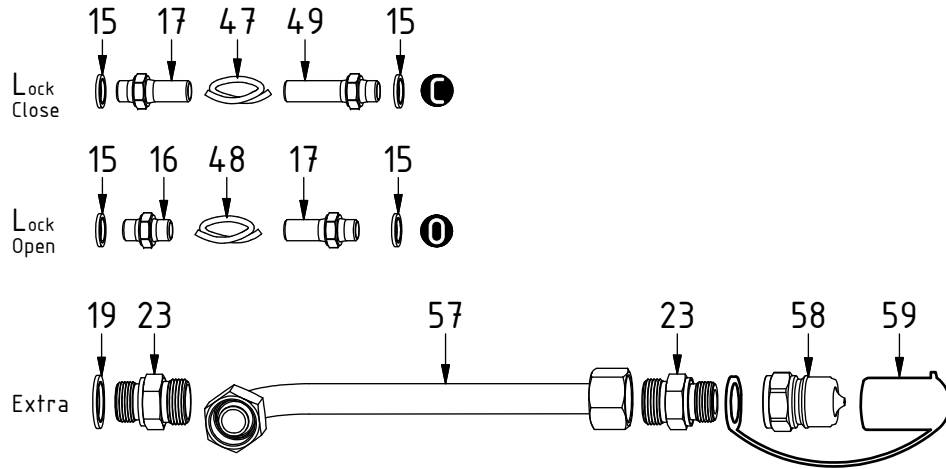


POS in order of assembly

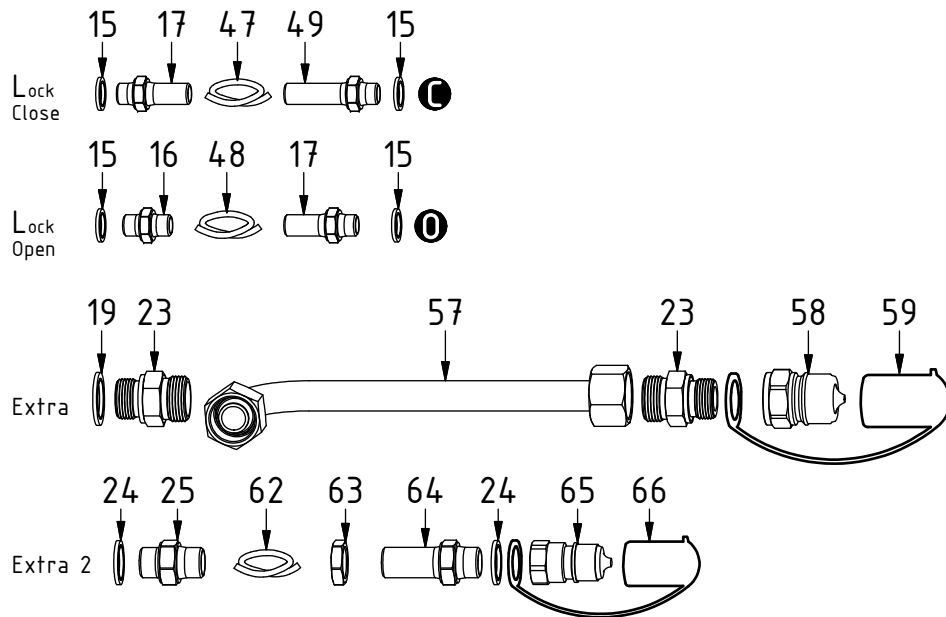


| POS | DESCRIPTION | PART | QTY | COMMENTS |
|-----|------------------------------|---------|-----|-------------------------|
| 12 | For option Drain | | | See p.6 for instruction |
| 13 | Washer NL 8mm | 611040 | 16 | |
| 14 | Screw MC6S M8x45 12.9 ZFSHL | 6000399 | 12 | |
| 15 | Washer GBR04 1/4 | 710702 | 4 | |
| 16 | Adapter 136-04-04 (1/4") | 7000531 | 1 | |
| 17 | Adapter 1260-04-04 (1/4") | 710240 | 2 | |
| 18 | Plug 70125-06 (3/8") | 711504 | 2 | |
| 19 | Washer GBR12 3/4 | 710706 | 2 | QTY: 3 for EC-Oil |
| 20 | Adapter 136-12-12 (3/4") | 710126 | 1 | |
| 21 | Adapter 236-12-12 | 712226 | 2 | |
| 22 | Adapter 401-12-12 90° (3/4") | 712201 | 1 | |
| 23 | Adapter M30x2 // G3/4 | 7001855 | 4 | |
| 24 | Washer GBR06 3/8 | 710703 | 4 | |
| 25 | Adapter 136-06-06 (3/8") | 710106 | 2 | |
| 26 | Holder pipe clamp QSM | 1072385 | 2 | |
| 27 | Screw MC6S M10x20 12.9 | 610451 | 4 | |
| 60 | Pipe clamp Extra | 7001889 | 4 | |
| 61 | Screw MC6S M10x45 12.9 ZFSHL | 612021 | 4 | |

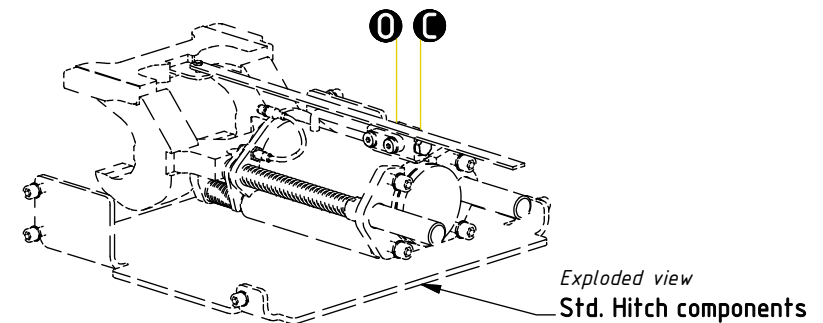
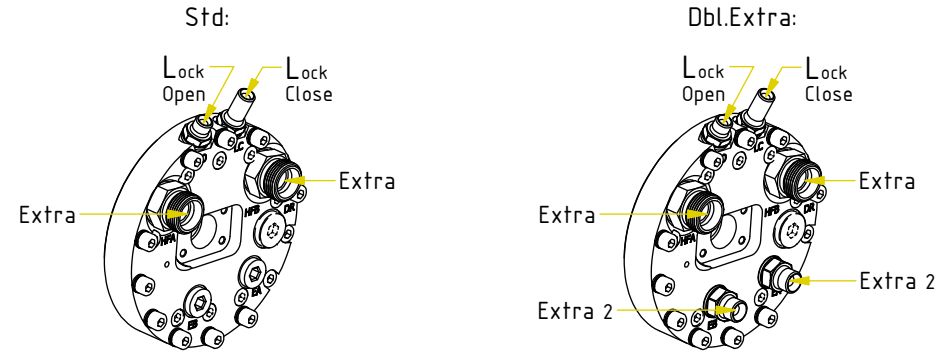
Without EC-Oil



Dbl.Extra:



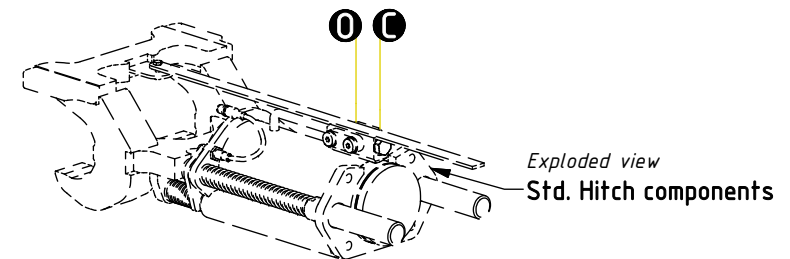
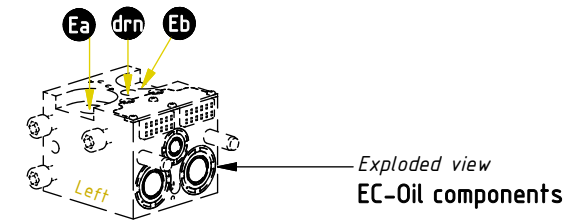
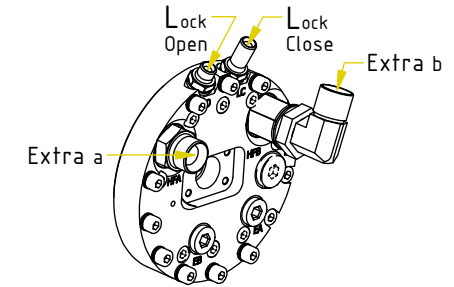
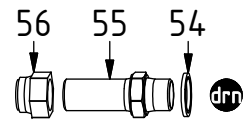
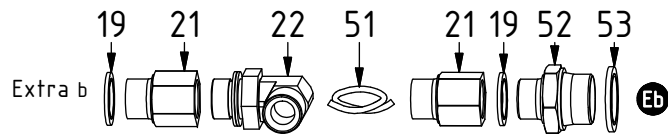
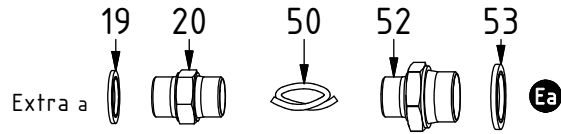
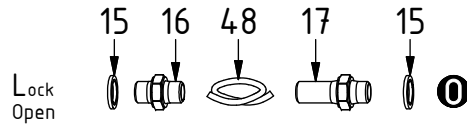
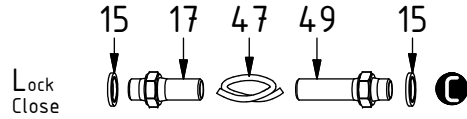
| POS | DESCRIPTION | PART | QTY | COMMENTS |
|-----|---------------------------|---------|-----|-------------------------|
| 12 | For option Drain | | | See p.6 for instruction |
| 15 | Washer GBR04 1/4 | 710702 | 4 | |
| 16 | Adapter 136-04-04 (1/4") | 7000531 | 1 | |
| 17 | Adapter 1260-04-04 (1/4") | 710240 | 2 | |
| 19 | Washer GBR12 3/4 | 710706 | 2 | QTY: 3 for EC-Oil |
| 23 | Adapter M30x2 // G3/4 | 7001855 | 4 | |
| 24 | Washer GBR06 3/8 | 710703 | 4 | |
| 25 | Adapter 136-06-06 (3/8") | 710106 | 2 | |
| 47 | Hose Lock A | 7001876 | 1 | |
| 48 | Hose Lock B | 7001893 | 1 | |
| 49 | Adapter 1260-04-40 (1/4") | 710261 | 1 | |
| 57 | Pipe Extra QS80 QSM | 1072343 | 2 | |
| 58 | Quick coupling 3/4" | 790193 | 2 | |
| 59 | Dust protection 3/4" | 790195 | 2 | |
| 62 | Hose Extra 2 | 7001894 | 2 | Dbl.Extra |
| 63 | Counternut 1270-06 (3/8") | 710252 | 2 | |
| 64 | Adapter 1260-06-32 (3/8") | 710242 | 2 | |
| 65 | Quick coupling 3/8" | 790113 | 2 | |
| 66 | Dust protection 3/8" | 790120 | 2 | |



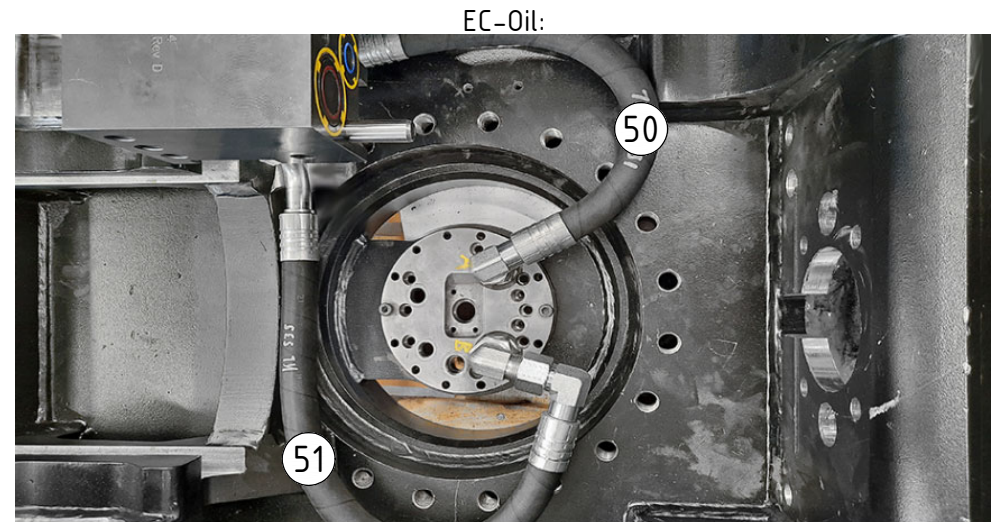
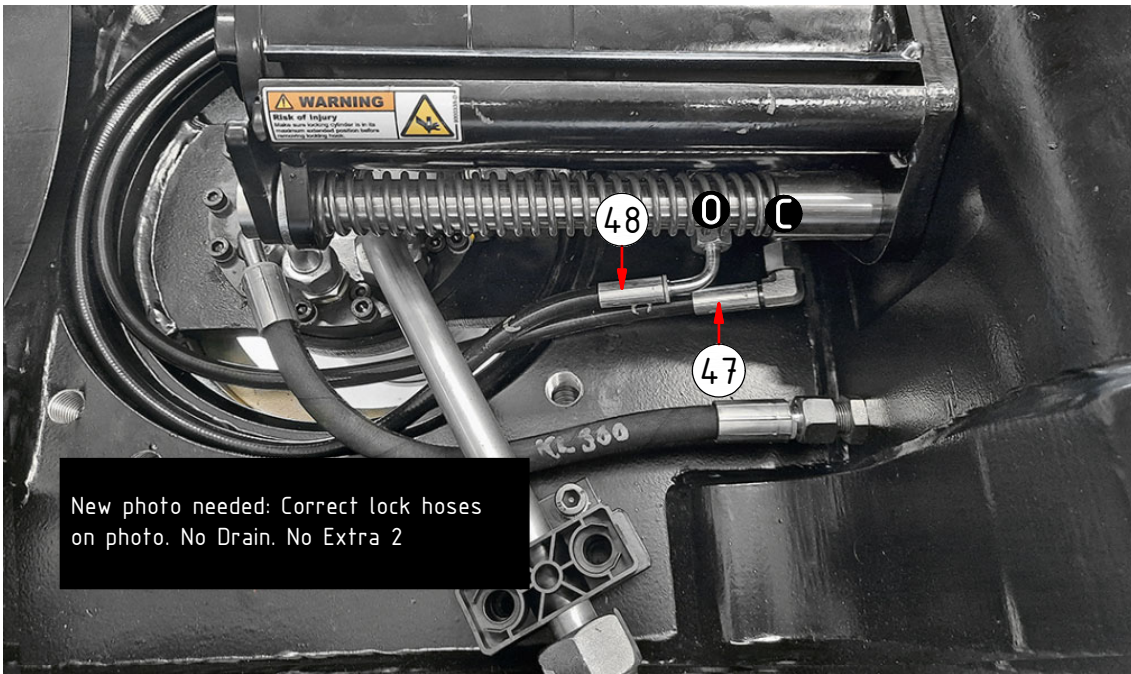
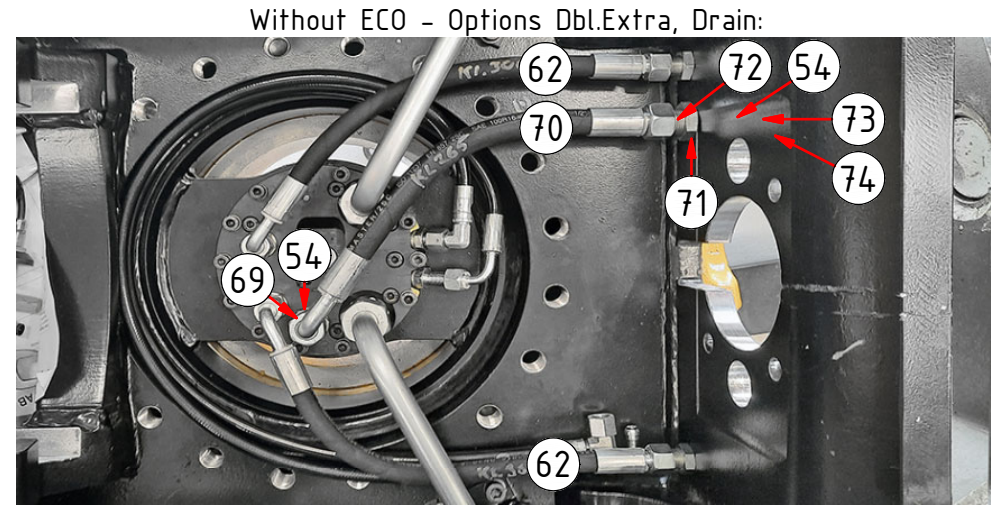
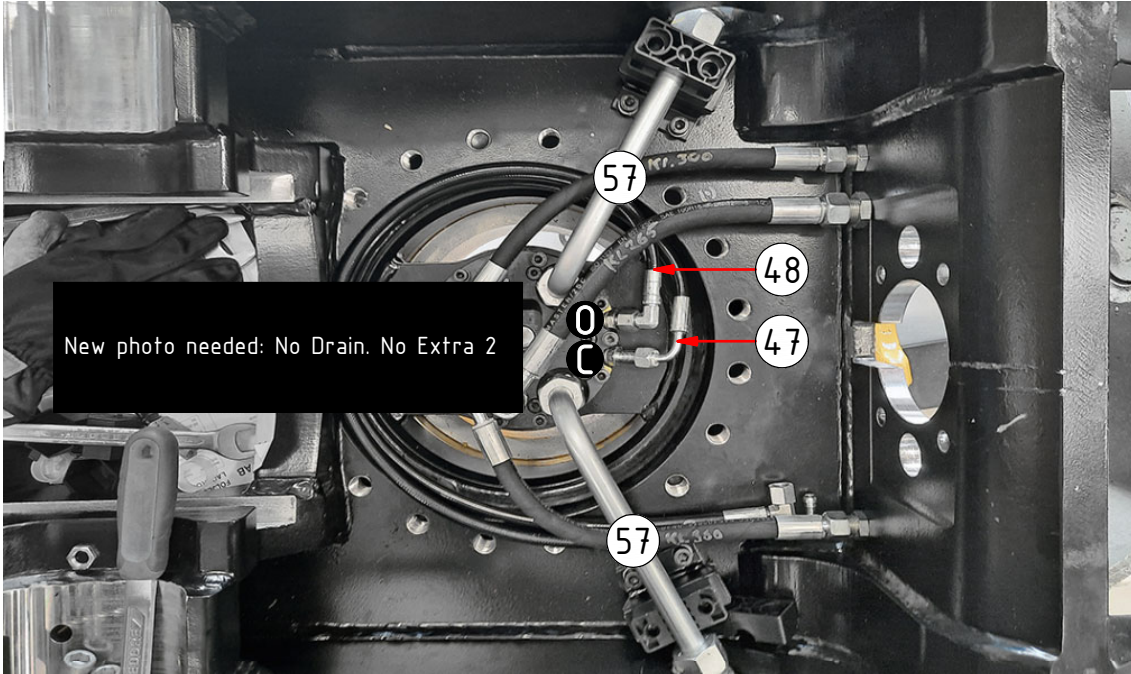
POS in order of assembly

EC-Oil

| POS | DESCRIPTION | PART | QTY | COMMENTS |
|-----|-------------------------------|---------|-----|-------------------|
| 15 | Washer GBR04 1/4 | 710702 | 4 | |
| 16 | Adapter 136-04-04 (1/4") | 7000531 | 1 | |
| 17 | Adapter 1260-04-04 (1/4") | 710240 | 2 | |
| 19 | Washer GBR12 3/4 | 710706 | 2 | QTY: 3 for EC-Oil |
| 20 | Adapter 136-12-12 (3/4") | 710126 | 1 | |
| 21 | Adapter 236-12-12 | 712226 | 2 | |
| 22 | Adapter 401-12-12 90° (3/4") | 712201 | 1 | |
| 47 | Hose Lock A | 7001876 | 1 | |
| 48 | Hose Lock B | 7001893 | 1 | |
| 49 | Adapter 1260-04-40 (1/4") | 710261 | 1 | |
| 50 | Hose Extra a EC-Oil | 7000681 | 1 | |
| 51 | Hose Extra b EC-Oil | 7001874 | 1 | |
| 52 | Adapter 135-12-16 - (3/4"-1") | 7000723 | 2 | |
| 53 | Washer GBR16 1 | 710707 | 2 | |
| 54 | Washer GBR08 1/2 | 710704 | 1 | QTY: 2 w/o EC-Oil |
| 55 | Adapter 1260-08-45 (1/2") | 710263 | 1 | |
| 56 | Protective cap 155-08 (1/2") | 711627 | 1 | |

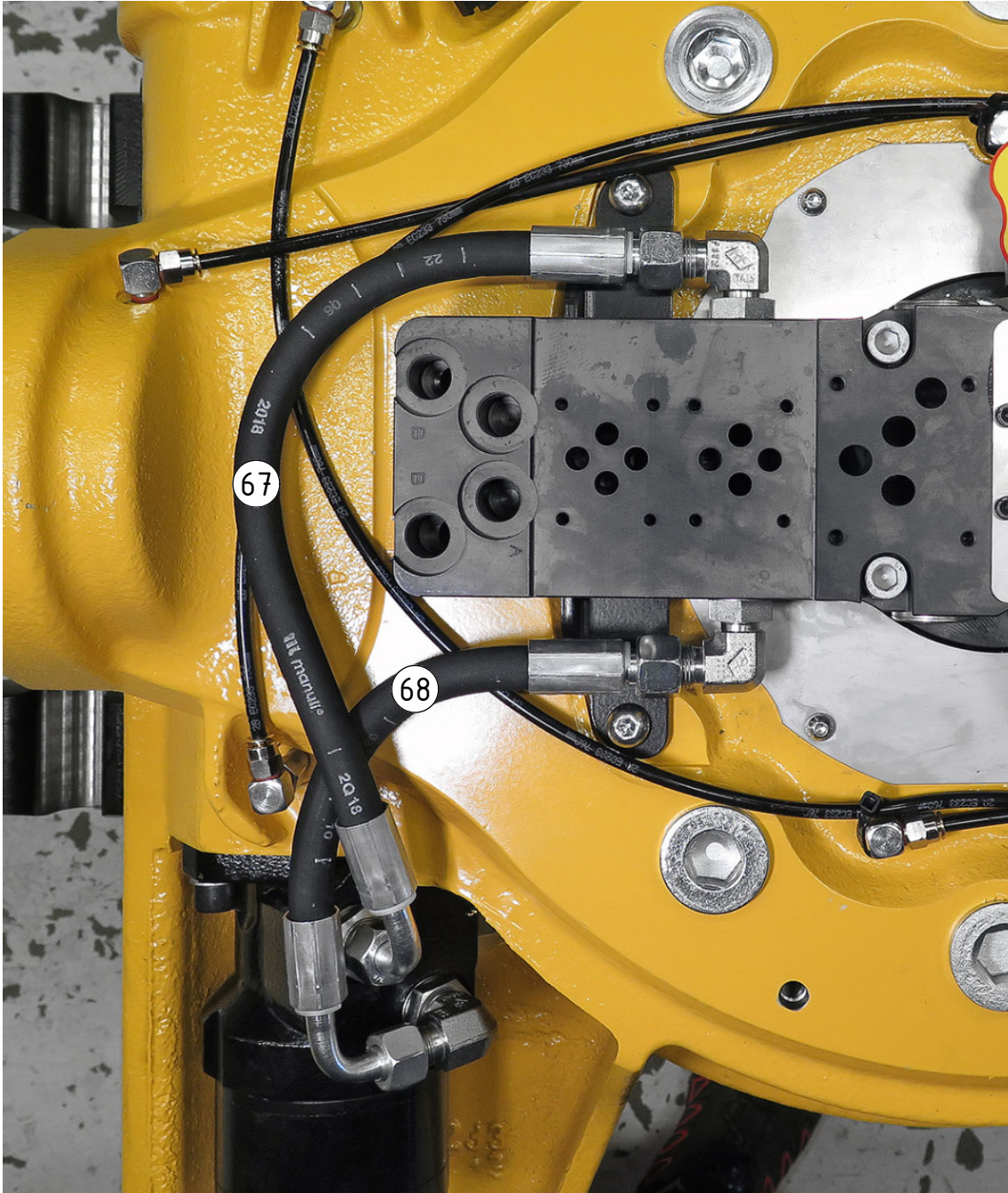


| POS | DESCRIPTION | PART | QTY | COMMENTS |
|-----|---------------------------|---------|-----|--------------------------------------|
| 47 | Hose Lock A | 7001876 | 1 | |
| 48 | Hose Lock B | 7001893 | 1 | |
| 50 | Hose Extra a EC-Oil | 7000681 | 1 | |
| 51 | Hose Extra b EC-Oil | 7001874 | 1 | |
| 54 | Washer GBR08 1/2 | 710704 | 1 | QTY: 2 w/o EC-Oil |
| 57 | Pipe Extra QS80 QSM | 1072343 | 2 | |
| 62 | Hose Extra 2 | 7001894 | 2 | Dbl.Extra |
| 69 | Adapter 136-08-08 (1/2") | 710108 | 1 | Drain. Remove plug fr. connectionbl. |
| 70 | Hose Drain | | 1 | Drain |
| 71 | Counternut 1270-08 (1/2") | 710252 | 1 | Drain |
| 72 | Adapter 1260-08-08 (1/2") | 710244 | 1 | Drain |
| 73 | Quick coupling 1/2" | 790115 | 1 | Drain |
| 74 | Dust Protection 1/2" | 790121 | 1 | Drain |



Motor hoses

| POS | DESCRIPTION | PART | QTY | COMMENTS |
|-----|----------------------------|---------|-----|----------|
| 67 | Hose hydraulic motor Long | 7000451 | 1 | |
| 68 | Hose hydraulic motor Short | 7000903 | 1 | |



POS in order of assembly