

COVERSHEET

Planned document changes:


Briefly:

No planned changes.

Document changes:

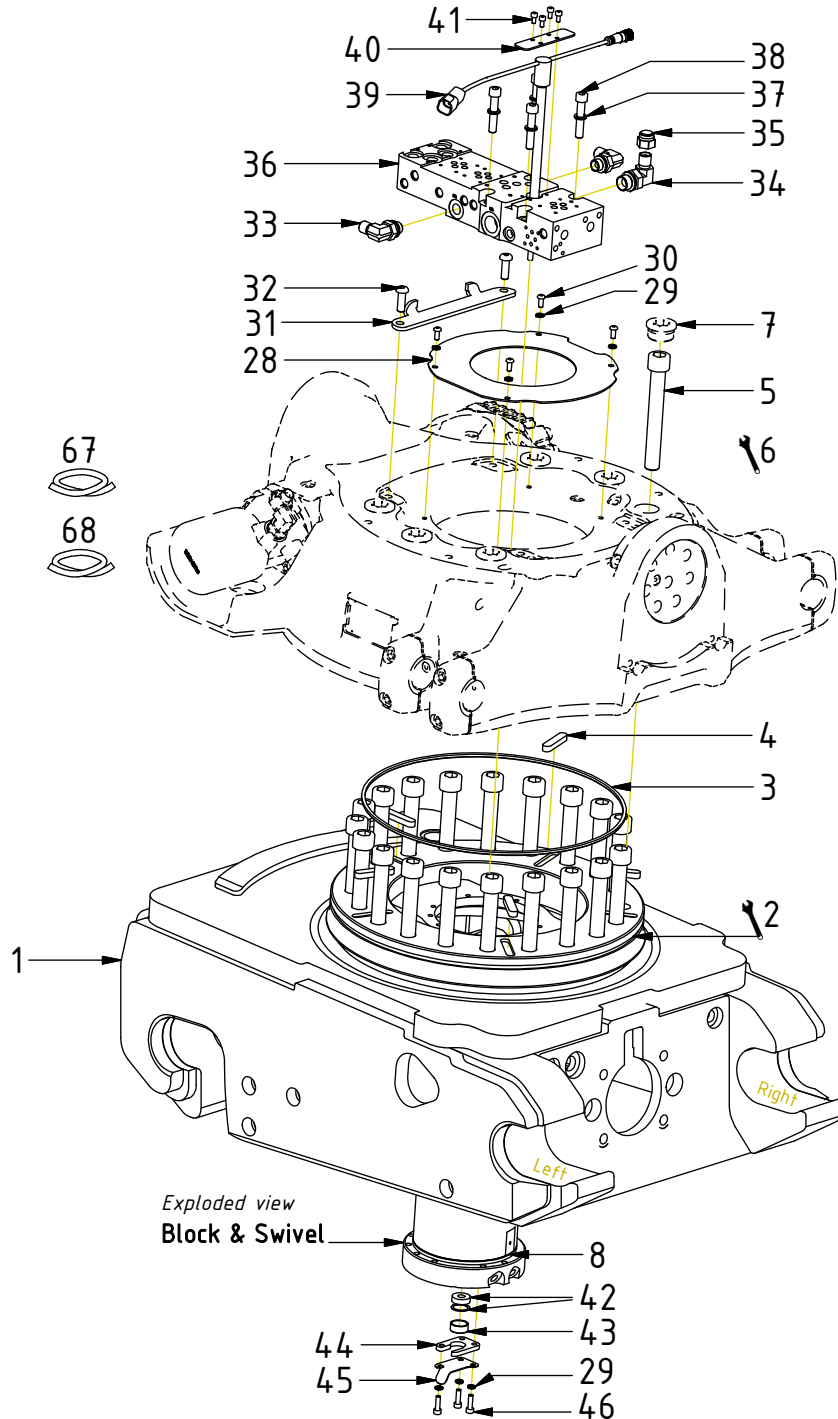
Date:	Change:	Rev. after change:
2023-08-31	New document.	-

Readers note:

 Indicates instruction.

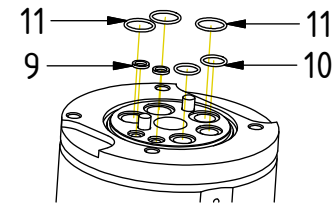
 Represents Hose.

Dashed lines for overview, mounts
on other pages/assemblies.

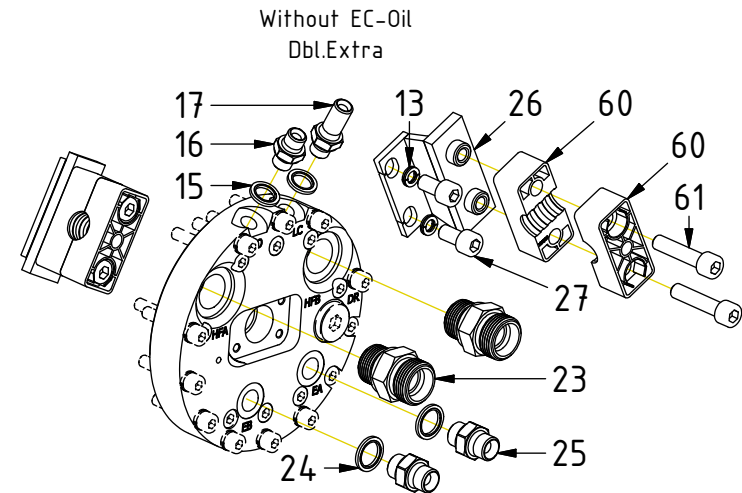
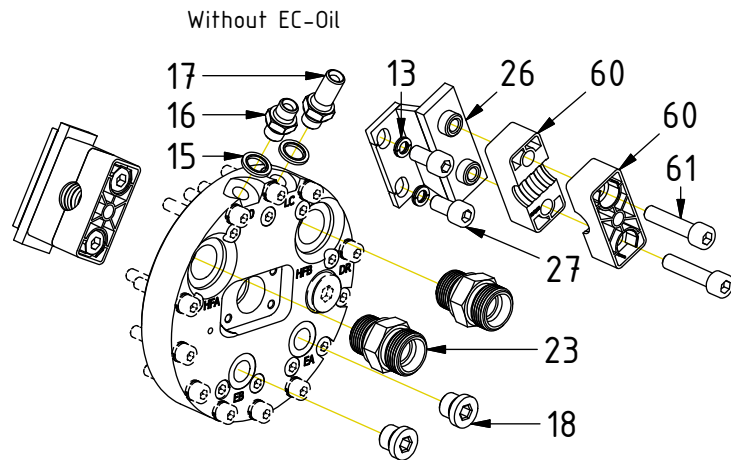
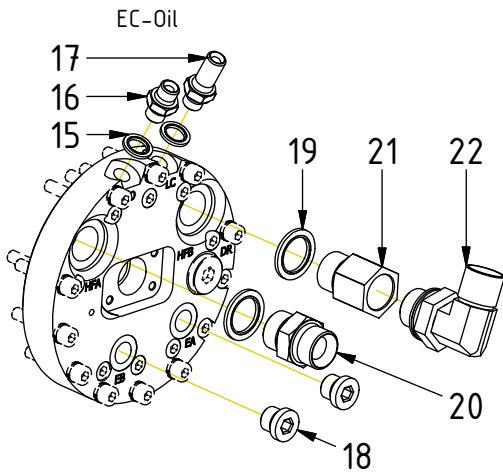
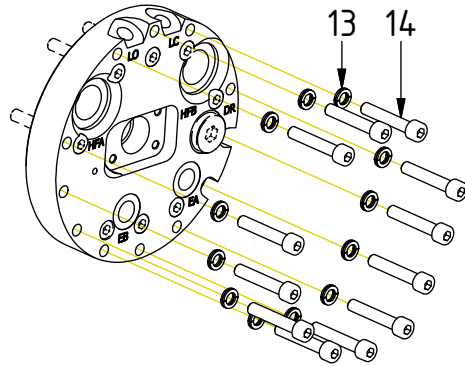


POS	DESCRIPTION	PART	QTY	COMMENTS
1	Quick hitch QS80 EC233 QSM	1069824	1	
2	Grease the ring			
3	O-ring 359,3x5,7	710924	1	
4	Feather Key	650103	5	
5	Screw MC6S M20x150 12.9	610562	20	Torque: 649Nm
6	Torque tighten rotator frame to hitch. Rotate to access all holes			
7	Pipe plug M36x2	650408	6	Part of rotator frame
8	Connect. block & swivel QSM Compl.	1072872	1	
9	O-ring 7,66x1,68	7000579	2	
10	O-ring 14x1,78	710975	2	
11	O-ring 17,17x1,78	710977	3	
28	Plate swivel EC233 QSM	1052691	1	
29	Washer NL 6mm	611039	7	
30	Screw K6S M6x14 10.9 FZB	6000242	4	
31	Swivel stop EC233	1048076	1	
32	Screw K6S M10x30 10.9 FZB	6000193	2	Loxéal 83-52
33	Adapter 401-06-06 90° (3/8")	710152	2	Assemble before valve block
34	Adapter 401-06-08 90° (3/8"-1/2")	710157	1	Assemble before valve block
35	Protective cap 155-06 (3/8")	711626	1	
36	Valve Block QSM	1049297	1	
37	Washer NL 10mm	611041	4	
38	Screw MC6S M10x55 12.9 Geomet	612022	4	Torque: 79Nm
39	Slip ring QSM M12	1046763	1	Mount with marine silicone
40	Cover plate slip ring	1050384	1	
41	Screw MC6S M5x10 12.9	610594	4	
42	Rubber bushing with washer	1046691	1	Use the outer ring. Washer down
43	Ring slip ring QSM	1046692	1	
44	Plate slip ring QSM	1046689	1	
45	Plate cable steering QSM	1046694	1	
46	Screw MC6S M6x20 8,8 FZB	610310	3	
67	Hose hydraulic motor Long	7000451	1	
68	Hose hydraulic motor Short	7000903	1	

Between swivel & valve block:

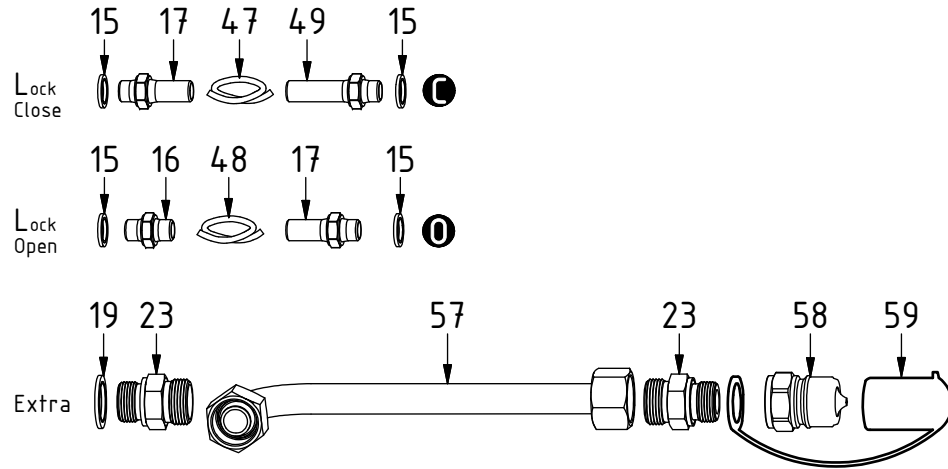


POS in order of assembly

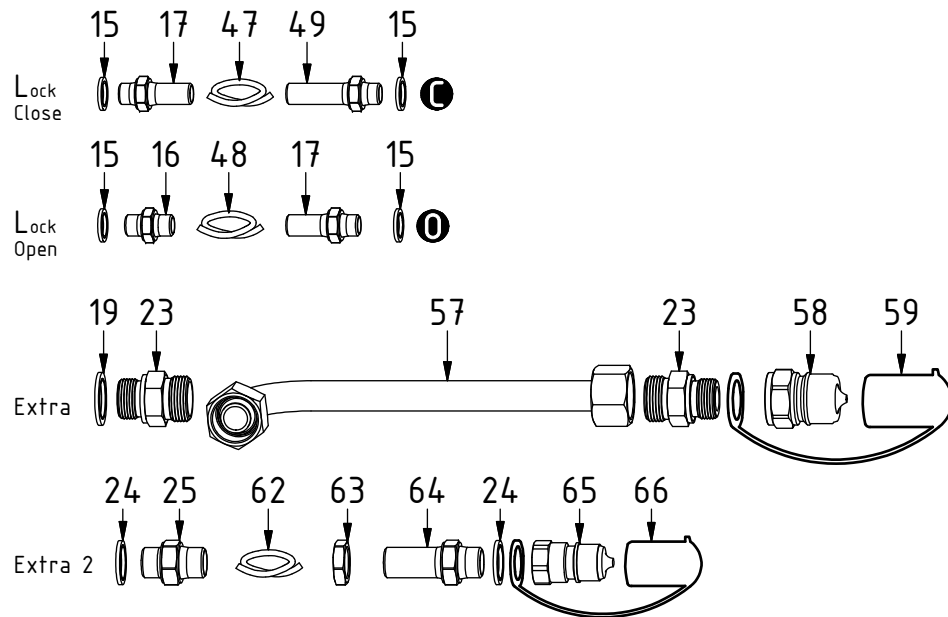


POS	DESCRIPTION	PART	QTY	COMMENTS
12	For option Drain			See p.6 for instruction
13	Washer NL 8mm	611040	16	
14	Screw MC6S M8x45 12.9 ZFSL	6000399	12	
15	Washer GBR04 1/4	710702	4	
16	Adapter 136-04-04 (1/4")	7000531	1	
17	Adapter 1260-04-04 (1/4")	710240	2	
18	Plug 70125-06 (3/8")	711504	2	
19	Washer GBR12 3/4	710706	2	QTY: 3 for EC-Oil
20	Adapter 136-12-12 (3/4")	710126	1	
21	Adapter 236-12-12	712226	2	
22	Adapter 401-12-12 90° (3/4")	712201	1	
23	Adapter M30x2 // G3/4	7001855	4	
24	Washer GBR06 3/8	710703	4	
25	Adapter 136-06-06 (3/8")	710106	2	
26	Holder pipe clamp QSM	1072385	2	
27	Screw MC6S M10x20 12.9	610451	4	
60	Pipe clamp Extra	7001889	4	
61	Screw MC6S M10x45 12.9 ZFSL	612021	4	

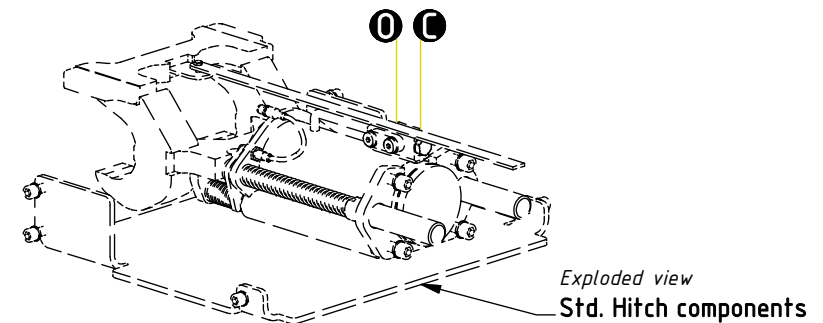
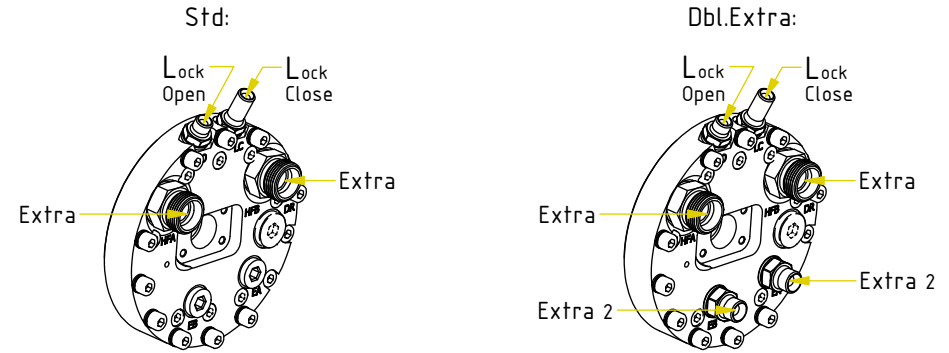
Without EC-Oil



Dbl.Extra:



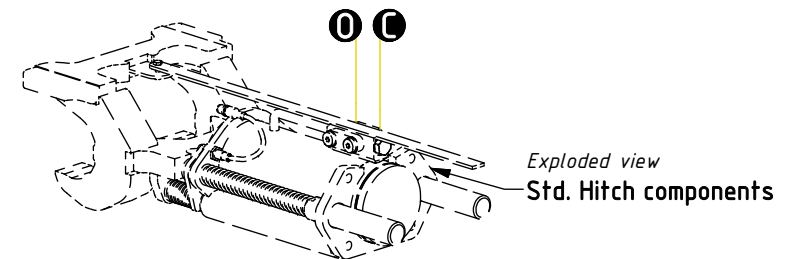
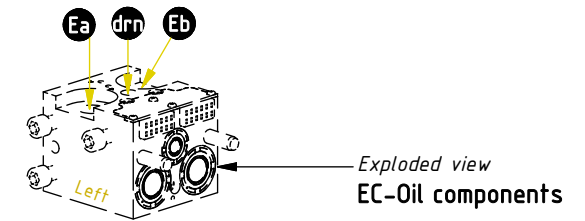
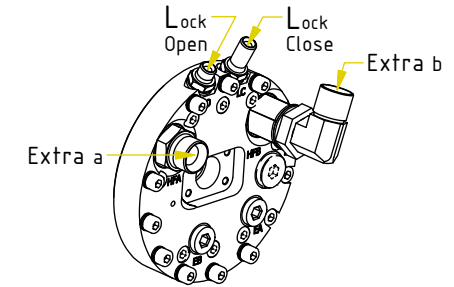
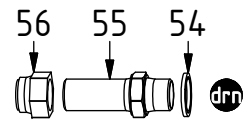
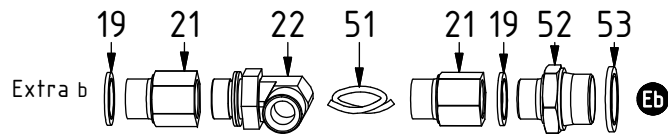
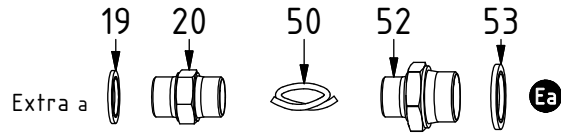
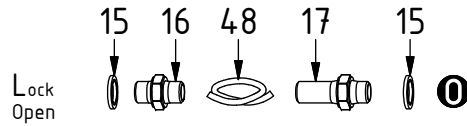
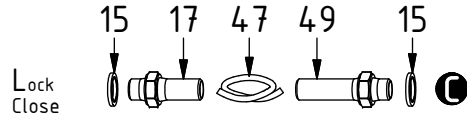
POS	DESCRIPTION	PART	QTY	COMMENTS
12	For option Drain			See p.6 for instruction
15	Washer GBR04 1/4	710702	4	
16	Adapter 136-04-04 (1/4")	7000531	1	
17	Adapter 1260-04-04 (1/4")	710240	2	
19	Washer GBR12 3/4	710706	2	QTY: 3 for EC-Oil
23	Adapter M30x2 // G3/4	7001855	4	
24	Washer GBR06 3/8	710703	4	
25	Adapter 136-06-06 (3/8")	710106	2	
47	Hose Lock A	7001876	1	
48	Hose Lock B	7001893	1	
49	Adapter 1260-04-40 (1/4")	710261	1	
57	Pipe Extra QS80 QSM	1072343	2	
58	Quick coupling 3/4"	790193	2	
59	Dust protection 3/4"	790195	2	
62	Hose Extra 2	7001894	2	Dbl.Extra
63	Counternut 1270-06 (3/8")	710252	2	
64	Adapter 1260-06-32 (3/8")	710242	2	
65	Quick coupling 3/8"	790113	2	
66	Dust protection 3/8"	790120	2	



POS in order of assembly

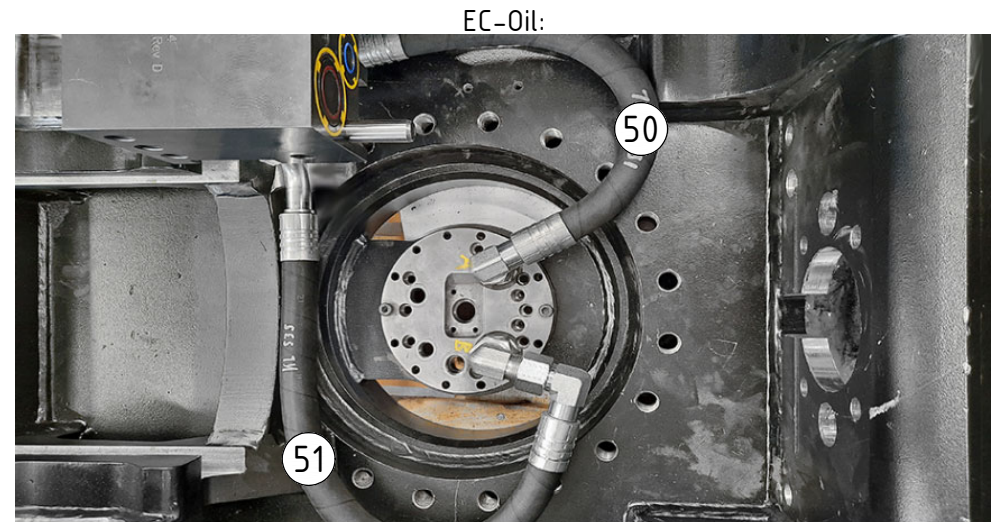
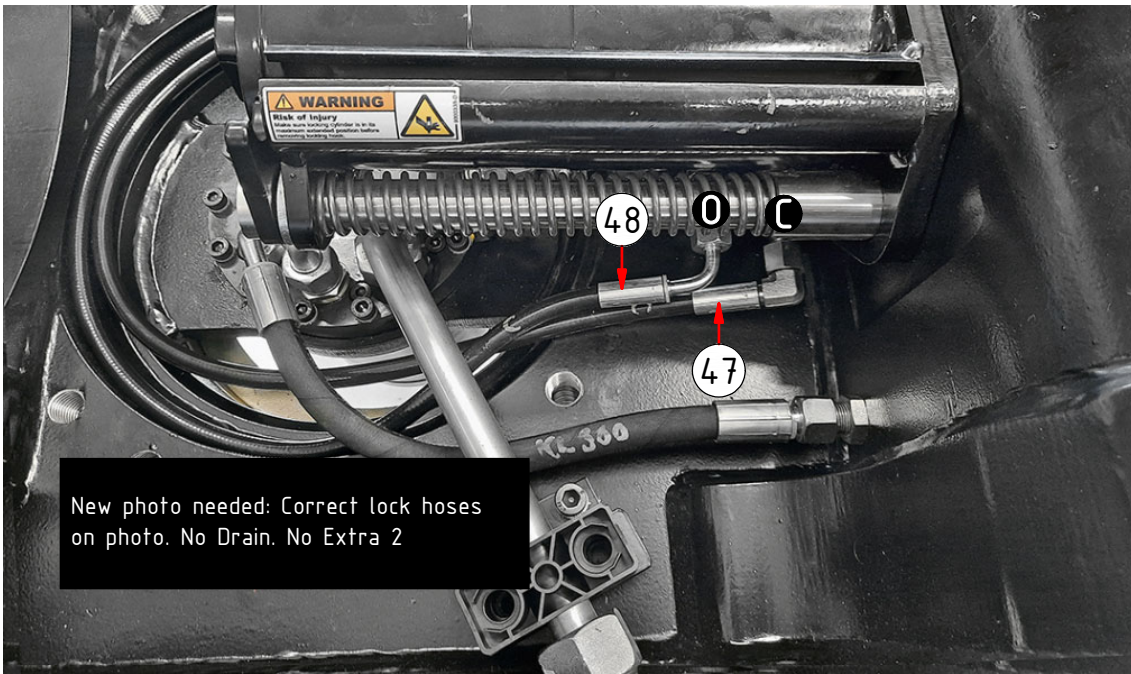
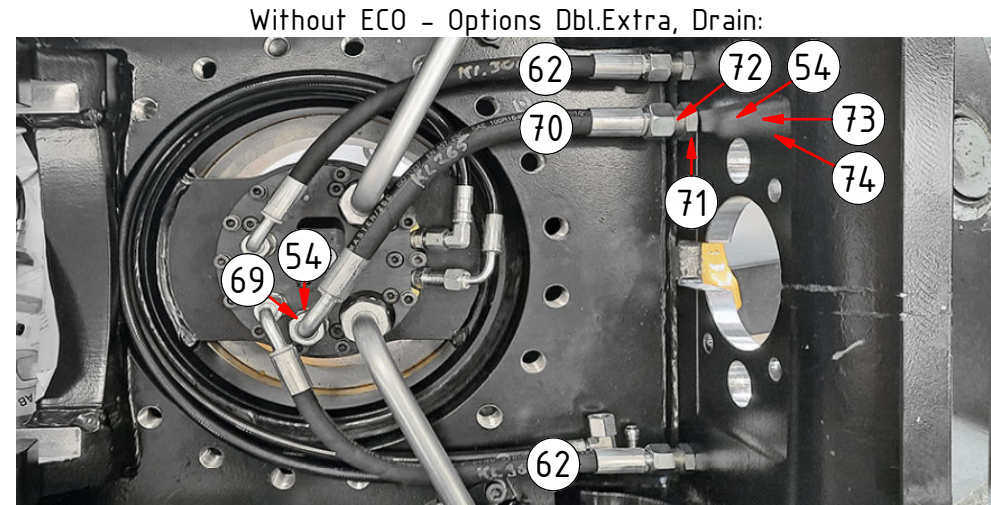
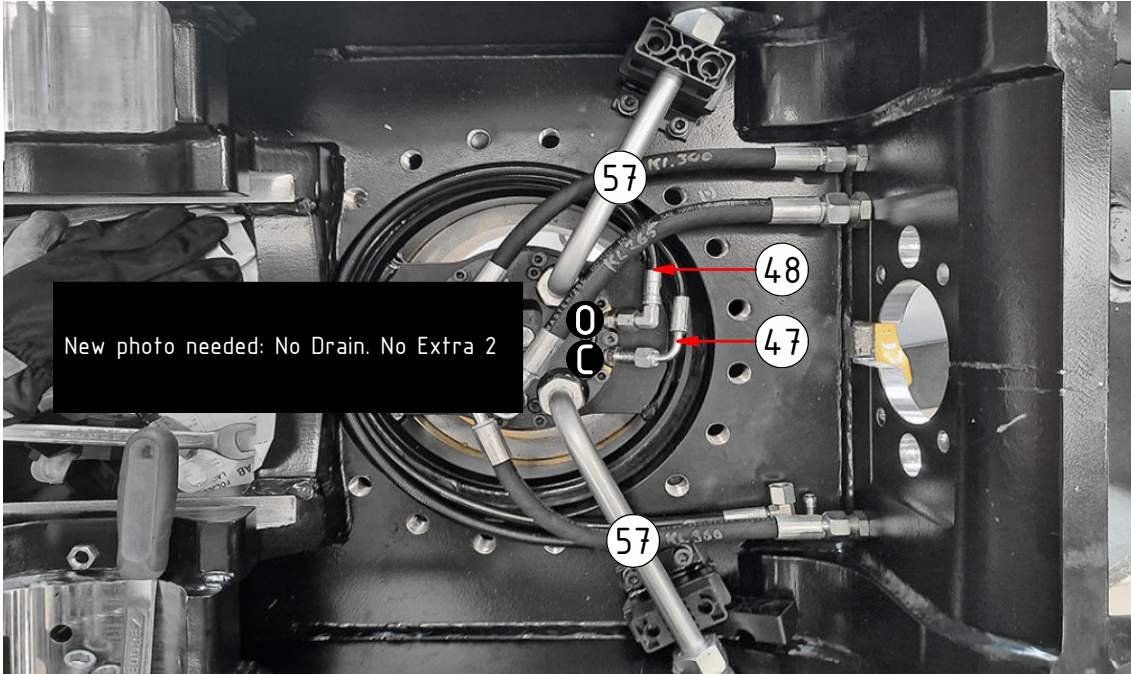
EC-Oil

POS	DESCRIPTION	PART	QTY	COMMENTS
15	Washer GBR04 1/4	710702	4	
16	Adapter 136-04-04 (1/4")	7000531	1	
17	Adapter 1260-04-04 (1/4")	710240	2	
19	Washer GBR12 3/4	710706	2	QTY: 3 for EC-Oil
20	Adapter 136-12-12 (3/4")	710126	1	
21	Adapter 236-12-12	712226	2	
22	Adapter 401-12-12 90° (3/4")	712201	1	
47	Hose Lock A	7001876	1	
48	Hose Lock B	7001893	1	
49	Adapter 1260-04-40 (1/4")	710261	1	
50	Hose Extra a EC-Oil	7000681	1	
51	Hose Extra b EC-Oil	7001874	1	
52	Adapter 135-12-16 - (3/4"-1")	7000723	2	
53	Washer GBR16 1	710707	2	
54	Washer GBR08 1/2	710704	1	QTY: 2 w/o EC-Oil
55	Adapter 1260-08-45 (1/2")	710263	1	
56	Protective cap 155-08 (1/2")	711627	1	



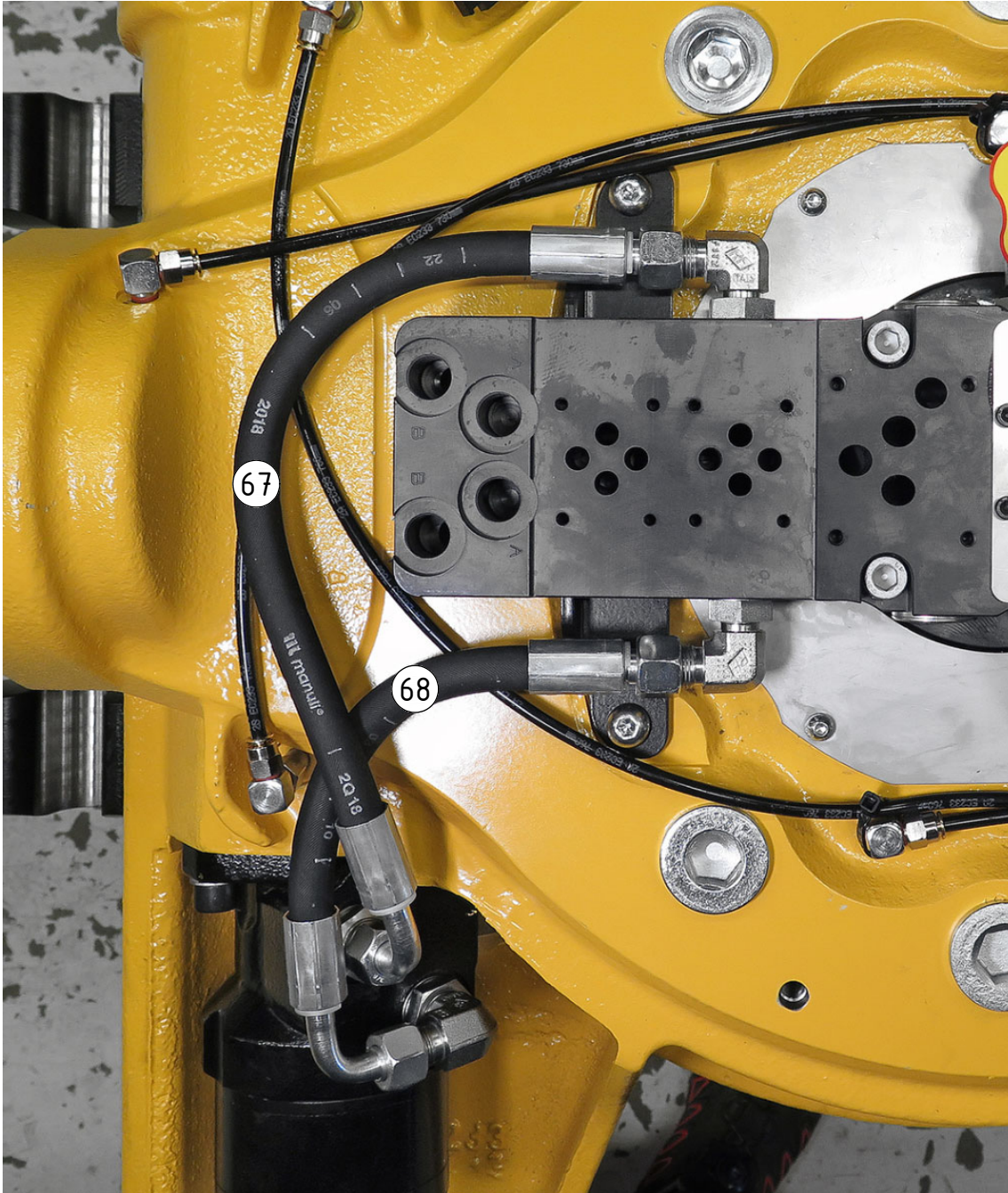
POS in order of assembly

POS	DESCRIPTION	PART	QTY	COMMENTS
47	Hose Lock A	7001876	1	
48	Hose Lock B	7001893	1	
50	Hose Extra a EC-Oil	7000681	1	
51	Hose Extra b EC-Oil	7001874	1	
54	Washer GBR08 1/2	710704	1	QTY: 2 w/o EC-Oil
57	Pipe Extra QS80 QSM	1072343	2	
62	Hose Extra 2	7001894	2	Dbl.Extra
69	Adapter 136-08-08 (1/2")	710108	1	Drain. Remove plug fr. connectionbl.
70	Hose Drain		1	Drain
71	Counternut 1270-08 (1/2")	710252	1	Drain
72	Adapter 1260-08-08 (1/2")	710244	1	Drain
73	Quick coupling 1/2"	790115	1	Drain
74	Dust Protection 1/2"	790121	1	Drain



Motor hoses

POS	DESCRIPTION	PART	QTY	COMMENTS
67	Hose hydraulic motor Long	7000451	1	
68	Hose hydraulic motor Short	7000903	1	



POS in order of assembly