

COVERSHEET

Planned document changes:


Briefly:

POS.18 glue instructions:
Loxeal 83-52 for black steering,
Loxeal 53-11 for stainless steering.

Document changes:

Date:	Change:	Rev. after change:
2023-08-29	New document.	-

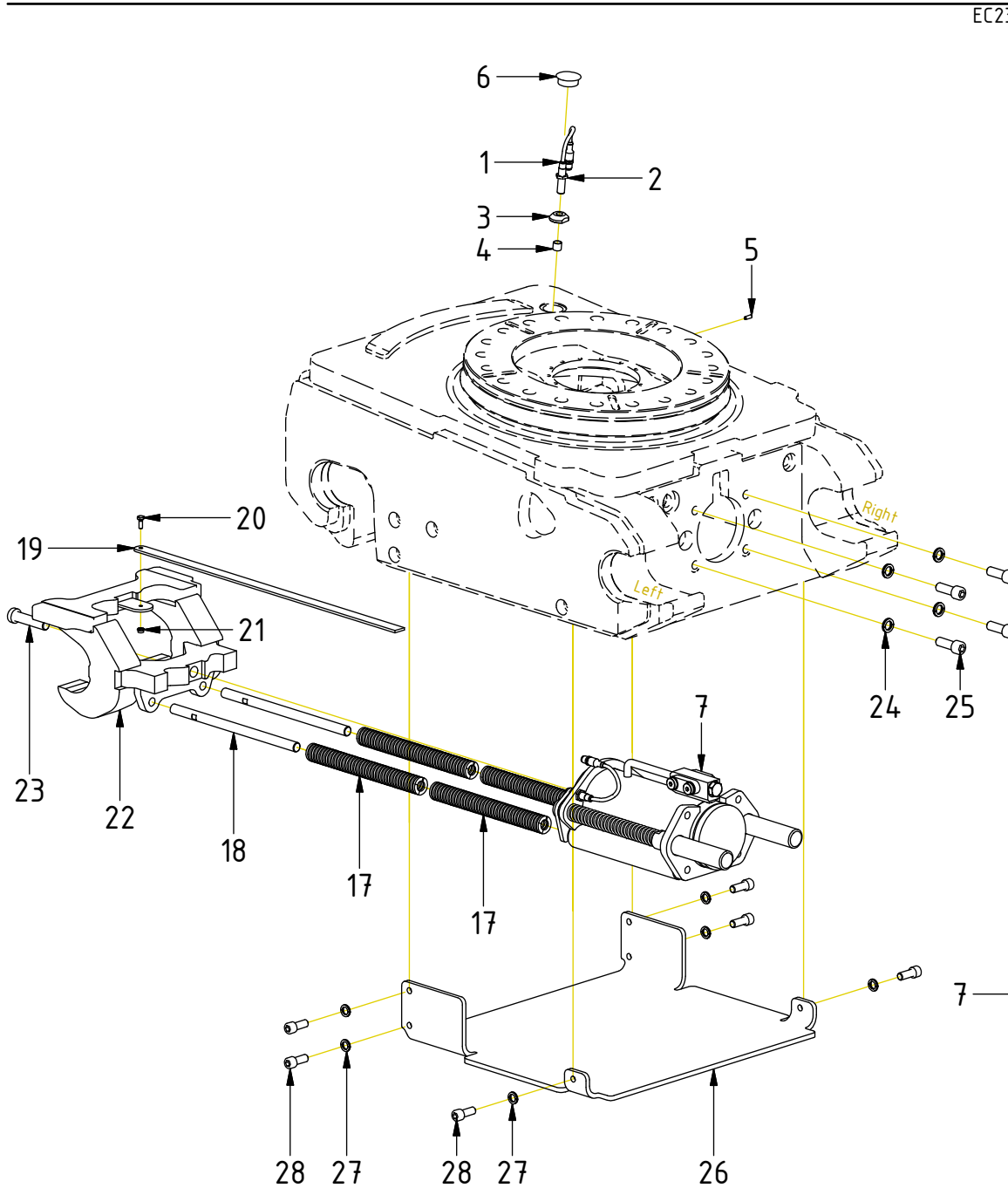
Readers note:

 Indicates instruction.

 Represents Hose.

Dashed lines for overview, mounts
on other pages/assemblies.

Std. Hitch components - QSM80



EC233	POS	DESCRIPTION	PART	QTY	COMMENTS
	1	Inductive sensor QSM	1048262	2	Connect to slip ring QSM
	2	Hex nut			(Incl. with sensor)
	3	Position nut, inductive sensor	1029432	1	
	4	Protection lid, inductive sensor	8000056	1	
	5	Set Screw M8x16	610808	1	
	6	Cover plug QS/ECO	8000068	1	
	7	Lock cylinder QSM80 Complete QSC	1072886	1	(POS.8-16 incl.)
	8	Lock cylinder QS80 V2	1048783	1	
	9	Spring 21,8x210	1049974	2	
	10	Ejector	1034935	2	
	11	Washer BRB 13x35x5 HV 350	612016	2	
	12	Sensor plate	1035535	1	Assemble with slight play
	13	Spacer M12 L15	1008243	2	
	14	Screw MF6S 12x40	610670	2	Loxéal 83-52
	15	Washer GBR04 1/4	710702	2	
	16	Plug 1/4"	711505	2	
	17	Spring 32x254	1035022	4	
	18	Steering	1024695	2	Loxéal 53-11
	19	Indicator pin QS, 610mm	1036201	1	Cut to fit
	20	Screw M6S M6x16 10.9 untreated	610109	1	
	21	Lock Nut M6M M6x1 8,8 FZB	610921	1	
	22	Hook QS80	1034775	1	
	23	Screw MLC6S M16x70 10.9	610720	1	Loxéal 83-52
	24	Washer NL 14mm	611043	4	
	25	Screw MC6S M14x40 12.9 ZFSL	6000200	4	
	26	Cover plate QS80	1039790	1	No cover plate for EC-Oil
	27	Washer NL 12mm	611042	6	
	28	Screw MC6S M12x30 12.9 ZFSL	6000142	6	

POS in order of assembly

Sensor Cylinder

POS	DESCRIPTION	PART	QTY	COMMENTS
1	Inductive sensor QSM	1048262	2	Connect to slip ring QSM
5	Set Screw M8x16	610808	1	
12	Sensor plate	1035535	1	Assemble with sligth play
29	Rubber steel clamp $\varnothing 14$	613009	2	
30	Screw K6S 5x8H 10.9 FZB ISO7380	611801	2	
31	Cable from slip ring (Ejector)			
32	Cable from slip ring (Hook)			
33	Cable from slip ring (ECO)			

Photo needed: Cylinder with sensor and sensor plate, seen from above

Sensor Hook

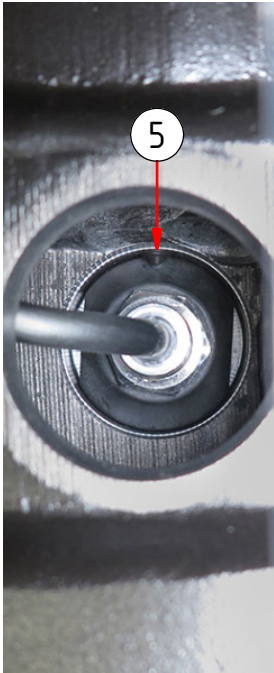


Photo needed: Sensor and set screw in hitch/hook

Sensor Cables

Photo needed: Sensors/sensor cables connected to slip ring