

## COVERSHEET

### Planned document changes:

Briefly:

No planned changes.

### Document changes:

Date: Change:

2023-05-12 New document.

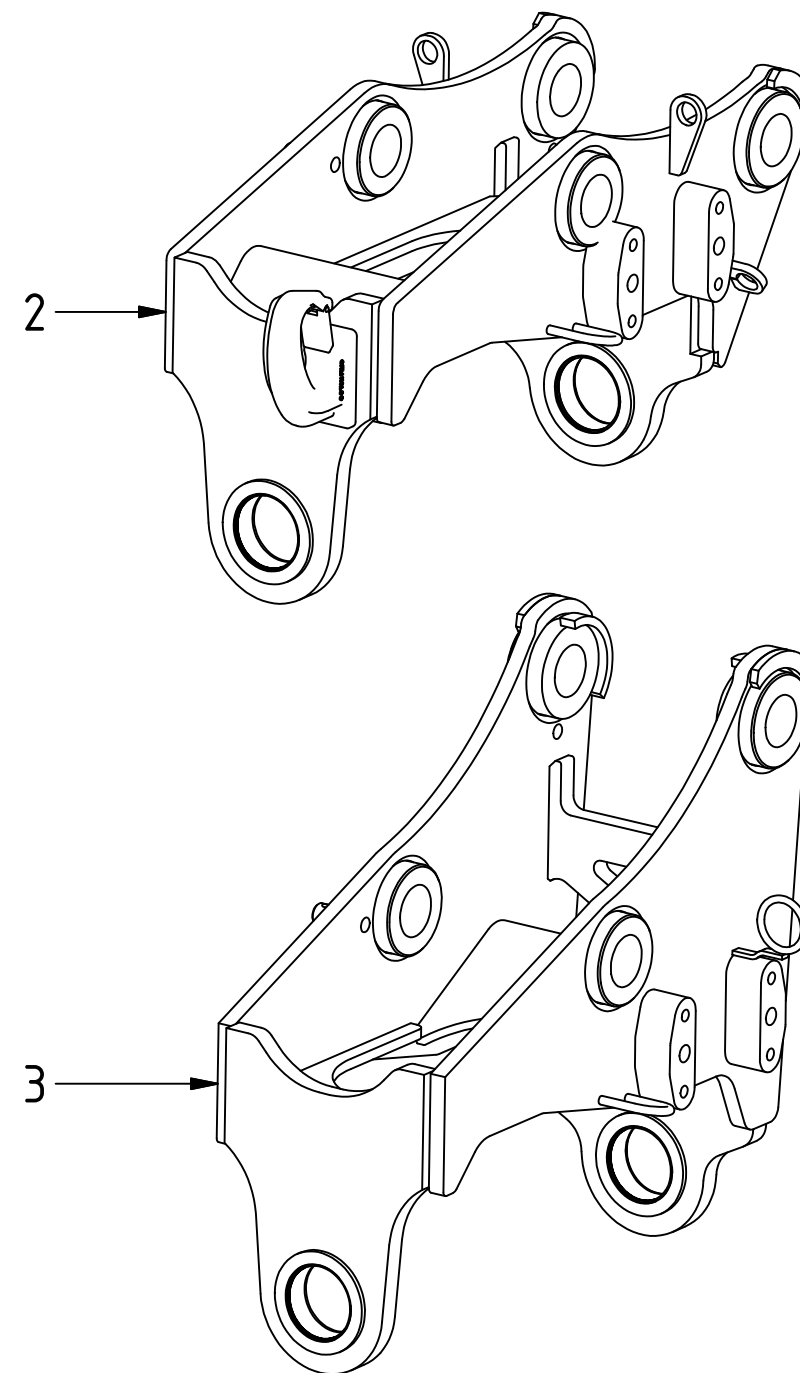
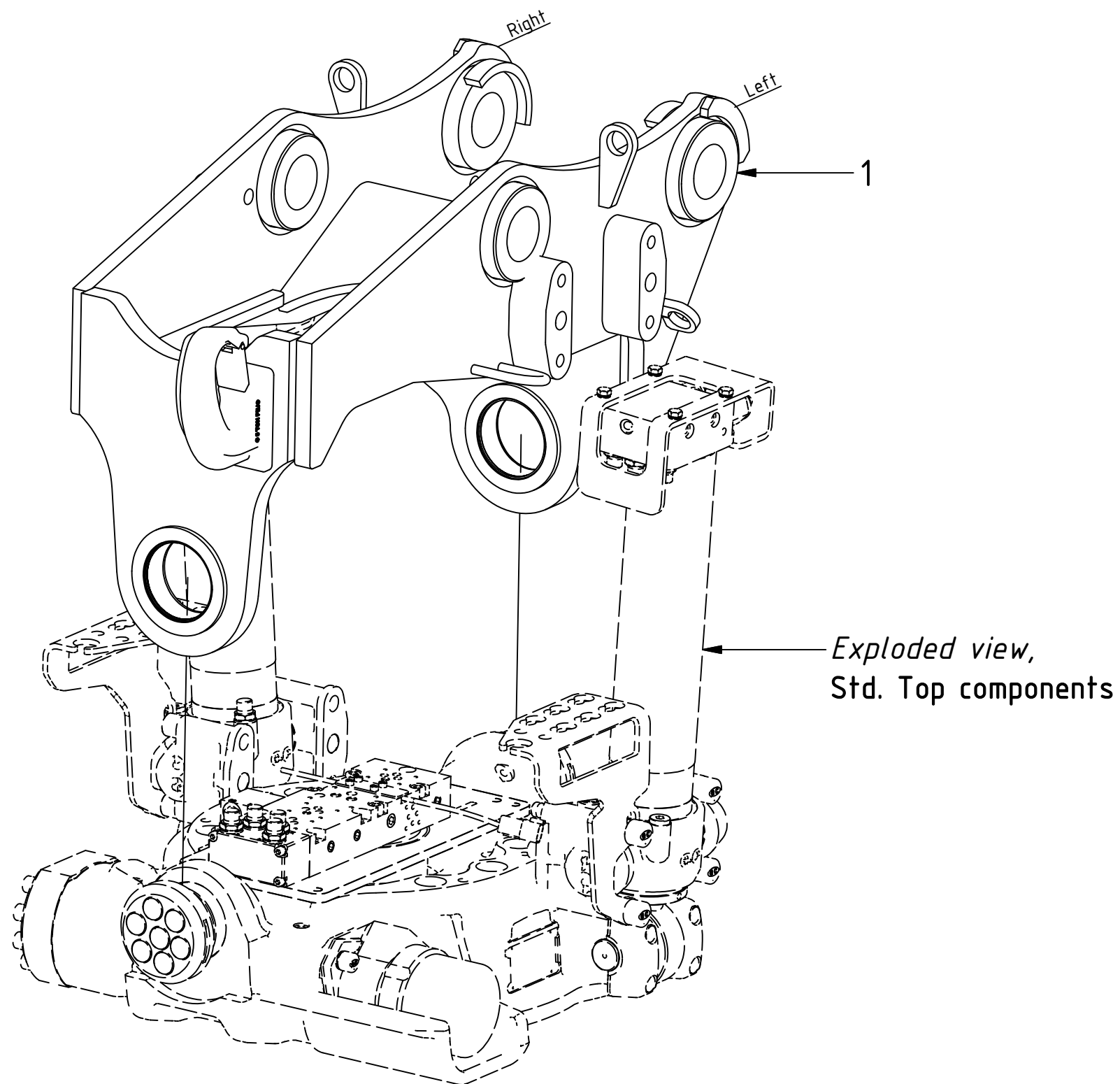
Rev.  
after change:

-

# EC219 QSM - Top part Menzi Muck

POS	DESCRIPTION	PART	QTY	COMMENTS
1	Top part A91, M3, M5	1021411	1	
2	Top part A91, M3, M5 + MSHW050	1043414	1	
3	Top part A91, M3, M5 offset-206,5	1040714	1	

POS in order of assembly



# EC219 QSM - Top part Menzi Muck

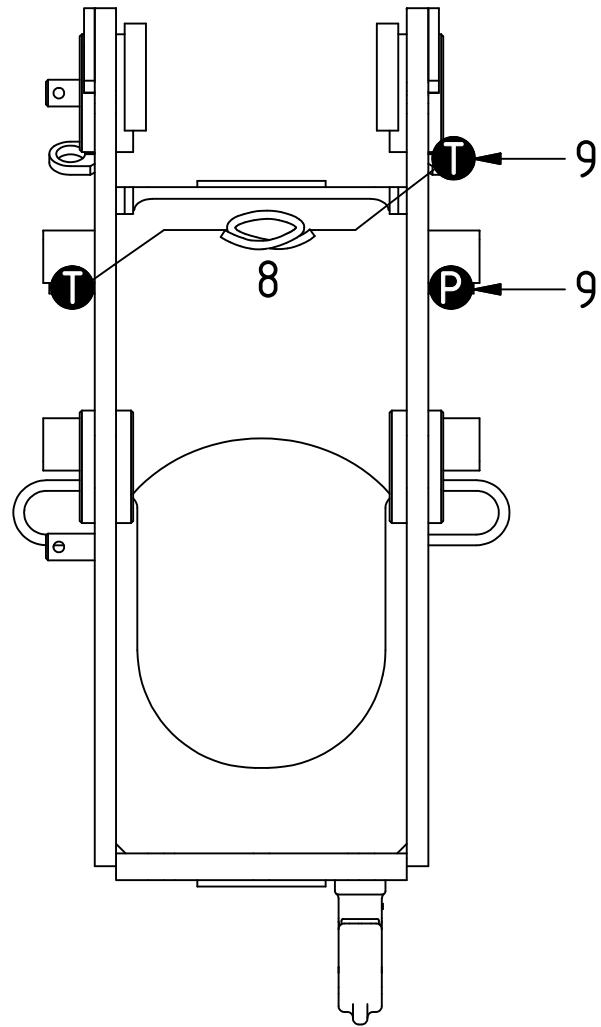
**P** = 4  
**T** = 4

FEED

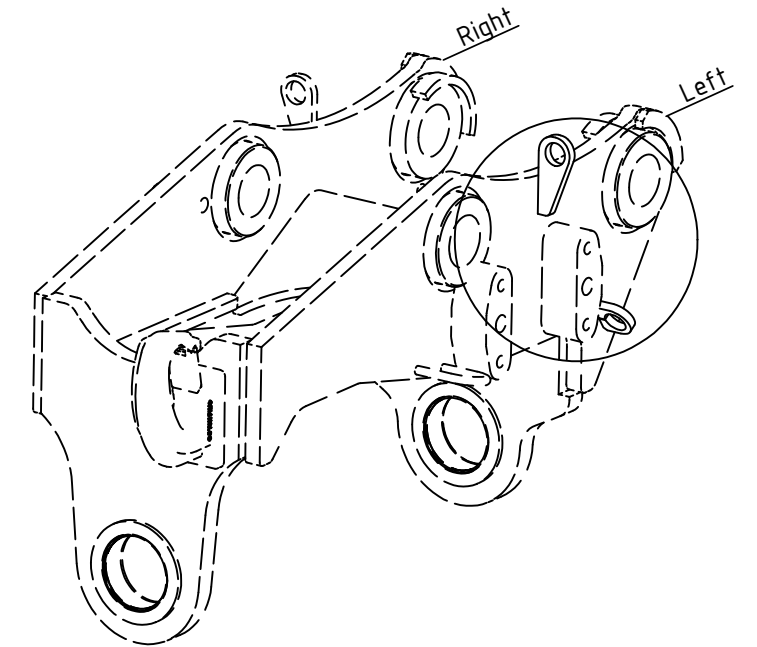
3/4"

Main feed

Standard



POS	DESCRIPTION	PART	QTY	COMMENTS
4	Use washer, adapter, nut according to POS.5, 6, 7			
5	Washer NL 1"	611095	3	
6	Adapter 1260-12-12 (3/4")	712210	3	
7	Bulkhead adapter nut 1270-12	712211	3	
8	Hose bridge All left	743012	1	
9	Hose extension Feed	7000523	2	
25	Attach feed hoses from control system			(a & b represents channels on feed block)



# EC219 QSM - Top part Menzi Muck

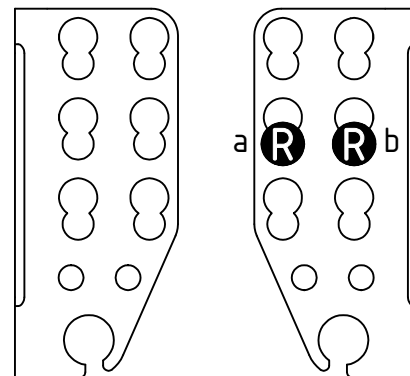
- R** = 10
- L** = 18
- tilt** = 10

FEED

3/4"

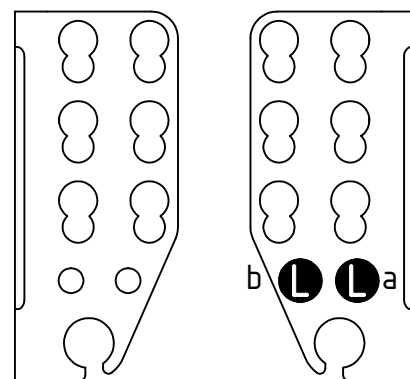
Rotation

Standard



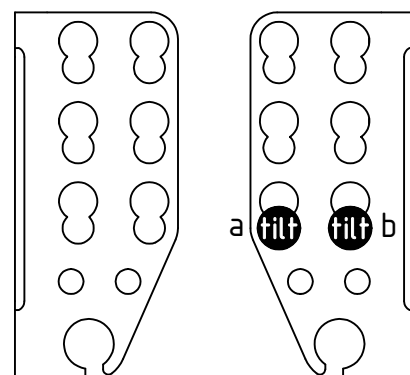
Lock (SQ)

Standard



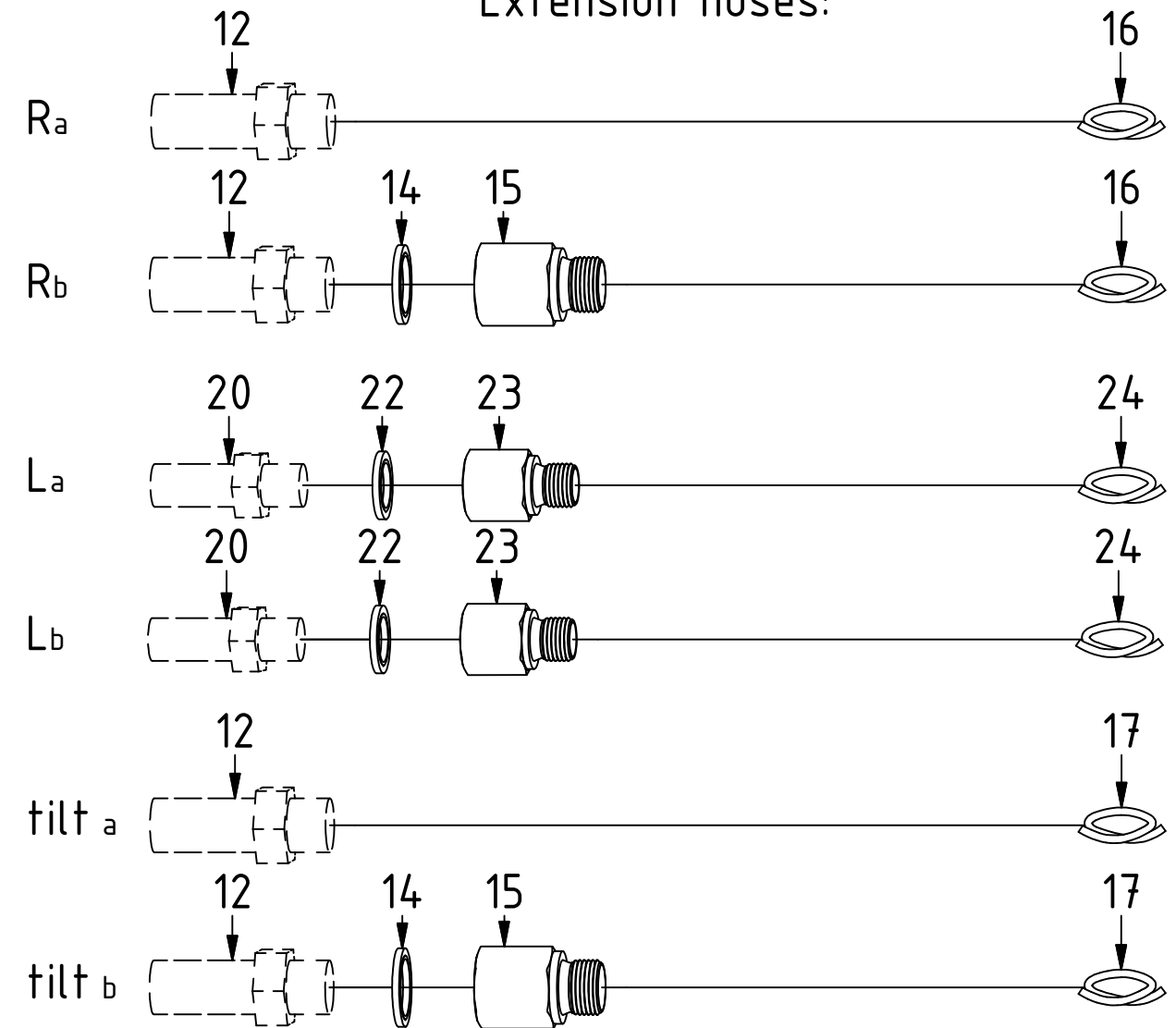
Tilt (ST)

Standard



POS	DESCRIPTION	PART	QTY	COMMENTS
10	Use washer, adapter, nut according to POS.11, 12, 13			QTY depends on terminal holes
11	Washer NL 16mm	611044	2	QTY: 2-4
12	Adapter 1260-06-32 (3/8")	710242	2	QTY: 2-4
13	Bulkhead adapter nut (3/8")	710252	2	QTY: 2-4
14	Sealing washer 3/8"	710703	1	QTY: 1-2
15	Adapter 236-06-06 (3/8")	710131	1	QTY: 1-2
16	Hose Extension Ra + Rb	7000750	2	
17	Hose Extension tilt a + tilt b	7000751	2	
18	Use washer, adapter, nut according to POS.19, 20, 21			
19	Washer NL 1/2"	611096	2	
20	Adapter 1260-04-04 (1/4")	710240	2	
21	Bulkhead adapter nut 1/4"	710250	2	
22	Sealing washer 1/4"	710702	1	
23	Adapter 236-04-04 (1/4")	1013885	1	
24	Hose Extension La + Lb	7000752	2	
25	Attach feed hoses from control system			(a & b represents channels on feed block)

Extension hoses:





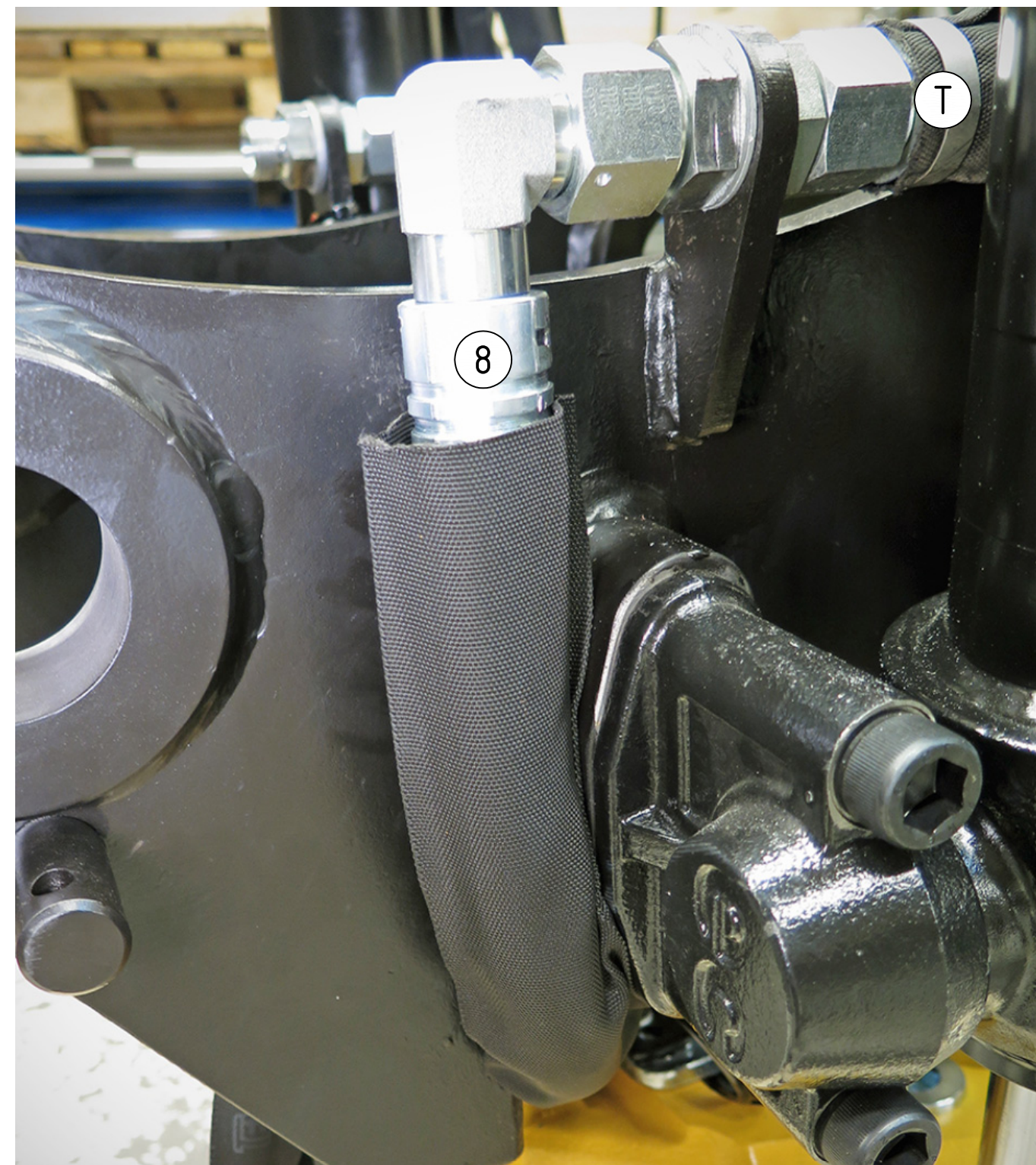
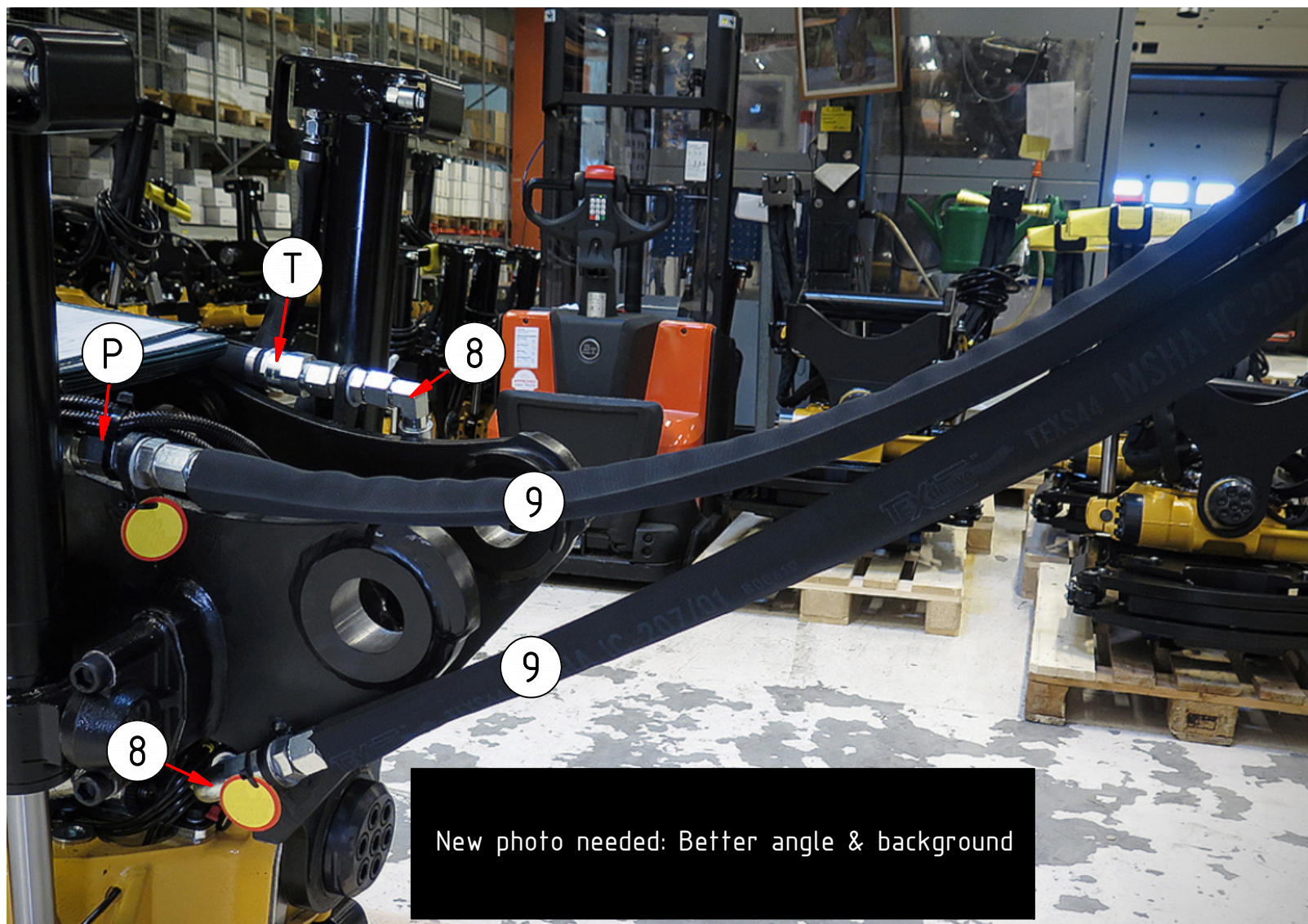
# EC219 QSM - Top part Menzi Muck

FEED

3/4"

POS	DESCRIPTION	PART	QTY	COMMENTS
8	Hose bridge All left	743012	1	
9	Hose extension Feed	7000523	2	
25	Attach feed hoses from control system			(a & b represents channels on feed block)

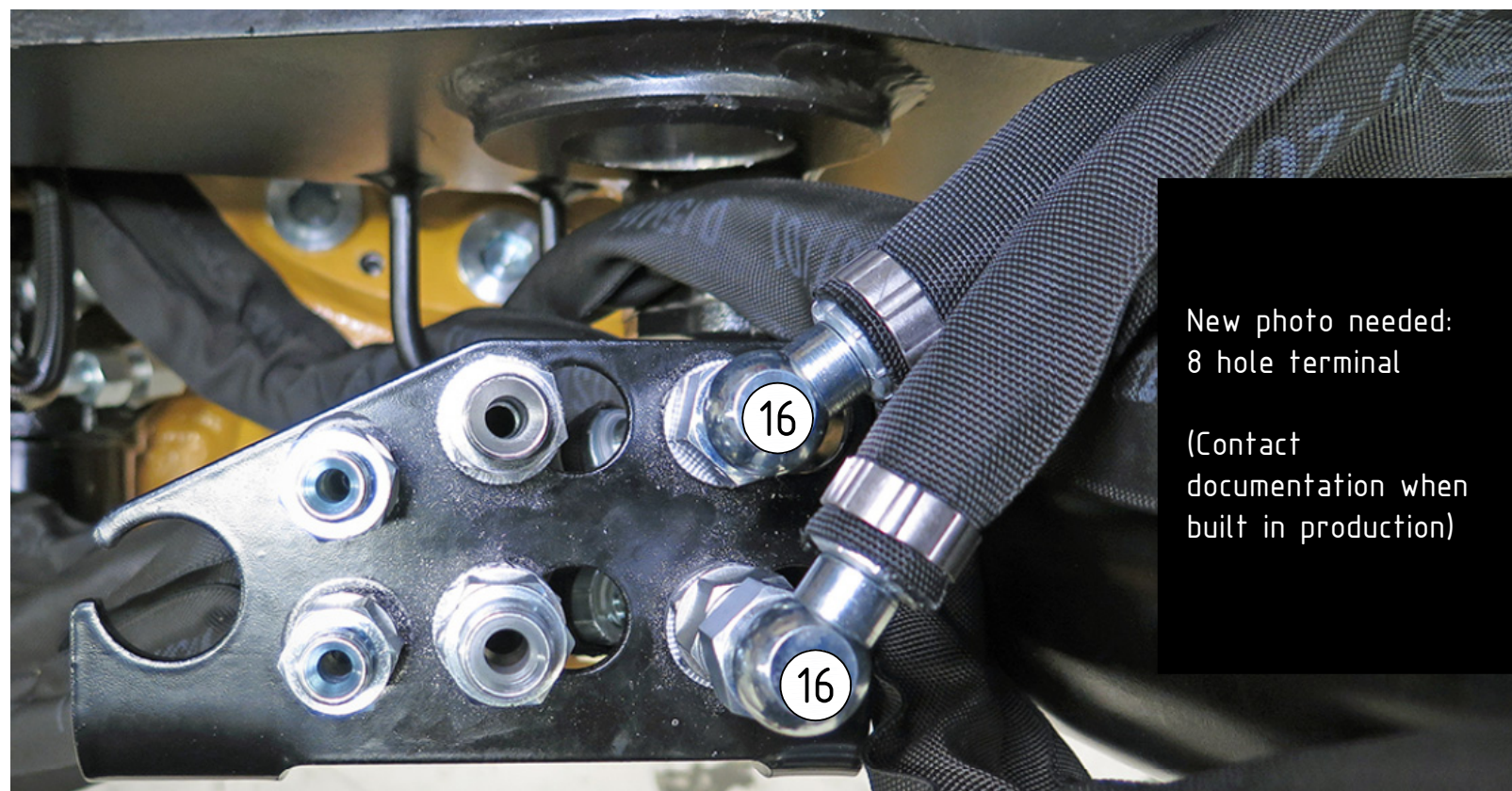
POS in order of assembly





# EC219 QSM - Top part Menzi Muck

FEED  
3/4"  
Rotation

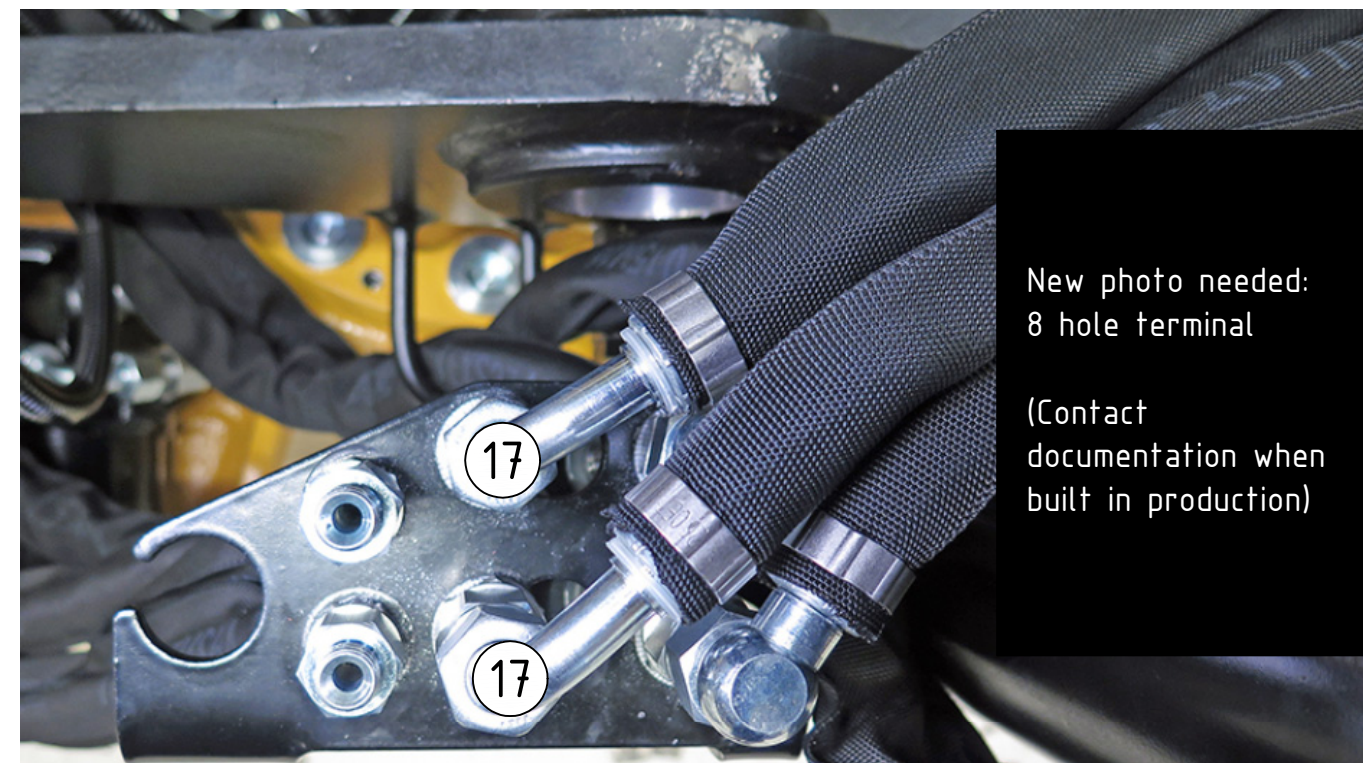


New photo needed:  
8 hole terminal  
  
(Contact  
documentation when  
built in production)

Lock

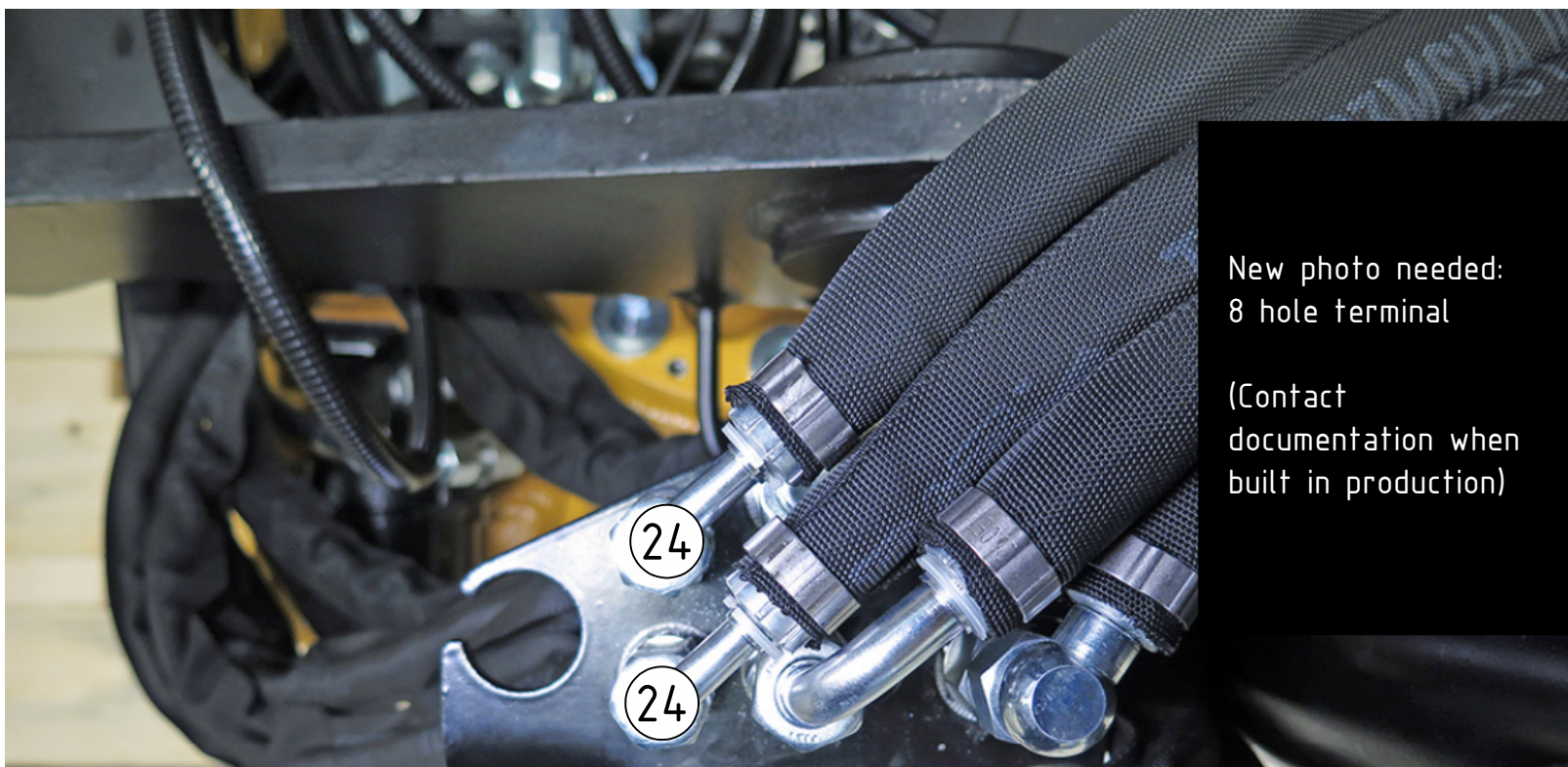
POS	DESCRIPTION	PART	QTY	COMMENTS
16	Hose Extension Ra + Rb	7000750	2	
17	Hose Extension tilt a + tilt b	7000751	2	
24	Hose Extension La + Lb	7000752	2	
25	Attach feed hoses from control system			(a & b represents channels on feed block)
26	Cable tie 7,8x360	1021587	4	

Tilt



New photo needed:  
8 hole terminal  
  
(Contact  
documentation when  
built in production)

Cable ties



New photo needed:  
8 hole terminal  
  
(Contact  
documentation when  
built in production)

