

COVERSHEET

Planned document changes:

Briefly:

No planned changes.

Document changes:

Date:	Change:	Rev. after change:
2024-05-28	DC3 cable replaced. Frame updated.	E
2024-02-19	Cover plate updated. Sideblock as std. assy.	D
2023-11-22	DC3 added.	C
2023-09-21	Options updated.	B
2023-09-06	Options added.	A
2023-05-23	New document.	-

Readers note:

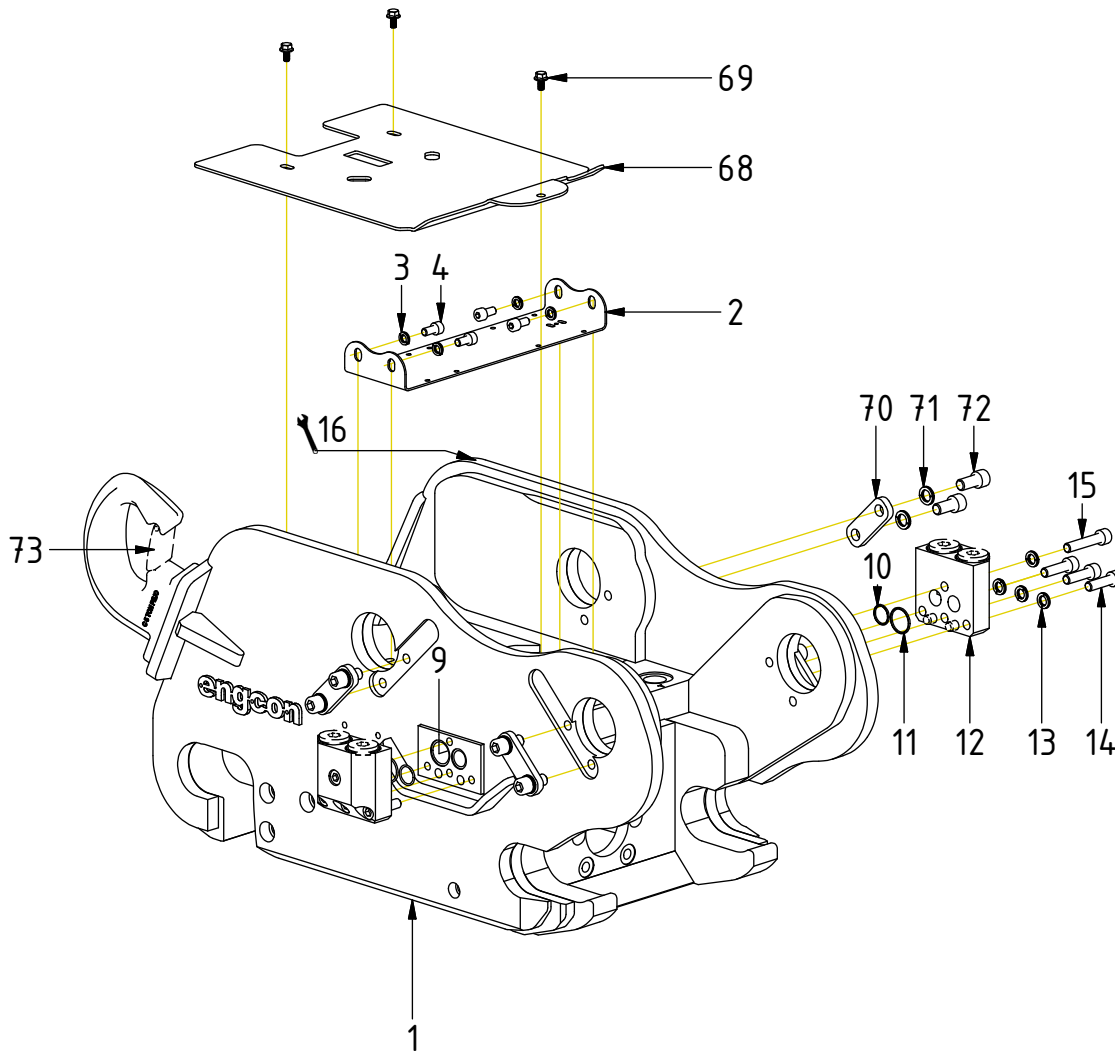
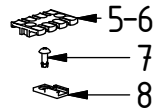
Indicates instruction.



Represents Hose.

Dashed lines for overview, mounts
on other pages/assemblies.

Machine hitch - S60



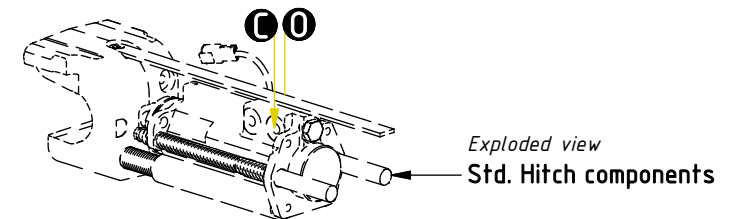
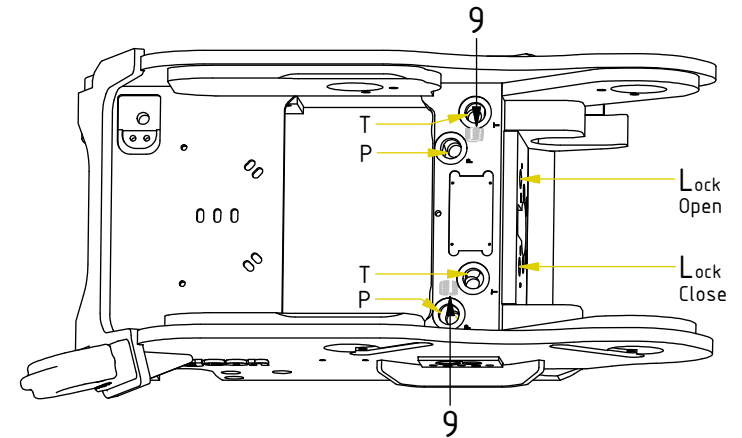
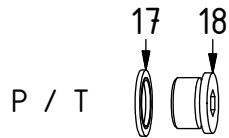
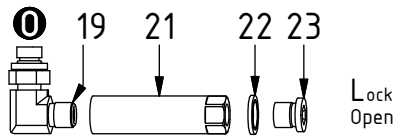
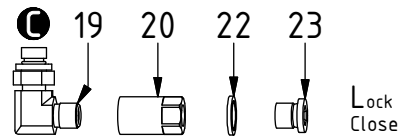
POS	DESCRIPTION	PART	QTY	COMMENTS
1	Quick hitch is selected via engcon			(Machine dependent)
2	Bolted plate S60	1071434	1	
3	Washer NL 8mm	611040	9	QTY depends on config.
4	Screw MC6S M8x16 12.9 ZFSHL	610432	4	
5	Strain relief plate ZL60	8000703	1	
6	Strain relief plate ZL87	8000704	1	
7	Blind rivet 4,0x12,3 DIN7337	6000294	10	
8	Holder Deutsch coupling	810662	6	
9	Pipe Plug 1/2" for 2bl.	711524	2	For EC-Oil 2bl. See position on p.3
10	O-ring 18,77x1,78	7001838	2	
11	O-ring 25,12x1,78	710979	2	
12	Side block S60 hose connection	1071473	2	(Plugs incl.)
13	Washer NL 10mm	611041	14	
14	Screw MC6S M10x35 12.9 Geomet	612019	9	Torque: 79Nm
15	Screw MC6S M10x50 12.9 ZFSHL	611515	2	
16	Punch serial number into hitch			
68	Cover Plate S60 V2	1074225	1	
69	Screw M6SF 8x12H Riffled	6000120	3	
70	Lock plate for axles	1067225	4	Assemble with slight play
71	Washer NL 12mm	611042	8	
72	Screw MC6S M12x25 12.9 ZFSHL	6000164	8	
73	Safety latch	404251	1	Lifting hook spare part

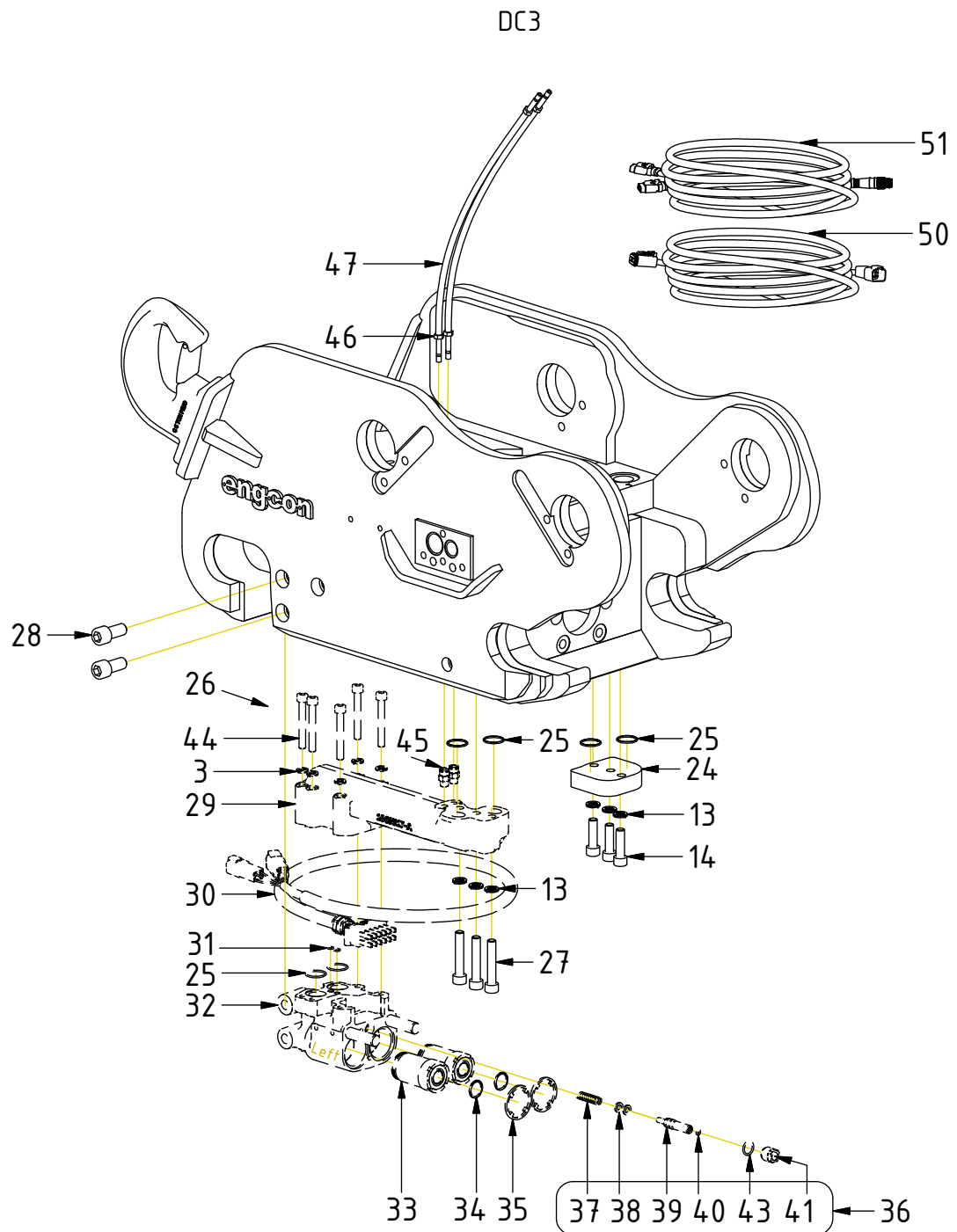
POS in order of assembly

Hydraulics

POS	DESCRIPTION	PART	QTY	COMMENTS
9	Pipe Plug 1/2" for 2bl.	711524	2	For EC-Oil 2bl.
17	Washer GBR12 3/4	710706	4	
18	Plug DIN 908 3/4"	7000799	4	
19	Adapter 067005-04-04 (1/4")	7000247	2	
20	Lock adapter tube Short S60	1071217	1	Loxéal 83-52
21	Lock adapter tube Long S60	1071216	1	Loxéal 83-52
22	Washer GBR04 1/4	710702	2	
23	Plug 153-04 (1/4")	711505	2	

POS in order of assembly

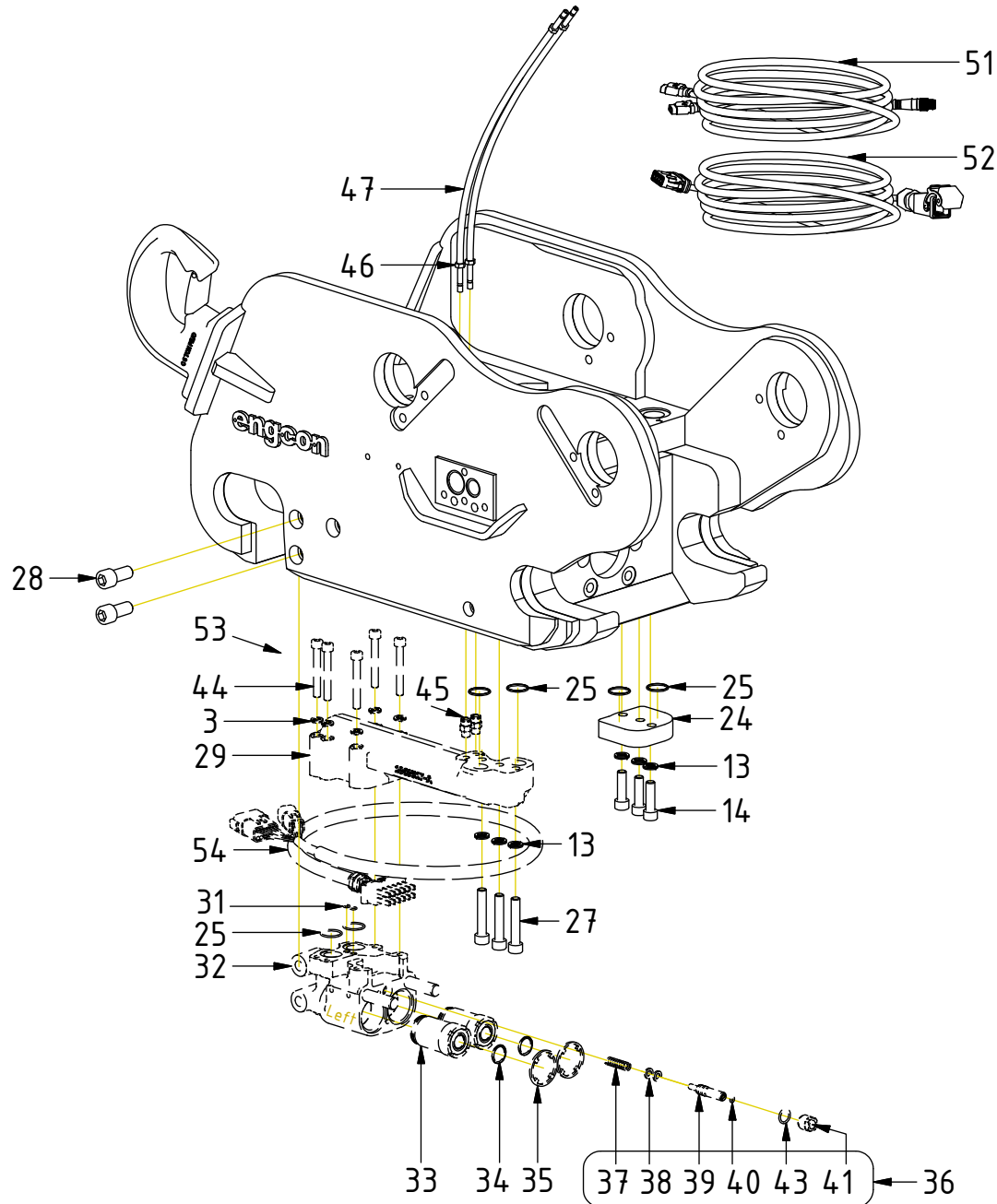




POS	DESCRIPTION	PART	QTY	COMMENTS
3	Washer NL 8mm	611040	9	QTY depends on config.
13	Washer NL 10mm	611041	14	
14	Screw MC6S M10x35 12.9 Geomet	612019	9	Torque: 79Nm
24	Covering plate S60 machined	1071029	1	
25	O-ring 21,95x1,78	7001829	6	
26	Connection bl. w. ECO hy.el.cl. DC3 Complete	1073836	1	(POS.3, 25, 29-33,35-36,44-45 incl.)
27	Screw MC6S M10x55 12.9 ZFSL	612022	3	
28	MC6S M14x30 12.9 ZFSL	6000197	2	Loxal 83-52
29	Connection block ECO Left	1069516	2	
30	Power plug ECO W Hitch (4P, 6P)	8002155	1	Cable gland torque: 6Nm
31	O-ring 4,48x1,78	7001849	4	
32	Block ECO60 W Hitch S60 Left	1070300	2	
33	Coupling ECO W 1/2" V3	1054580	2	Torque: 60Nm. (POS.34 incl.)
34	Flat sealing for ECO W 1/2" V3	1050018	2	
35	Dirt protection block ECO 1/2"	1028229	2	
36	Lubrication kit ECO W V2	1050794	1	(POS.37-43 incl.)
37	Spring 6058	1024113	1	
38	Piston sealing KPOR130 12x7,1x2,2	1024112	2	(O-ring incl. with seal ring)
39	Grease piston	1024111	1	
40	O-ring 3,69x1,78	1024115	1	
41	Nut grease piston	1047688	1	Wrap with thread sealing tape
42	O-ring 9,25x1,78	712429	1	Located inside nut
43	O-ring 14x2	7000767	1	
44	MC6S M8x60 12.9	610441	5	
45	Push-in coupling R1/8"	790172	4	
46	Pipe stub straight Push-in	790175	2	
47	Hose 2m - lubricant ECO	790176	2	
50	Cable 3m ECO W DC3 (4S, 4P)	8002297	1	Attach to 4P
51	Cable QS - QLM - Quick hitch	842149	1	Attach to QS sensors

POS in order of assembly

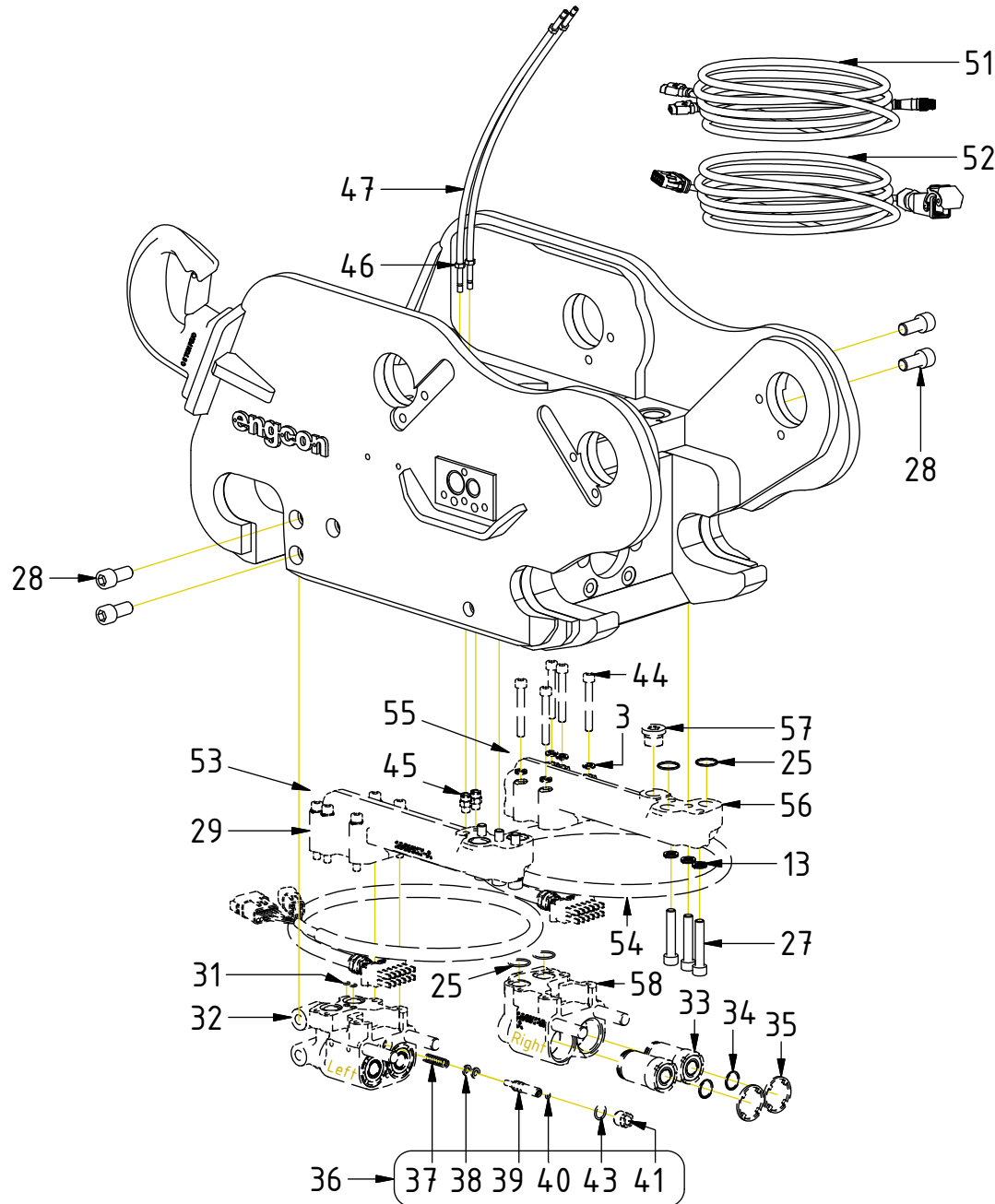
DC2 Std. config.



POS	DESCRIPTION	PART	QTY	COMMENTS
3	Washer NL 8mm	611040	9	QTY depends on config.
13	Washer NL 10mm	611041	14	
14	Screw MC6S M10x35 12.9 Geomet	612019	9	Torque: 79Nm
24	Covering plate S60 machined	1071029	1	
25	O-ring 21,95x1,78	7001829	6	
27	Screw MC6S M10x55 12.9 ZFSHL	612022	3	
28	MC6S M14x30 12.9 ZFSHL	6000197	2	Loxeal 83-52
29	Connection block ECO Left	1069516	2	
31	O-ring 4,48x1,78	7001849	4	
32	Block ECO60 W Hitch S60 Left	1070300	2	
33	Coupling ECO W 1/2" V3	1054580	2	Torque: 60Nm. (POS.34 incl.)
34	Flat sealing for ECO W 1/2" V3	1050018	2	
35	Dirt protection block ECO 1/2"	1028229	2	
36	Lubrication kit ECO W V2	1050794	1	(POS.37-43 incl.)
37	Spring 6058	1024113	1	
38	Piston sealing KPOR130 12x7,1x2,2	1024112	2	(O-ring incl. with seal ring)
39	Grease piston	1024111	1	
40	O-ring 3,69x1,78	1024115	1	
41	Nut grease piston	1047688	1	Wrap with thread sealing tape
42	O-ring 9,25x1,78	712429	1	Located inside nut
43	O-ring 14x2	7000767	1	
44	MC6S M8x60 12.9	610441	5	
45	Push-in coupling R1/8"	790172	4	
46	Pipe stub straight Push-in	790175	2	
47	Hose 2m - lubricant ECO	790176	2	
51	Cable QS - QLM - Quick hitch	842149	1	Attach to QS sensors
52	Machine cable ECO60 W DC2	1048528	1	Attach to 12P
53	Connect.bl. w ECO hy.el.ct. DC2 Comp.	1071930	1	(POS.3,25,29,31-33,35-36,44-45,54)
54	Power plug ECO W Hitch (12P, 6P)	8002050	1	Cable gland torque: 6Nm

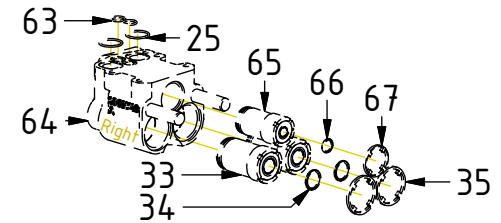
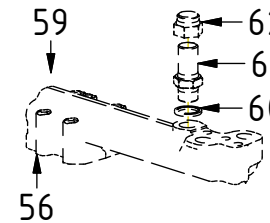
POS in order of assembly

DC2 Option 2bl.



POS	DESCRIPTION	PART	QTY	COMMENTS
3	Washer NL 8mm	611040	9	QTY depends on config.
13	Washer NL 10mm	611041	14	
25	O-ring 21,95x1,78	7001829	6	
27	Screw MC6S M10x55 12.9 ZFSHL	612022	3	
28	MC6S M14x30 12.9 ZFSHL	6000197	2	Loxal 83-52
29	Connection block ECO Left	1069516	2	
31	O-ring 4,48x1,78	7001849	4	
32	Block ECO60 W Hitch S60 Left	1070300	2	
33	Coupling ECO W 1/2" V3	1054580	2	Torque: 60Nm. (POS.34 incl.)
34	Flat sealing for ECO W 1/2" V3	1050018	2	
35	Dirt protection block ECO 1/2"	1028229	2	
36	Lubrication kit ECO W V2	1050794	1	(POS.37-43 incl.)
37	Spring 6058	1024113	1	
38	Piston sealing KPOR130 12x7,1x2,2	1024112	2	(O-ring incl. with seal ring)
39	Grease piston	1024111	1	
40	O-ring 3,69x1,78	1024115	1	
41	Nut grease piston	1047688	1	Wrap with thread sealing tape
42	O-ring 9,25x1,78	712429	1	Located inside nut
43	O-ring 14x2	7000767	1	
44	MC6S M8x60 12.9	610441	5	
45	Push-in coupling R1/8"	790172	4	
46	Pipe stub straight Push-in	790175	2	
47	Hose 2m - lubricant ECO	790176	2	
51	Cable QS - QLM - Quick hitch	842149	1	Attach to QS sensors
52	Machine cable ECO60 W DC2	1048528	1	Attach to Left 12P
53	Connect.bl. w ECO hy.el.ct. DC2 Comp.	1071930	1	(POS.3,25,29,31-33,35-36,44-45,54)
54	Power plug ECO W Hitch (12P, 6P)	8002050	1	Cable gland torque: 6Nm
55	Connection bl. w. ECO hy.el. Compl.	1071932	1	(POS.3, 25, 30, 33, 35, 44, 49-51)
56	Connection block ECO Right	1069728	1	
57	Plug 70125-08 (1/2")	711500	1	
58	Block ECO60 W Hitch S60 Right	1071805	1	
59	Connection bl. w. ECO 3hy. Compl.	1071931	1	(POS.3, 25, 33, 35, 44, 56, 60-67)
60	Washer GBR08 1/2	710704	1	
61	Adapter 1260-08-08 (1/2")	710244	1	
62	Protective Bonnet 155-08 (1/2")	711627	1	
63	O-ring 12,42x1,78 - NBR 90	7001842	2	
64	Block ECO60 W Hitch S60 Right 3hy.	1070496	1	
65	Coupling ECO 3/8" V3	1053029	1	(POS.66 incl.)
66	Flat sealing for ECO 3/8" V3	1052976	1	
67	Dirt protection block ECO 3/8"	1028274	1	

Option 5 hyd:

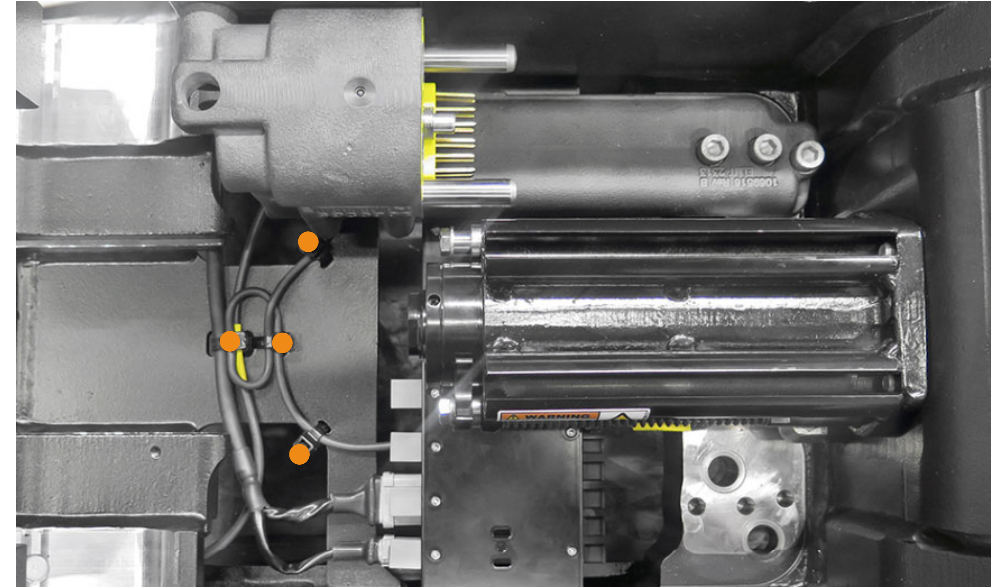
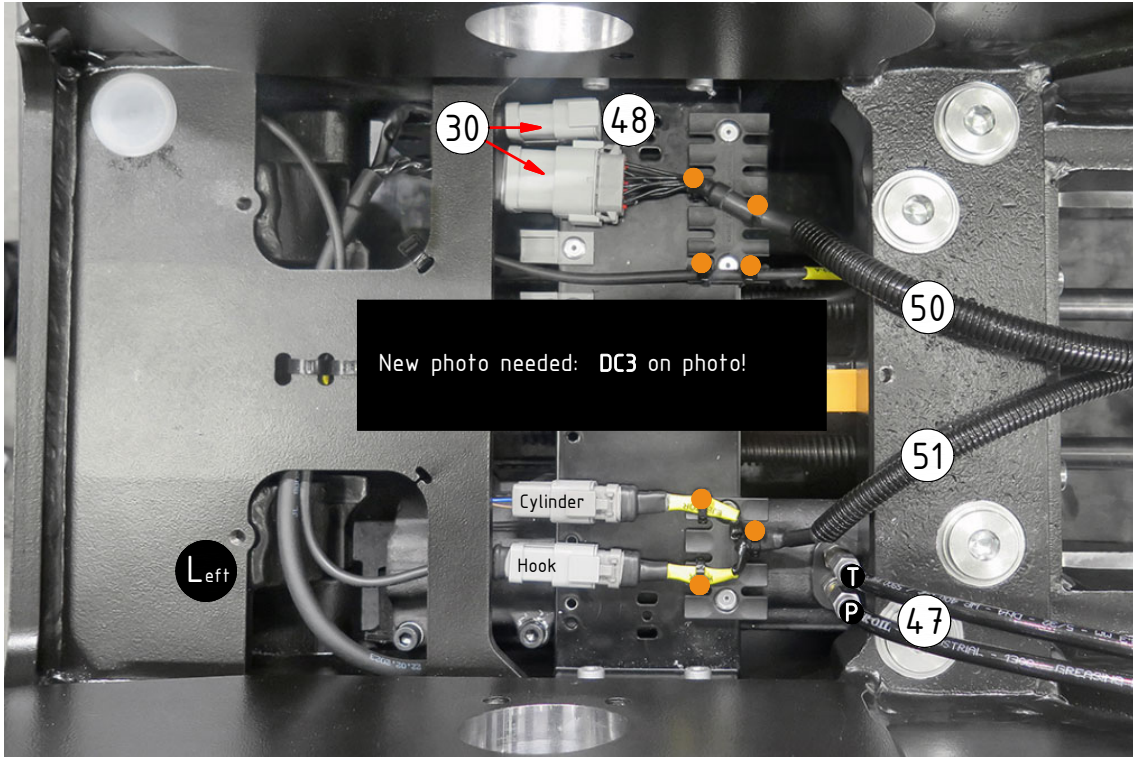


POS in order of assembly

DC3

POS	DESCRIPTION	PART	QTY	COMMENTS
30	Power plug ECO W Hitch (4P, 6P)	8002155	1	Cable gland torque: 6Nm
47	Hose 2m - lubricant ECO	790176	2	
48	Plug for 6P	8000620	1	QTY depends on config.
50	Cable 3m ECO W DC3 (4S, 4P)	8002297	1	Attach to 4P
51	Cable QS - QLM - Quick hitch	842149	1	Attach to QS sensors
●	Use cable ties			

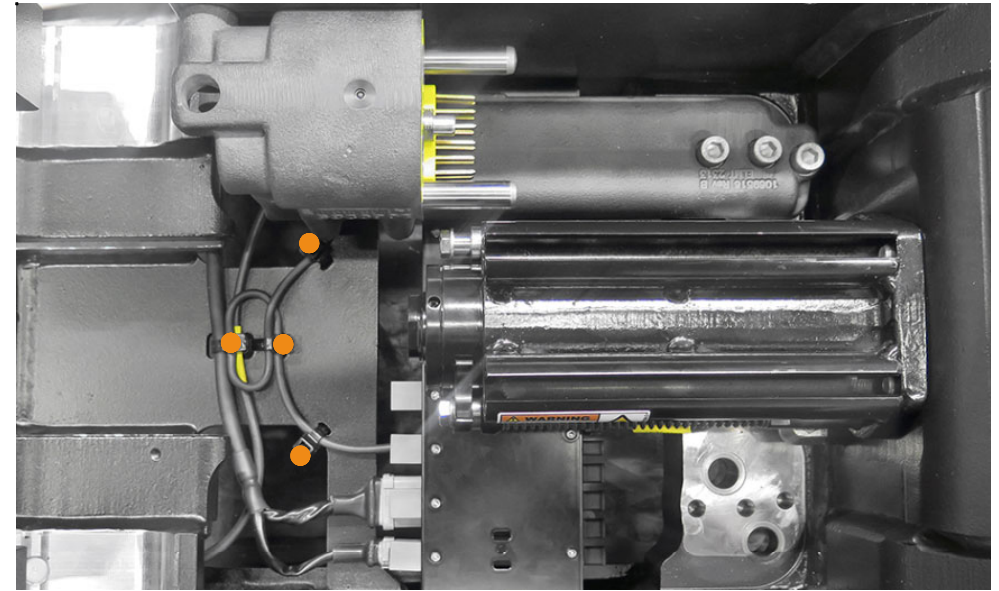
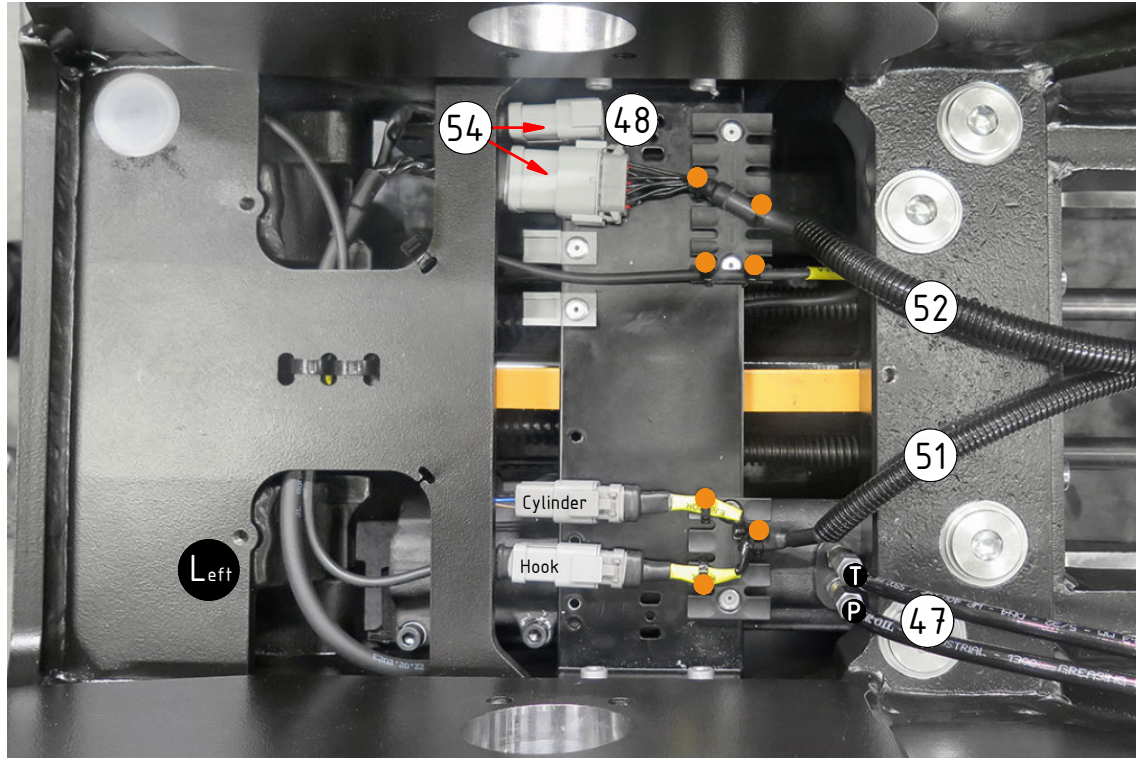
POS in order of assembly



DC2 Std. config.

POS	DESCRIPTION	PART	QTY	COMMENTS
47	Hose 2m - lubricant ECO	790176	2	
48	Plug for 6P	8000620	1	QTY depends on config.
51	Cable QS - QLM - Quick hitch	842149	1	Attach to QS sensors
52	Machine cable ECO60 W DC2	1048528	1	Attach to 12P
54	Power plug ECO W Hitch (12P, 6P)	8002050	1	Cable gland torque: 6Nm
●	Use cable ties			

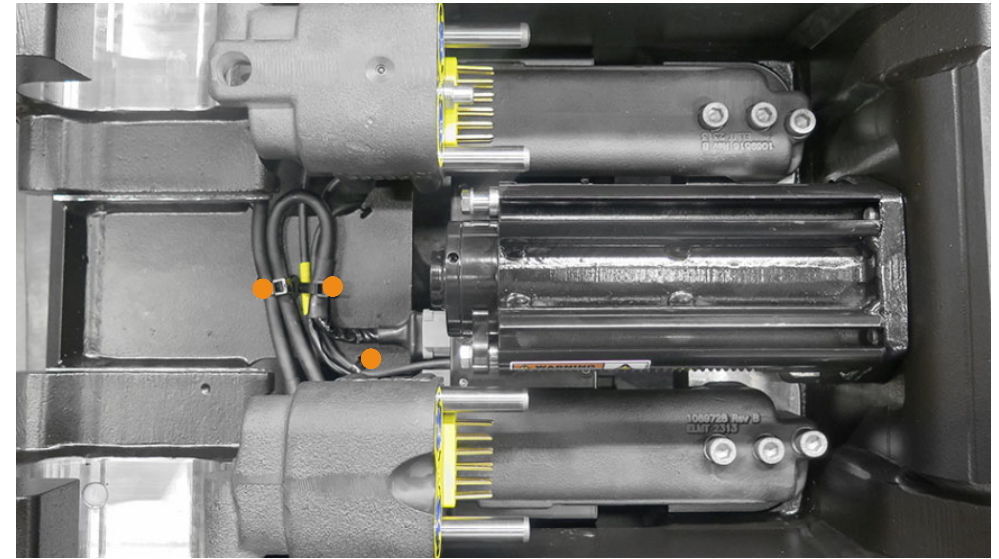
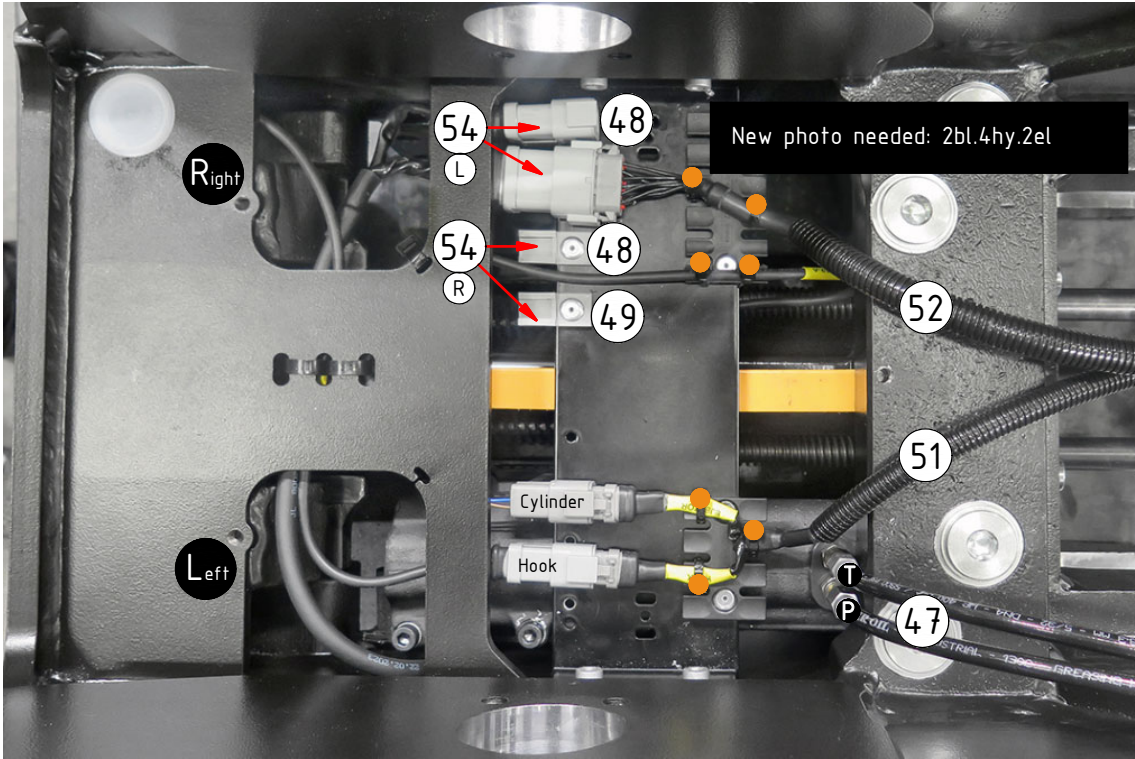
POS in order of assembly



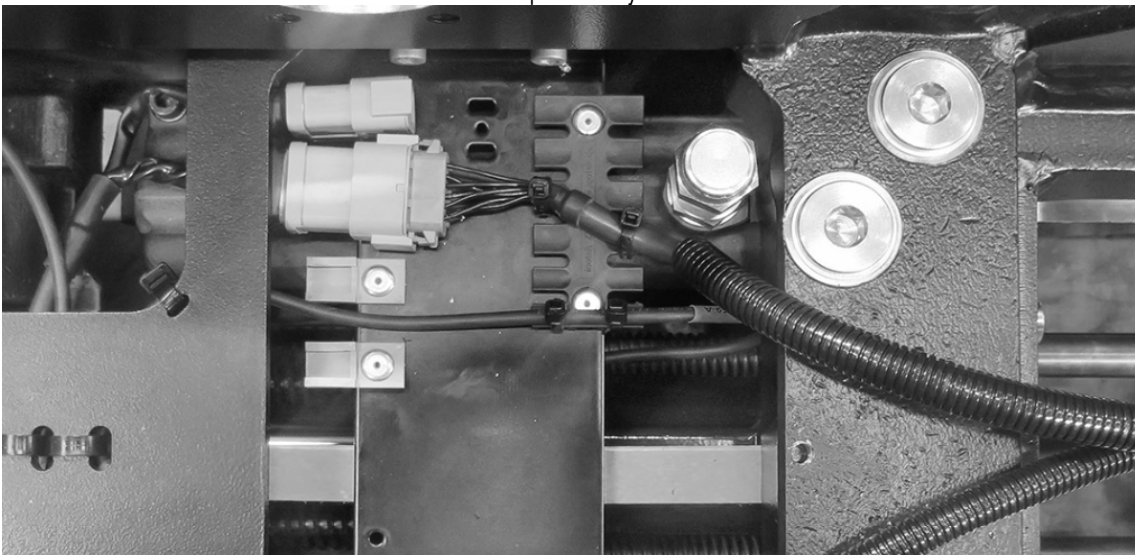
DC2 Option 2bl.

POS	DESCRIPTION	PART	QTY	COMMENTS
47	Hose 2m - lubricant ECO	790176	2	
48	Plug for 6P	8000620	1	QTY depends on config.
49	Plug for 12P	8002058	1	
51	Cable QS - QLM - Quick hitch	842149	1	Attach to QS sensors
52	Machine cable ECO60 W DC2	1048528	1	Attach to Left 12P
54	Power plug ECO W Hitch (12P, 6P)	8002050	1	Cable gland torque: 6Nm
●	Use cable ties			

POS in order of assembly



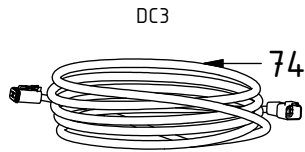
Option 5 hyd:



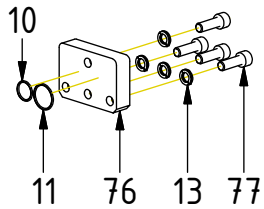
SPARE PARTS

POS	DESCRIPTION	PART	QTY	COMMENTS
10	O-ring 18,77x1,78	7001838	2	
11	O-ring 25,12x1,78	710979	2	
12	Side block S60 hose connection	1071473	2	(Plugs incl.)
13	Washer NL 10mm	611041	14	
50	Cable 3m ECO W DC3 (4S, 4P)	8002297	1	Attach to 4P
71	Washer NL 12mm	611042	8	
72	Screw MC6S M12x25 12.9 ZFSL	6000164	8	
74	Cable 2m ECO W DC3 (4S, 4P)	8001887	1	Replaced by POS.50 from 2024-04
76	Cover plate S60 (without sideblock)	1070776	2	Replaced by POS.12 from 2024-02
77	Screw MC6S M10x30 12.9 ZFSL	612018	8	Torque: 79Nm
78	Shoulder bolt 12x40/M10 12.9	6000391	5	Torque: 57Nm
79	Lifting hook forged bolted 5T	1072513	1	(POS.71-72, 78, 81 incl.)
80	Lifting ear bolted 5T	1074575	1	(POS.71-72, 78 incl.)
81	Safety latch	1075454	1	

POS in order of assembly



Std. assy. until 2024-02



Used until 2024

