

COVERSHEET

Planned document changes:

Briefly:


No planned changes.

Document changes:

| Date: | Change: |
|------------|---------------|
| 2023-04-28 | New document. |

| Rev. after change: |
|-----------------------|
| - |

Readers note:

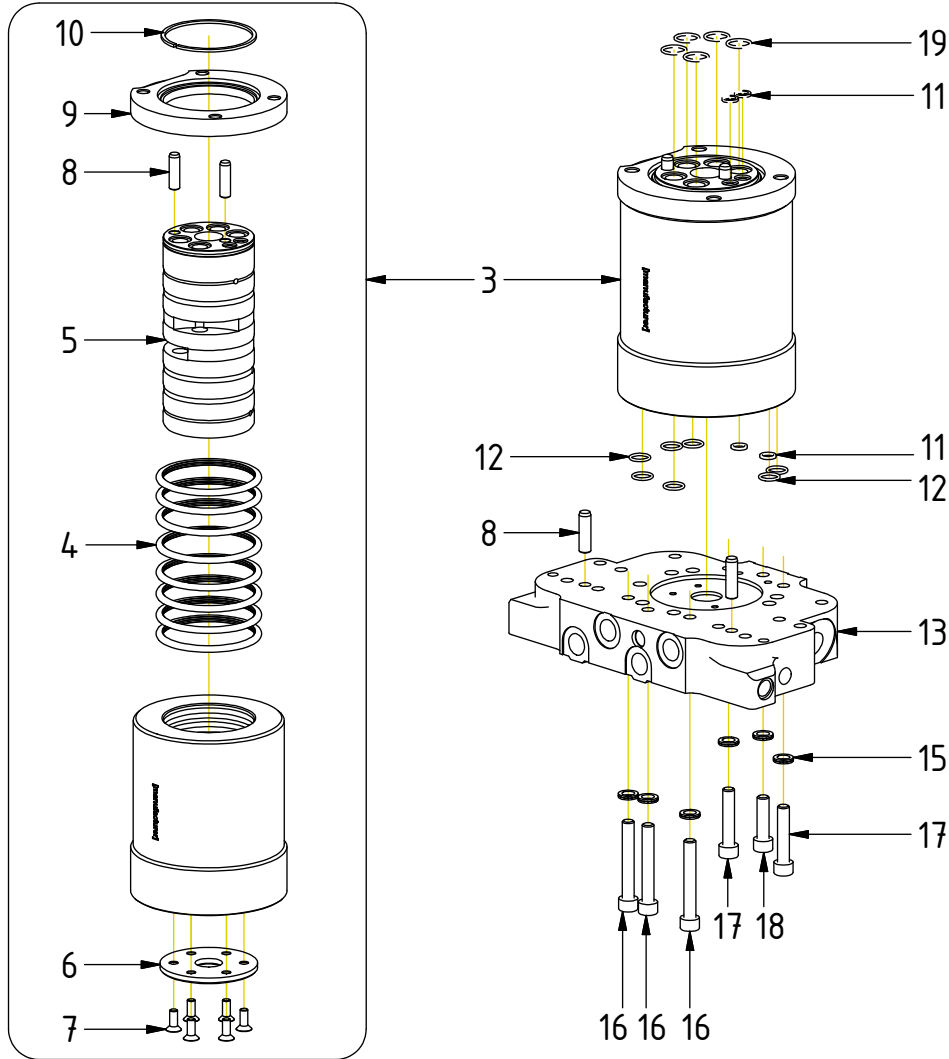
 Indicates instruction.

 Represents Hose.

Dashed lines for overview, mounts
on other pages/assemblies.

Connection block & Swivel QSM45/50

QSM45

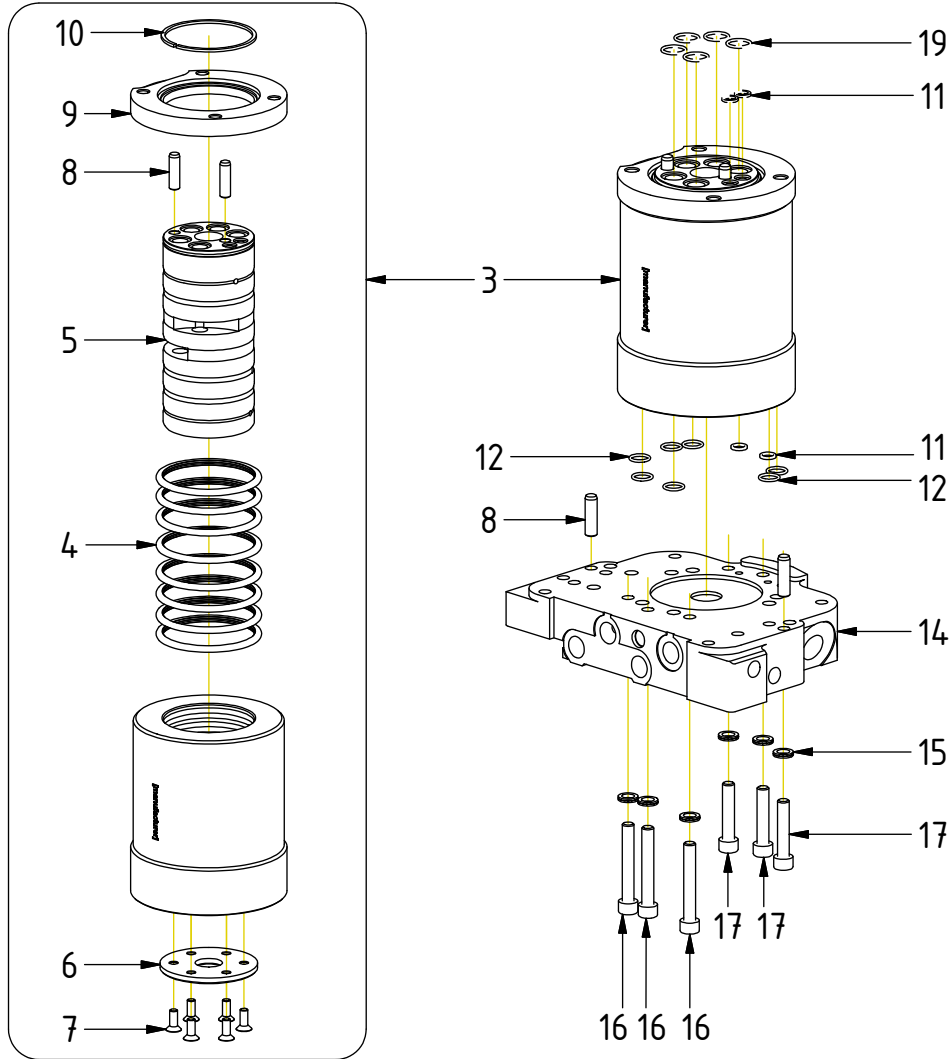


| POS | DESCRIPTION | PART | QTY | COMMENTS |
|-----|-----------------------------------|---------|-----|----------------------------------|
| 1 | Connectionbl. & Swivel 7-ch QSM45 | 1056225 | 1 | (POS.3, 8, 11-13, 15-18 incl.) |
| 3 | Swivel 7-ch QSM45/50 Compl. Steel | 1056218 | 1 | (POS.4-10 incl.) |
| 4 | Swivel sealing 70/81x4,2 | 7000536 | 8 | |
| 5 | Swivel piston QSM45/50 | 1052388 | 1 | |
| 6 | Wear washer QSM45/50 | 1052665 | 2 | |
| 7 | Screw MF6S 6x16 | 610604 | 6 | Torque: 14Nm |
| 8 | Dowel pin CPK 8x30 m6 | 6000175 | 4 | |
| 9 | Fastening ring swivel QSM45/50 | 1052396 | 1 | |
| 10 | Snap ring 7759: RSW 70 | 1052664 | 1 | |
| 11 | O-ring square 7,66x1,68 | 7000579 | 4 | QTY: 2 part of quick hitch assy. |
| 12 | O-ring 10,82 x 1,78 | 7001171 | 7 | |
| 13 | Connection block QSM45 | 1052650 | 1 | |
| 15 | Washer NL 8mm | 611040 | 6 | |
| 16 | Screw MC6S M8x55 12.9 | 610588 | 3 | |
| 17 | Screw MC6S 8x40 12.9 ZFSHL | 6000145 | 2 | QTY: 3 for QSM50 |
| 18 | Screw MC6S M8x30 12.9 | 610435 | 1 | Torque: 40Nm |
| 19 | O-ring 14x1,78 | 710975 | 5 | Part of quick hitch assy. |

POS in order of assembly

Connection block & Swivel QSM45/50

QSM50



| POS | DESCRIPTION | PART | QTY | COMMENTS |
|-----|-----------------------------------|---------|-----|----------------------------------|
| 2 | Connectionbl. & Swivel 7-ch QSM50 | 1069539 | 1 | (POS.3, 8, 11-12, 14-17 incl.) |
| 3 | Swivel 7-ch QSM45/50 Compl. Steel | 1056218 | 1 | (POS.4-10 incl.) |
| 4 | Swivel sealing 70/81x4,2 | 7000536 | 8 | |
| 5 | Swivel piston QSM45/50 | 1052388 | 1 | |
| 6 | Wear washer QSM45/50 | 1052665 | 2 | |
| 7 | Screw MF6S 6x16 | 610604 | 6 | Torque: 14Nm |
| 8 | Dowel pin CPK 8x30 m6 | 6000175 | 4 | |
| 9 | Fastening ring swivel QSM45/50 | 1052396 | 1 | |
| 10 | Snap ring 7759: RSW 70 | 1052664 | 1 | |
| 11 | O-ring square 7,66x1,68 | 7000579 | 4 | QTY: 2 part of quick hitch assy. |
| 12 | O-ring 10,82 x 1,78 | 7001171 | 7 | |
| 14 | Connection block QSM50 | 1067649 | 1 | |
| 15 | Washer NL 8mm | 611040 | 6 | |
| 16 | Screw MC6S M8x55 12.9 | 610588 | 3 | |
| 17 | Screw MC6S 8x40 12.9 ZFSHL | 6000145 | 2 | QTY: 3 for QSM50 |
| 19 | O-ring 14x1,78 | 710975 | 5 | Part of quick hitch assy. |

POS in order of assembly