

GRD60B  
COVERSHEET

## Planned document changes:



**Briefly:**

---

No planned changes.

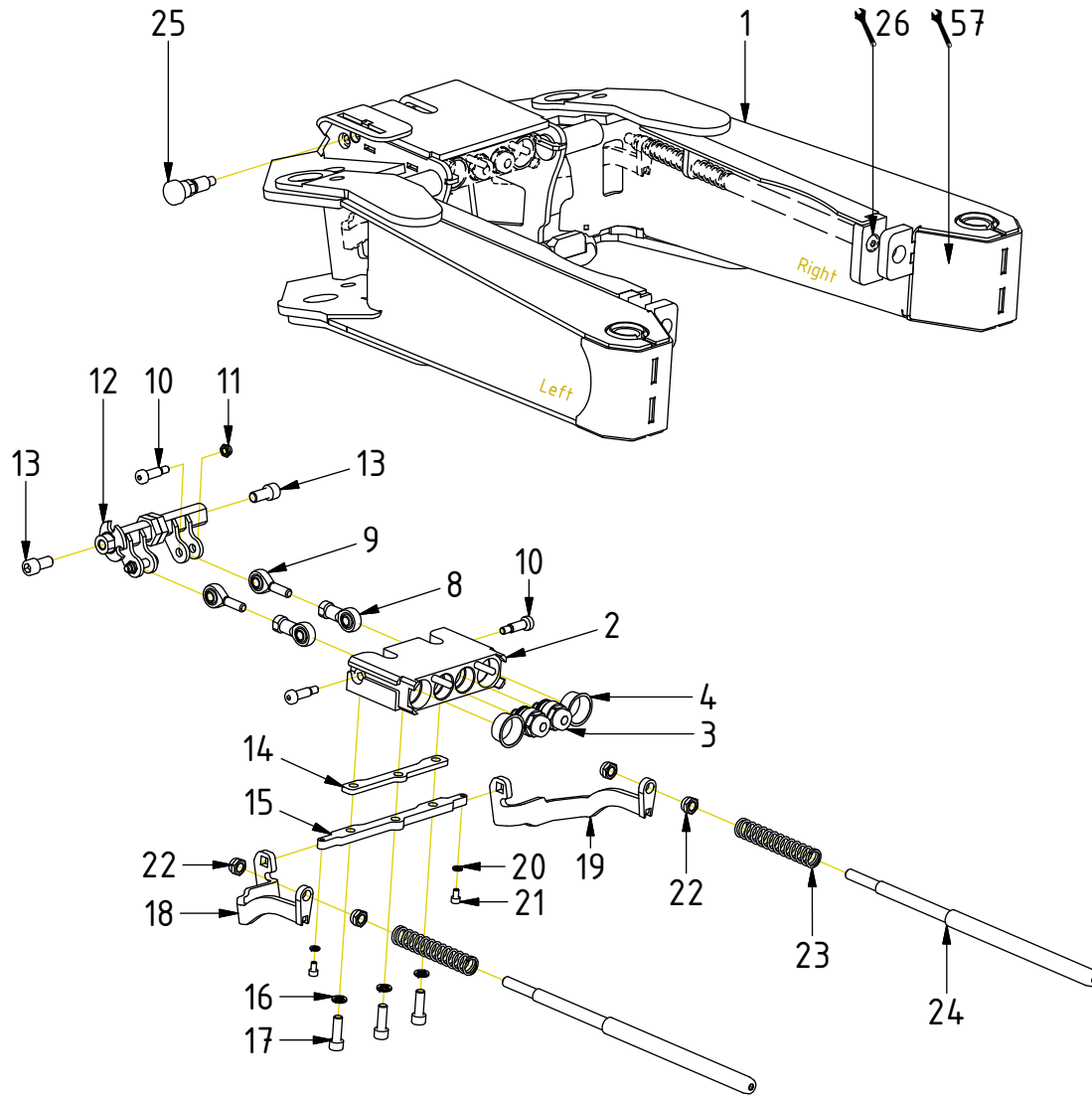
## Document changes:

<b>Date:</b>	<b>Change:</b>	<b>Rev. after change:</b>
2023-04-17	Washers for axles updated.	A
2023-02-28	New document.	-

*Readers note:* Indicates instruction. Represents Hose.

Dashed lines for overview, mounts  
on other pages/assemblies.

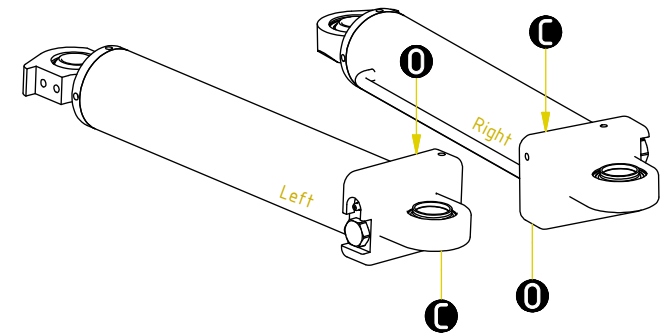
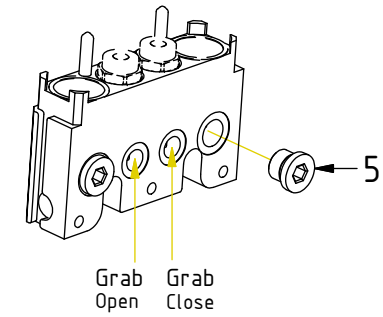
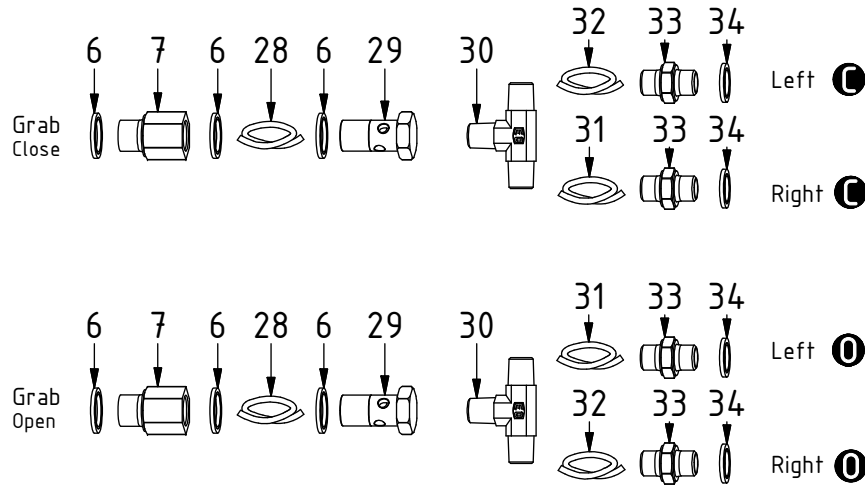
POS in order of assembly

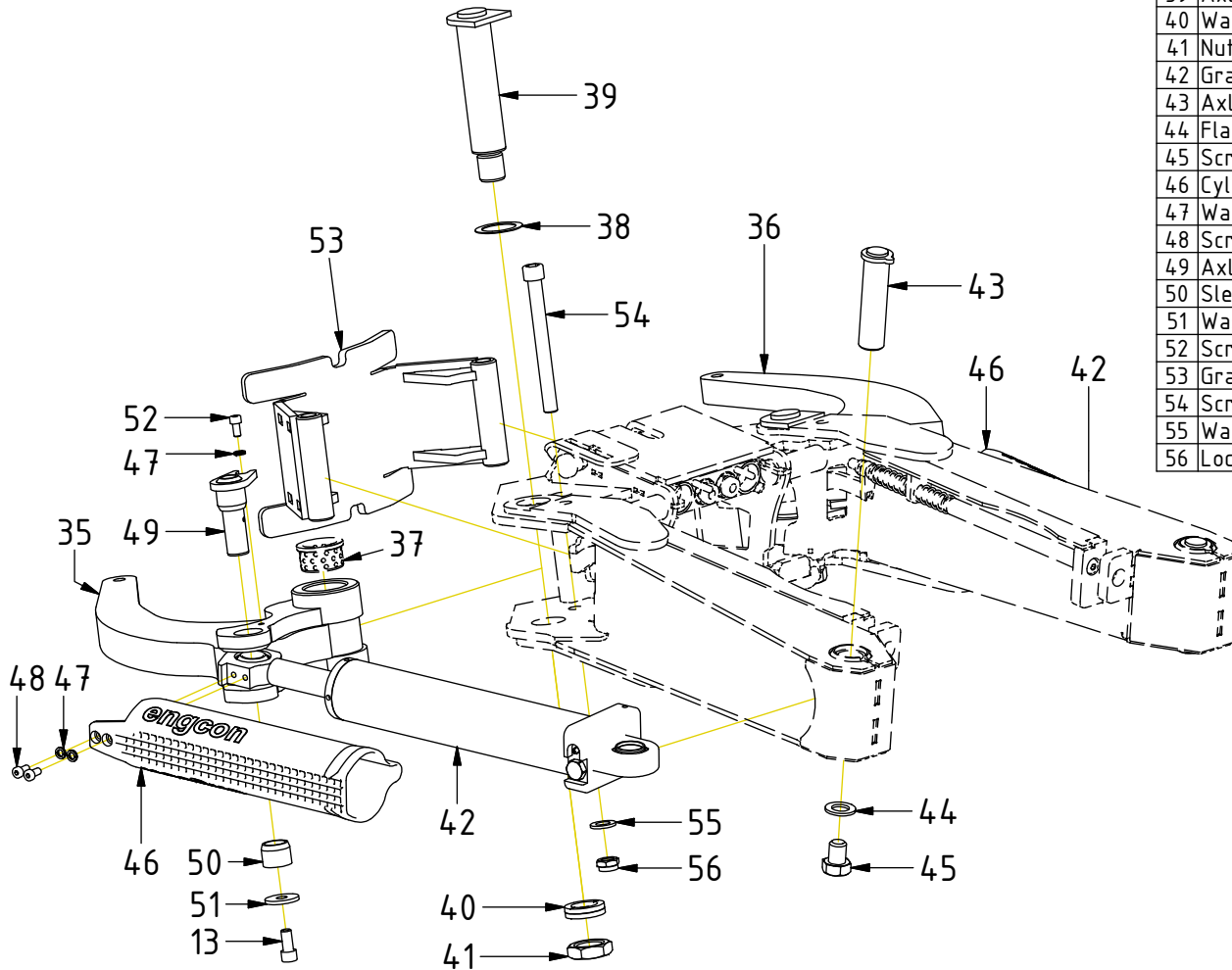


POS	DESCRIPTION	PART	QTY	COMMENTS
1	Grab frame GRD60B	1068911	1	
2	Q-Block GRD20 V2	1055206	1	
3	ECO 45/50 3/8" male	1028873	2	Torque: 60Nm
4	Protection plug TECO60	7000154	2	
8	Linkhead female	1033284	2	
9	Linkhead male	1033283	2	Unscrew 4,5 turns from bottomed
10	Shoulder bolt 10x25 / M8	611703	4	Loxeal 83-52 against POS.2
11	Lock Nut M6M M8x1,25 8,8 FZB	610922	2	
12	Eccenter GRD60/SWD60	1037048	1	
13	Screw MC6S M12x25 12.9 ZFSL	6000164	4	Loxeal 83-52
14	Shim center carrier GRD60	1034333	1	
15	Center carrier GRD60	1034084	1	
16	Washer NL 10mm	611041	3	
17	Screw MC6S M10x30 12.9 Geomet	612018	3	
18	Carrier Left (V3)	1055560	1	
19	Carrier Right (V3)	1055562	1	
20	Washer NL 6mm	611039	2	
21	Screw MC6S M6x10 12.9 Geomet	611512	2	
22	Lock Nut M6M M12x1,75 8,8 FZB	610924	4	
23	Compression spring (6192)	1038209	2	
24	Lock pin GRD60	1034056	2	
25	Indexing plunger M16x1,5	6000061	1	
26	With Q-block retracted, lockpin must align with surface			
57	Punch serial no into frame			

POS	DESCRIPTION	PART	QTY	COMMENTS
5	Plug 70125-08 (1/2")	711500	2	
6	Washer GBR06 3/8	710703	6	
7	Adapter 236-06-06	710131	2	
27	Hose kit GRD60B - Grab hoses	7000890	1	(POS.28, 31, 32 incl.)
28	Hose Grab Feed GRD-Q	7001059	1	
29	Banjo bolt 4451-06 (3/8")	710272	2	
30	Adapter 851-04-04 (1/4")	7000883	2	
31	Hose Grab Short	7000889	1	
32	Hose Grab Long	7000888	1	
33	Adapter 138-04-29 (1/4")	710135	4	
34	Washer GBR04 1/4	710702	4	

POS in order of assembly





POS	DESCRIPTION	PART	QTY	COMMENTS
13	Screw MC6S M12x25 12.9 ZFSHL	6000164	4	Loxreal 83-52
35	Grab arm GRD20 (single)	1031144	1	(POS.37 incl.)
36	Grab arm GRD20 (double)	1031147	1	(POS.37 incl.)
37	Bushing 40/50/55/5-30	631001	4	
38	Shim GDR60 56x40,5x1	1042067	4	Also used between grab arm and grab frame if required
39	Axle grab arm	1044793	2	Torque: 649Nm
40	Washer NL 30mm	6000122	2	
41	Nut M30	6000059	2	Torque: 649Nm
42	Grab cylinder Right/Left	1048549	2	
43	Axle cylinder	1068863	2	
44	Flat Washer	611010	2	
45	Screw M6S 20x25	6000054	2	Loxreal 83-52
46	Cylinder cover	1051368	2	
47	Washer NL 8mm	611040	6	
48	Screw MLC6S M8x16 10.9 FZB	6000220	4	
49	Axle grab arm/cylinder	1034640	2	
50	Sleeve axle	1034641	2	
51	Washer BRB 13x40x4	6000056	2	
52	Screw MC6S M8x16 12.9 ZFSHL	610432	2	
53	Grab support GRD60	1034063	1	
54	Screw MC6S M16x160 12.9 ZFSHL	6000166	2	
55	Washer BRB 17x30x3	611009	2	
56	Lock Nut M6M M16x2 8,8 FZB	610926	2	

POS	DESCRIPTION	PART	QTY	COMMENTS
27	Hose kit GRD60B - Grab hoses	7000890	1	(POS.28, 31, 32 incl.)
28	Hose Grab Feed GRD-Q	7001059	1	
31	Hose Grab Short	7000889	1	
32	Hose Grab Long	7000888	1	

