

COVERSHEET

Planned document changes:


Briefly:

No planned changes.

Document changes:

Date:	Change:	Rev. after change:
2024-03-12	DC3 added.	B
2023-05-02	QS50 added.	A
2022-09-05	New document.	-

Readers note:

 Indicates instruction.

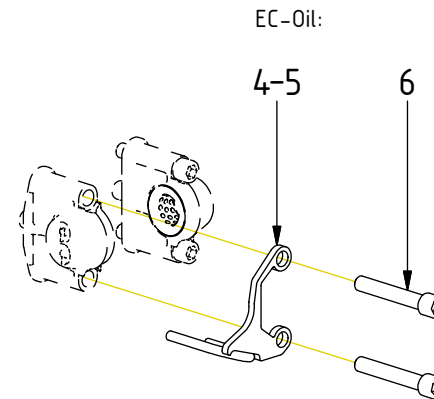
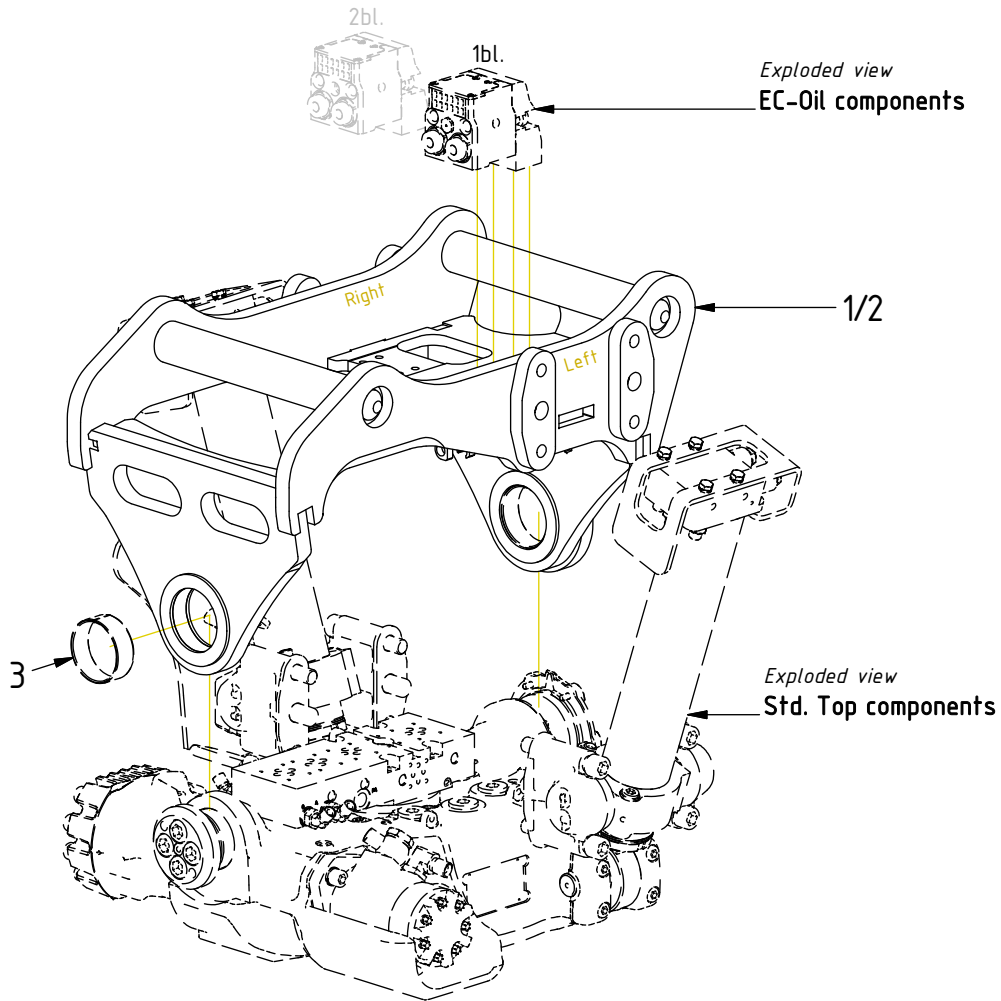
 Represents Hose.

Dashed lines for overview, mounts
on other pages/assemblies.

EC209B - Top part QS45/50

POS	DESCRIPTION	PART	QTY	COMMENTS
1	Top part QS45 EC209B	1064575	1	(POS.3 incl.)
2	Top part QS50 EC209B	1068175	1	(POS.3 incl.)
3	Bushing $\varnothing 65/70 \times 25$	630322	1	
4	Hose guide (EC-Oil) Left	1046827	1	
5	Hose guide (EC-Oil) Right	1046828	1	
6	Screw MC6S M16x100 12.9 ZFSHL	6000156	4	

POS in order of assembly

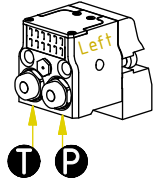


- T** ← 8
- P** ← 8
- cap** ← 8-9
- R** ← 8
- drn** ← 12-14

FEED
EC045 W

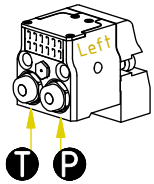
DC3

2 hyd.

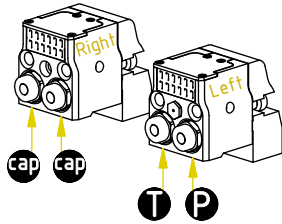


DC2, ss10 (SVAB)

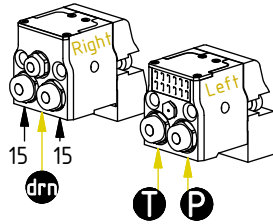
2 hyd.



4 hyd.

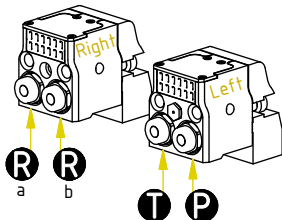


DC2 5 hyd.

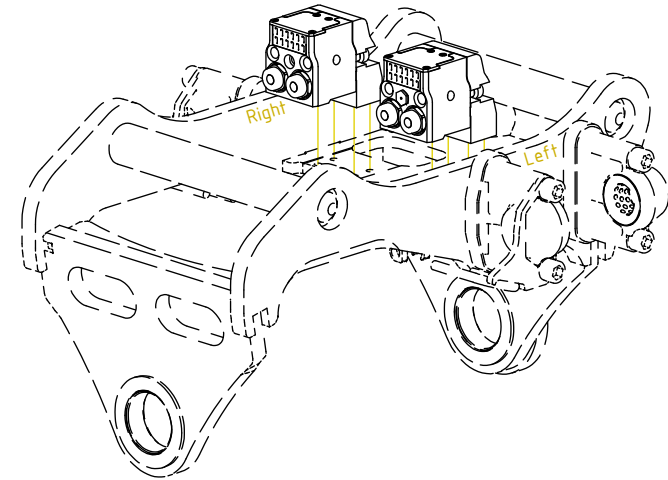


ss9

4 hyd.



POS	DESCRIPTION	PART	QTY	COMMENTS
7	For Feed Hoses			See "Control system"
8	Adapter 401-06-06 90° (3/8")	710152	*	
9	Protective cap 155-06 (3/8")	711626	2	
12	Washer GBR04 1/4	710702	2	
13	Adapter 831-04-04 (1/4")	710149	1	
14	Banjo bolt 4451-04 (1/4")	710271	1	
15	Plug 70125-06 (3/8")	711504	2	



POS in order of assembly

- T** ← 8
- P** ← 8
- cap** ← 9-11
- R_a** ← 10-11
- R_b** ← 8

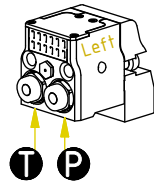
FEED
EC050 W

POS	DESCRIPTION	PART	QTY	COMMENTS
7	For Feed Hoses			See "Control system"
8	Adapter 401-06-06 90° (3/8")	710152	*	
9	Protective cap 155-06 (3/8")	711626	2	
10	Adapter 136-06-06 (3/8")	710106	*	
11	Washer GBR06 3/8	710703	*	

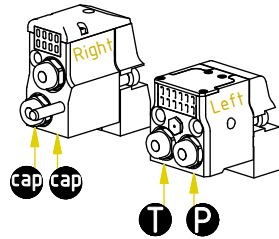
POS in order of assembly

ss10 (DC2/SVAB)

2 hyd.

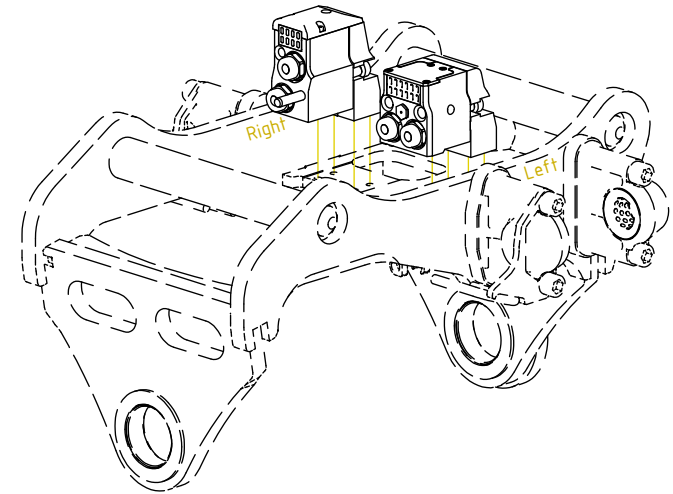
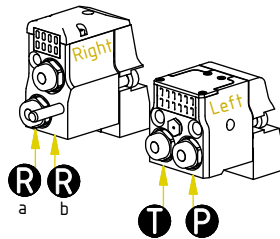


4 hyd.

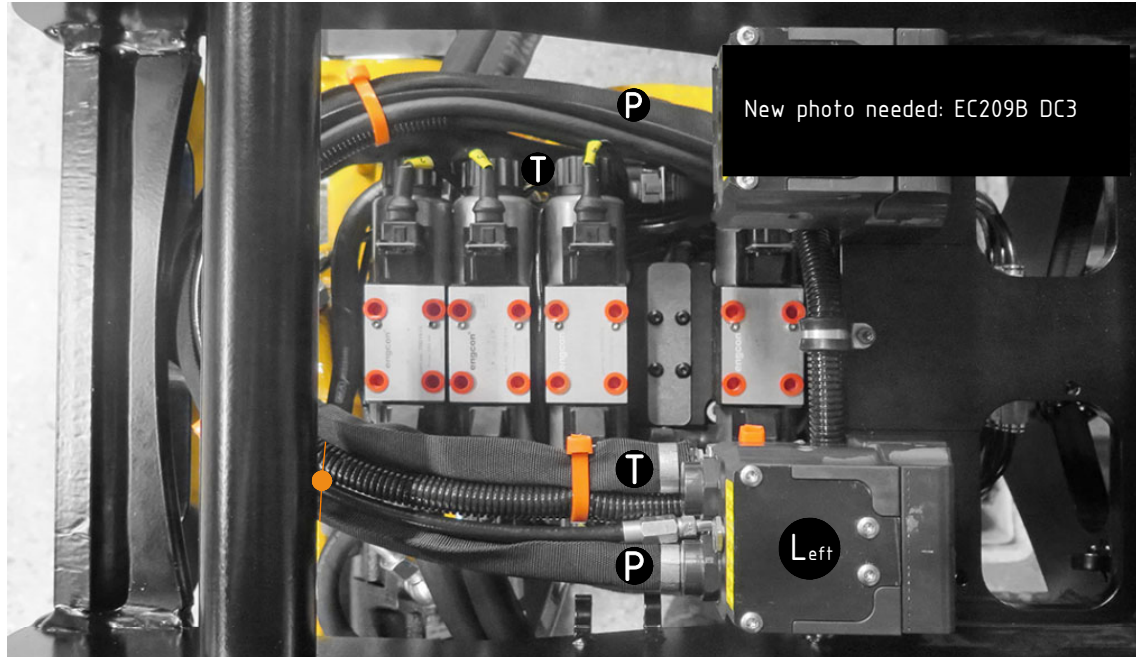


ss9

4 hyd.

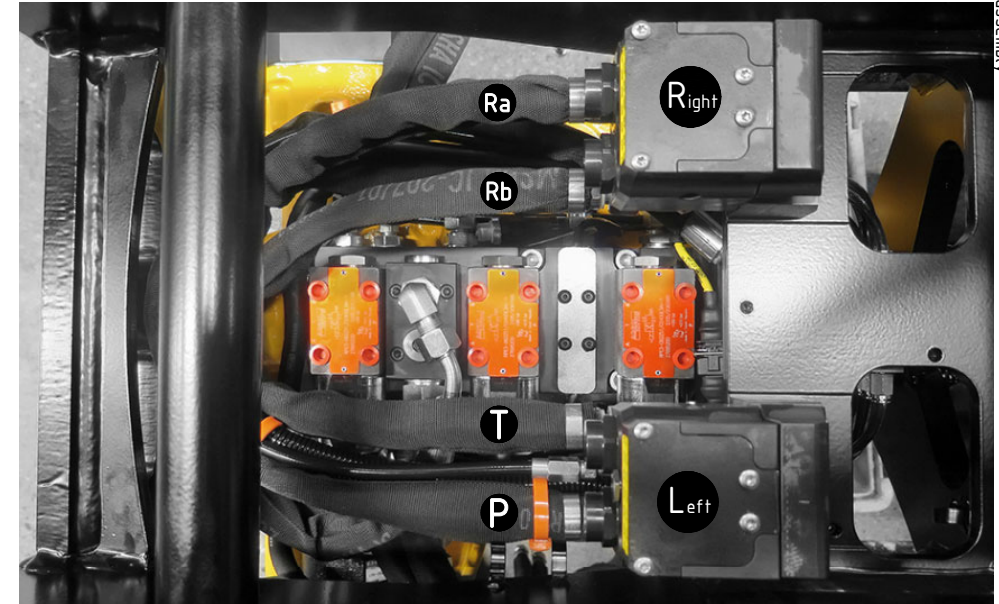


FEED
DC3 EC-Oil:

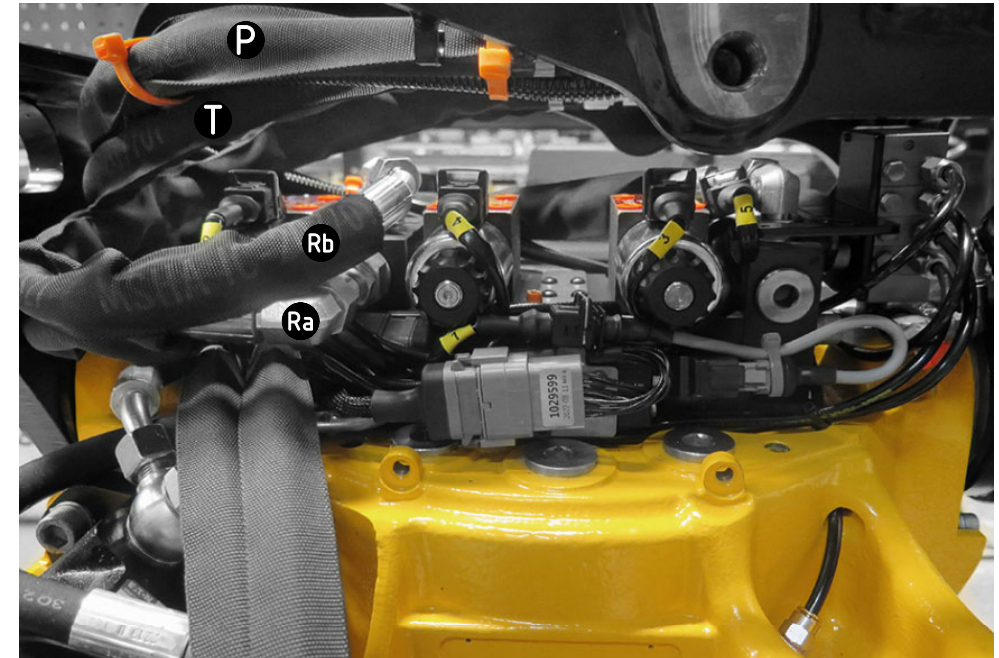
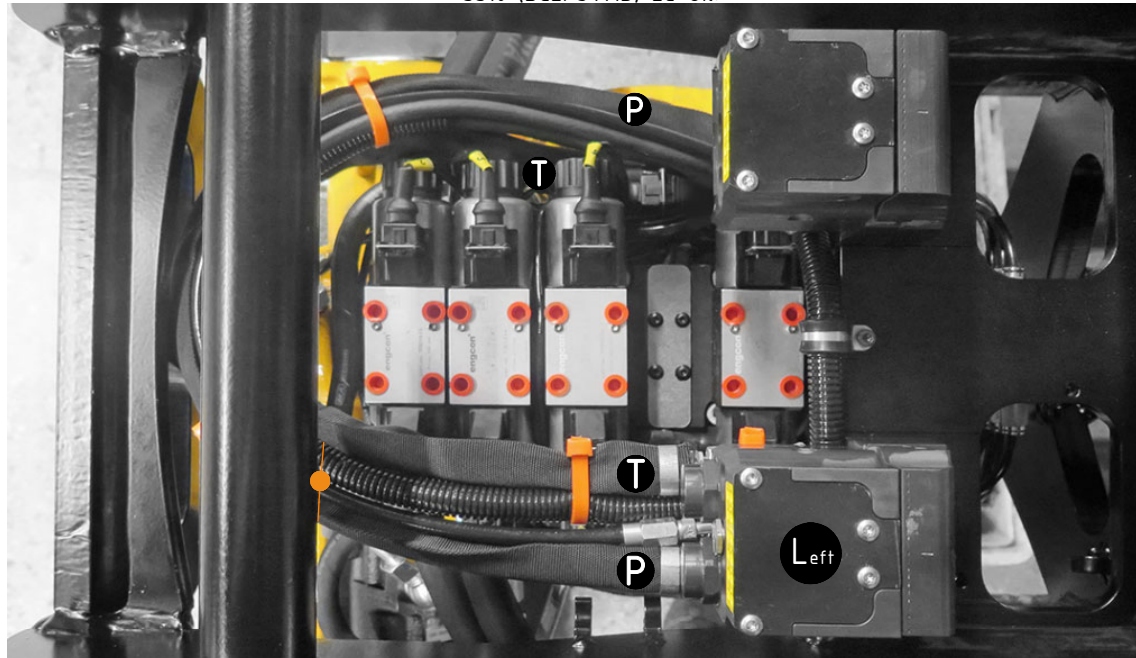


POS	DESCRIPTION	PART	QTY	COMMENTS
7	For Feed Hoses			See "Control system"
●	Use cable ties			

ss9 EC-Oil:



ss10 (DC2/SVAB) EC-Oil:



POS in order of assembly