

COVERSHEET

Planned document changes:

Briefly:

No planned changes.

Document changes:

Date:

Change:

Rev.

after change:

2023-03-17

New document.

-

Readers note:



Indicates instruction.

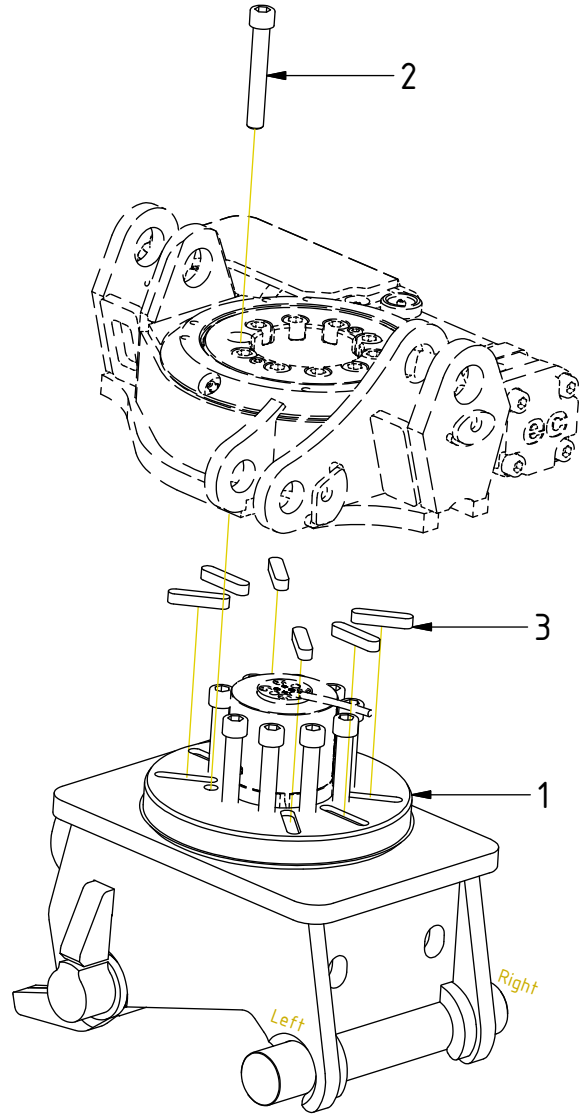


Represents Hose.

Dashed lines for overview, mounts
on other pages/assemblies.

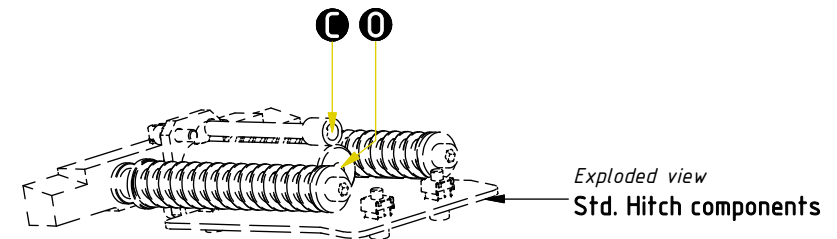
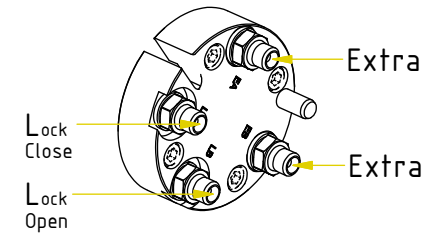
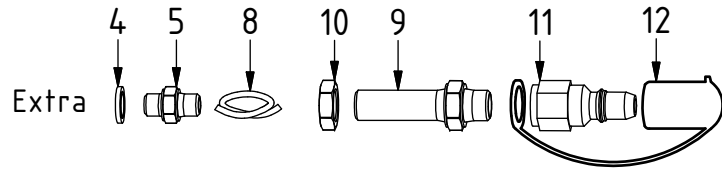
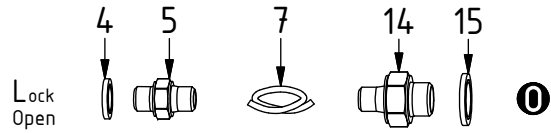
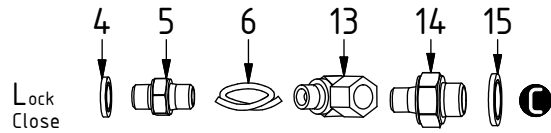
POS	DESCRIPTION	PART	QTY	COMMENTS
1	Quick hitch CW05GP 0° EC02B	1069714	1	
2	Screw MC6S M12x80 12.9 ZFSL	6000148	10	Torque: 136Nm
3	Feather Key	650101	6	

POS in order of assembly



POS in order of assembly

POS	DESCRIPTION	PART	QTY	COMMENTS
4	Washer GBR02 1/8	710701	4	
5	Adapter 136-02-02 (1/8")	710102	4	
6	Hose Lock A	7001750	1	
7	Hose Lock B	7001751	1	
8	Hose Extra	7001857	2	
9	Adapter 1260-04-40 (1/4")	710261	2	
10	Counternut 1270-04 (1/4")	710250	2	
11	Quick Coupler 1/4" Male 2520	790111	2	
12	Dust protection 1/4" male	790119	2	
13	Adapter 090-02-02 90° (1/8")	710219	1	
14	Adapter 135-02-04 (1/8"-1/4")	710103	2	
15	Washer GBR04 1/4	710702	2	



POS	DESCRIPTION	PART	QTY	COMMENTS
6	Hose Lock A	7001750	1	
7	Hose Lock B	7001751	1	
8	Hose Extra	7001857	2	

