

COVERSHEET

Planned document changes:

Briefly:

No planned changes.

Document changes:

Date:	Change:	Rev. after change:
2023-04-05	Adapters and washers updated.	A
2022-11-09	New document.	-

Readers note:

Indicates instruction.



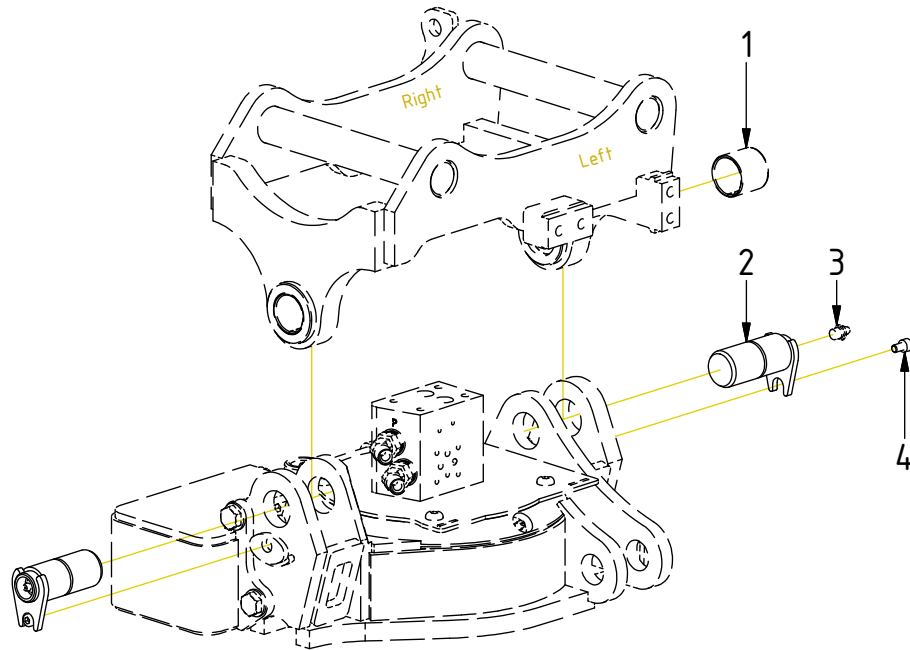
Represents Hose.

Dashed lines for overview, mounts
on other pages/assemblies.

EC02B - Std. Top components

POS	DESCRIPTION	PART	QTY	COMMENTS
1	Bushing 30/34x30	630003	2	(Incl. in Top part)
2	Tilt axle EC02B	405186	2	(POS.3 incl.)
3	Grease Nipple	711403	3	
4	Screw MC6S M6x10 12.9 Geomet	611512	3	

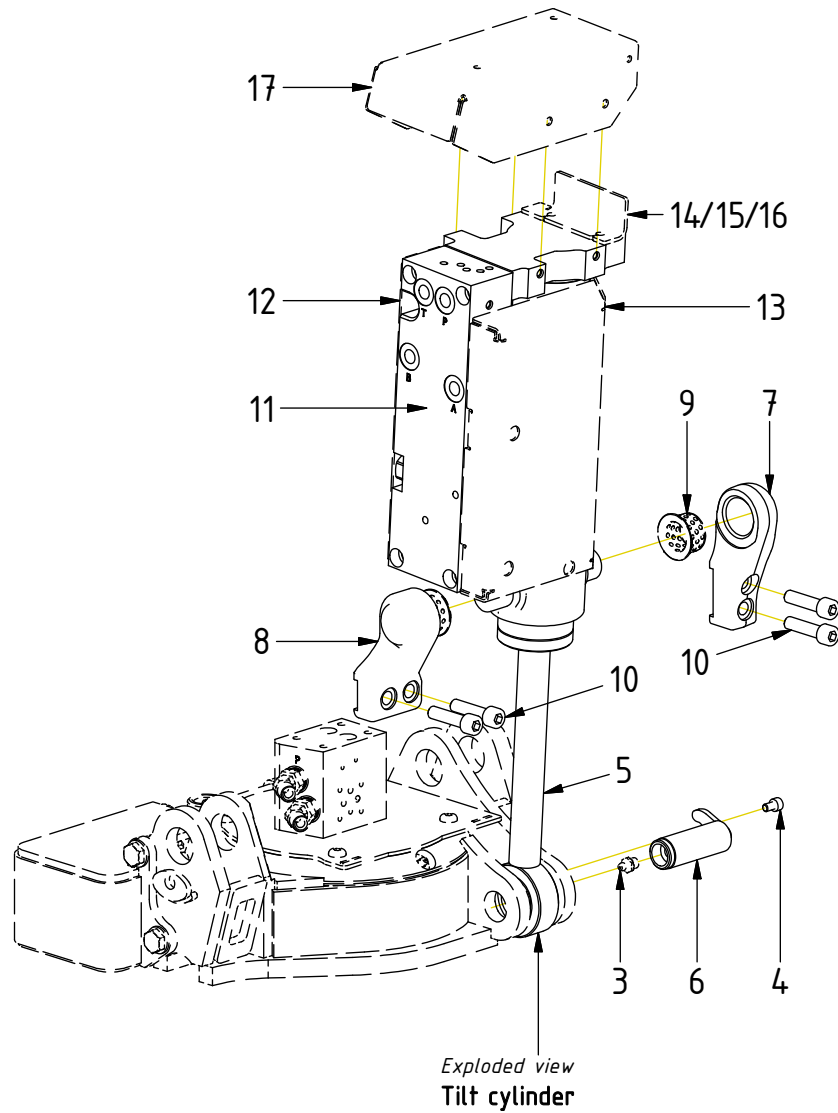
POS in order of assembly

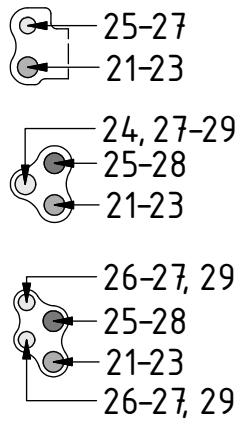


EC02B - Std. Top components

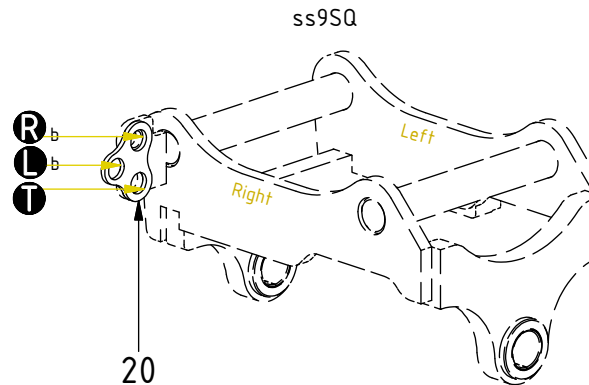
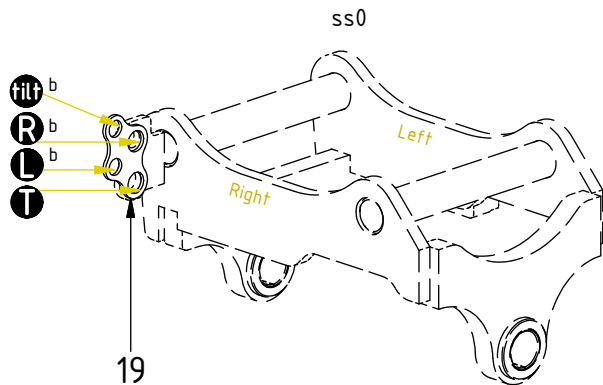
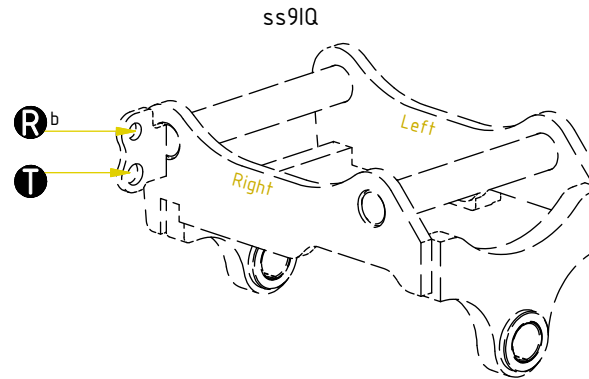
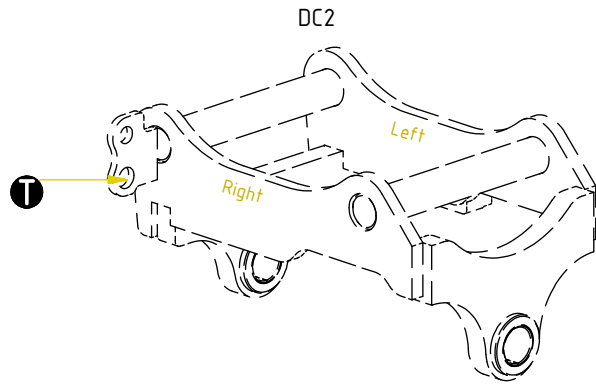
POS in order of assembly

POS	DESCRIPTION	PART	QTY	COMMENTS
3	Grease Nipple	711403	3	
4	Screw MC6S M6x10 12.9 Geomet	611512	3	
5	Tilt cylinder EC02B	1053601	1	
6	Cylinder axle	405187	1	
7	Yoke EC02 rear Complete	1036701	1	(POS.9 incl.)
8	Yoke EC02 front Complete	1041966	1	(POS.9 incl.)
9	Bushing 25/31/38/1.5x20	6000001	2	
10	Screw MC6S M10x40 12.9 ZFSHL	612020	4	
11	Valve block tilt cylinder Complete	7000635	1	Part of control system
12	Cover tilt cylinder Right	1029781	1	Part of control system
13	Cover tilt cylinder Left	1068975	1	Part of control system
14	Coverplate DC2	1029826	1	Part of control system
15	Coverplate ss9	1033484	1	Part of control system
16	Coverplate ss0	1043991	1	Part of control system
17	Cover tilt cylinder Top	1029902	1	Part of control system





POS	DESCRIPTION	PART	QTY	COMMENTS
18	For Functions & Feed Hoses			See "Control system"
19	Hose terminal 2x3/8, 2x1/4	1026096	1	For ss0
20	Hose terminal 2x3/8, 1x1/4	1011565	1	For ss9SQ
21	Washer NL 16mm	611044	1	
22	Adapter 1260-06-32 (3/8")	710242	1	
23	Counternut 1270-06 (3/8")	710252	1	
24	Washer NL 1/2"sp 13,5x25,4x3,4	1072202	1	
25	Adapter 1260-04-40 (1/4")	710261	1	
26	Washer NL 1/2"	611096	1	
27	Counternut 1270-04 (1/4")	710250	*	
28	O-ring 12,37x2,62	710961	*	
29	Adapter 1260-04-04 (1/4")	710240	*	



POS in order of assembly

FEED

POS	DESCRIPTION	PART	QTY	COMMENTS
18	For Functions & Feed Hoses			See "Control system"
●	Use cable ties			

POS in order of assembly

