

COVERSHEET



Planned document changes:

Briefly:

POS.20 glue instructions:
Loxeal 83-52 for black steering,
Loxeal 53-11 for stainless steering.

Document changes:

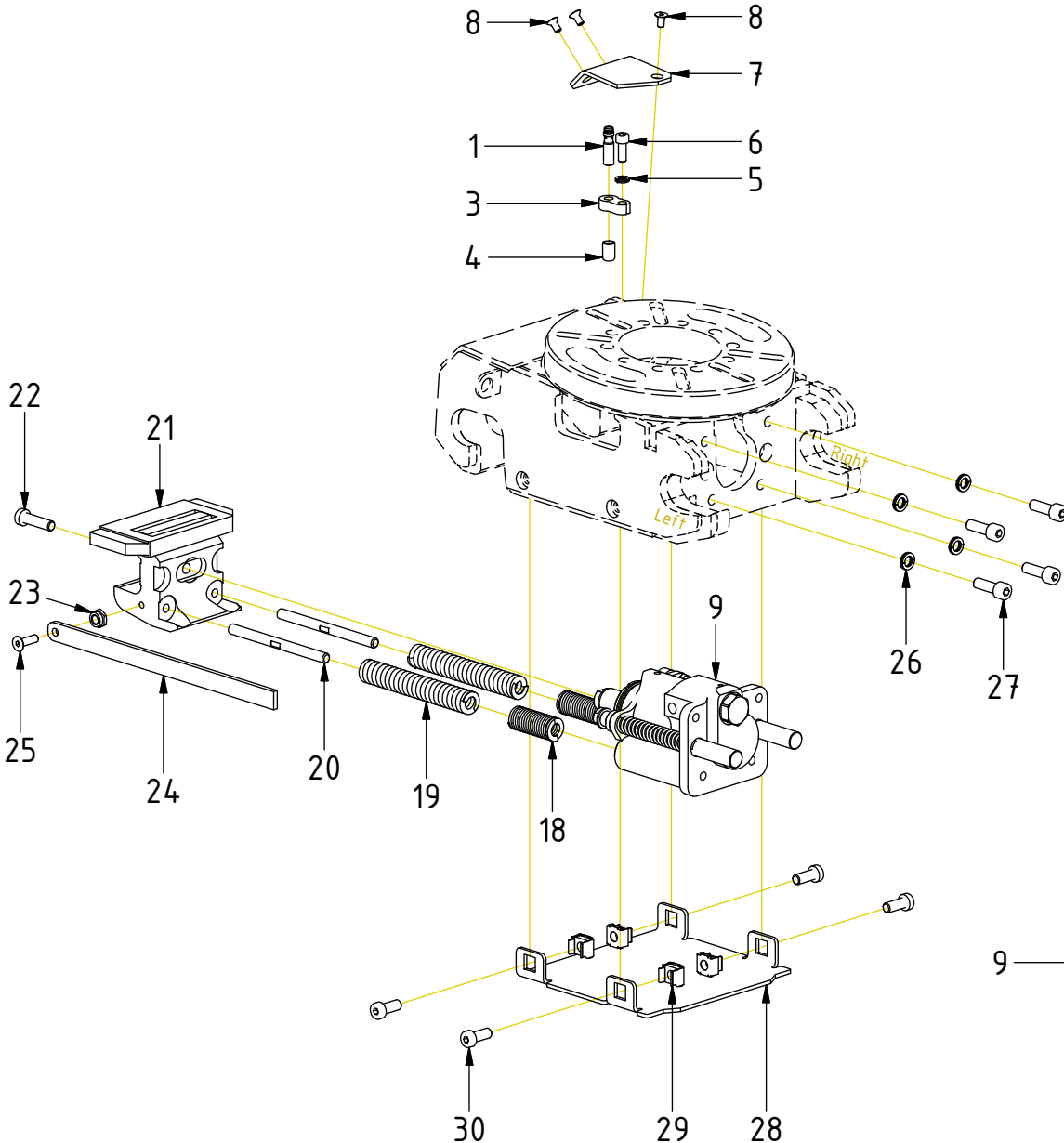
Date:	Change:	Rev. after change:
2023-04-25	Screw for lock cylinder updated.	A
2022-11-09	New document.	-

Readers note: Indicates instruction. Represents Hose.

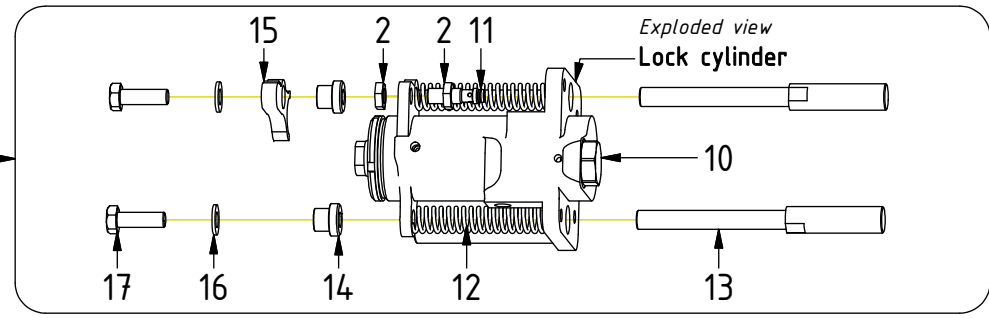
Dashed lines for overview, mounts
on other pages/assemblies.

Std. Hitch components - S30S

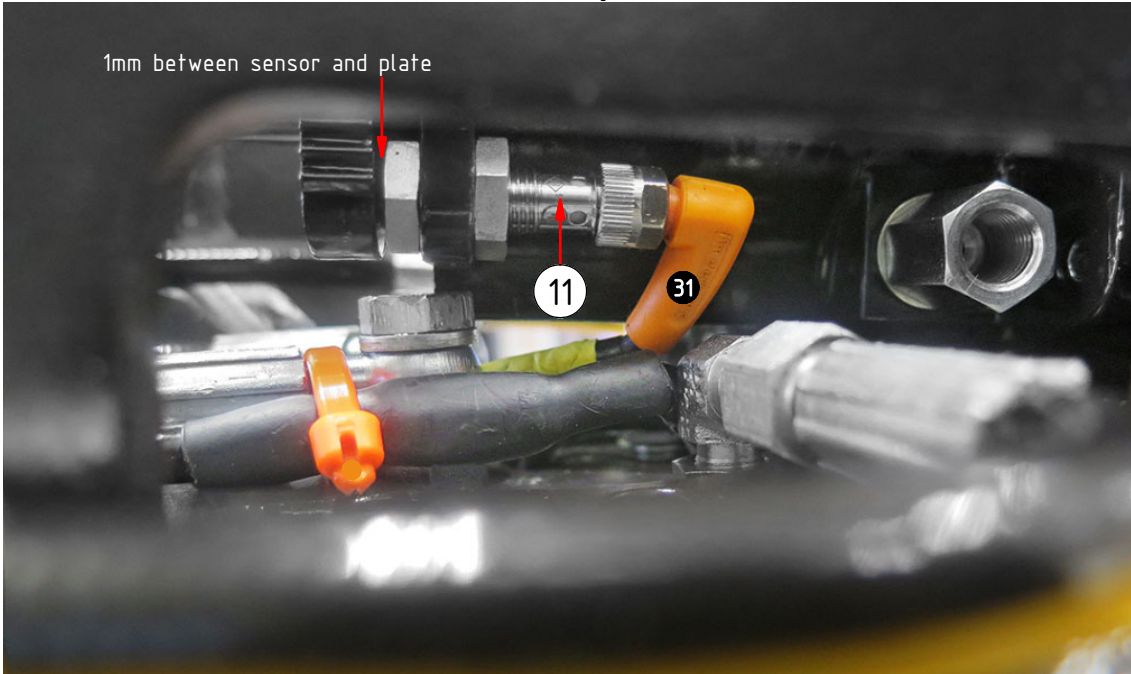
POS in order of assembly



EC02B	POS	DESCRIPTION	PART	QTY	COMMENTS
	1	Inductive sensor M8 IES217 (Hook)	8001584	1	Connect to slip ring
	2	Hex nut			(Incl. with sensor)
	3	Holder sensor	1067110	1	
	4	Protection lid, inductive sensor	8001849	1	
	5	Washer NL 6mm	611039	1	
	6	Screw MC6S M6x16 12.9 ZFSHL	6000017	1	
	7	Small cover plate S30S	1063398	1	
	8	Screw MF6S M5x10H 10.9 FZB	610602	3	
	9	Lock cylinder S30S Complete	1063622	1	(POS.10-17 incl.)
	10	Lock cylinder S30S	1063621	1	
	11	Inductive sensor M8 IES215 (Cylinder)	8001583	1	Connect to slip ring
	12	Spring lock cyl. S30S	1063707	2	
	13	Ejector S30S	1062562	2	
	14	Spacer	1056860	2	
	15	Sensor plate	1062565	1	Assemble with slight play
	16	Washer BRB 8,4x16x1,6	611005	2	
	17	Screw M6S M8x25 8,8 FZB	610124	2	Loxéal 83-52
	18	Spring-B20-044-A-Tooling	6000376	2	
	19	Spring 20x115	640113	2	
	20	Steering	1063414	2	Loxéal 53-11
	21	Hook S30S	1063393	1	
	22	Screw MLC6S M8x30 10.9	6000378	1	Loxéal 83-52
	23	Lock Nut M6M M8x1,25 8,8 FZB	610922	1	
	24	Indicator pin S30S	1063498	1	
	25	Screw MF6S M6x20 10.9 FZB	6000113	1	
	26	Washer NL 8mm	611040	4	
	27	Screw MC6S M8x25 12.9 ZFSHL	6000143	4	
	28	Cover plate S30S	1063412	1	
	29	Cage Nut M8 C	610959	4	
	30	Screw MLC6S M8x20 8,8 FZB	610711	4	Loxéal 83-52



Sensor Cylinder



EC02B POS	DESCRIPTION	PART	QTY	COMMENTS
1	Inductive sensor M8 IES217 (Hook)	8001584	1	Connect to slip ring
11	Inductive sensor M8 IES215 (Cylinder)	8001583	1	Connect to slip ring
31	Cable from slip ring (Cylinder)			
32	Cable from slip ring (Hook)			
●	Use cable ties			

POS in order of assembly

Sensor Hook

