

COVERSHEET

Planned document changes:

**Briefly:**

2023-11-23. Replace POS.12 with Tredo.

Document changes:

**Date:**

**Change:**

**Rev.**

**after change:**

2022-11-09

New document.

-

*Readers note:*



Indicates instruction.

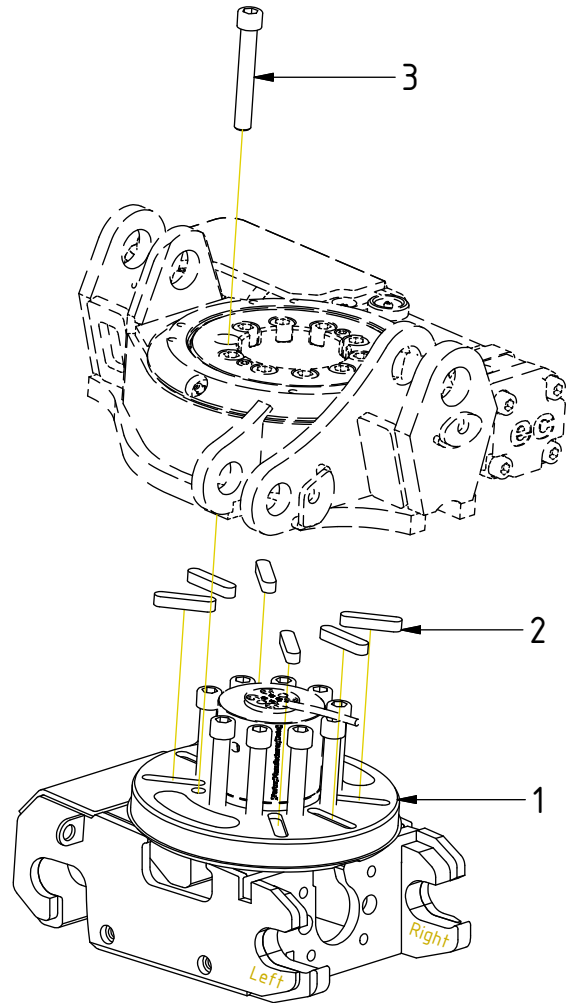


Represents Hose.

Dashed lines for overview, mounts  
on other pages/assemblies.

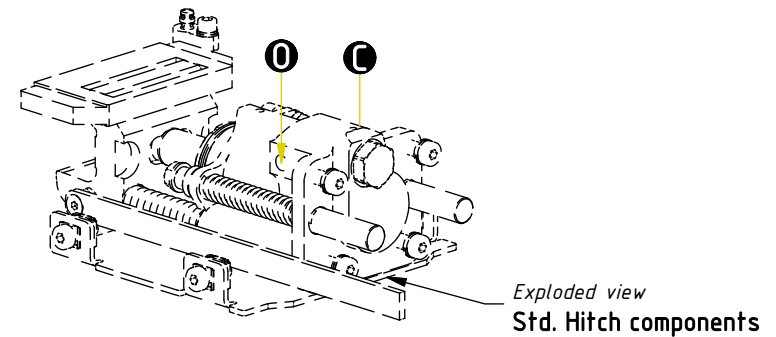
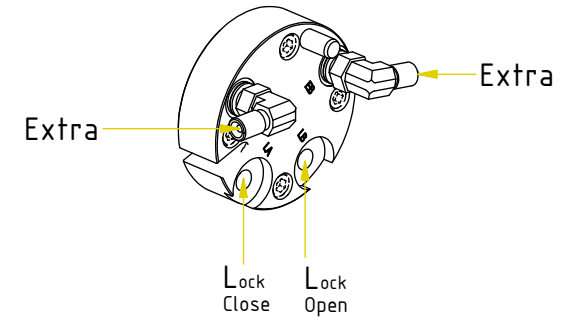
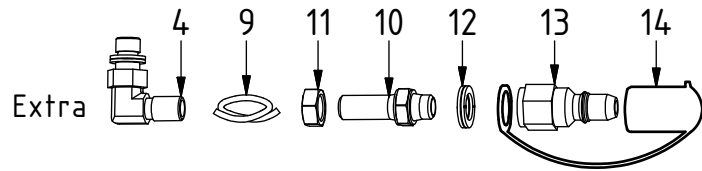
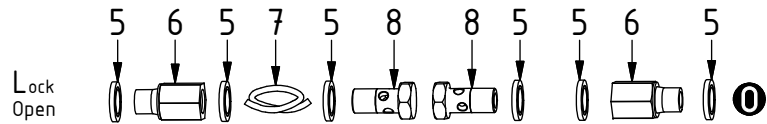
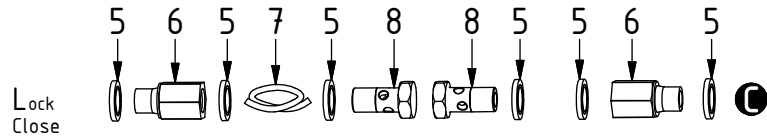
POS	DESCRIPTION	PART	QTY	COMMENTS
1	Quick hitch S30S/180 EC02B	1062970	1	
2	Feather Key	650101	6	
3	Screw MC6S M12x80 12.9 ZFSLH	6000148	10	Torque: 136Nm

POS in order of assembly



POS	DESCRIPTION	PART	QTY	COMMENTS
4	Adapter 401-02-02 90° (1/8")	710293	2	
5	Washer GBR02 1/8	710701	12	
6	Adapter 236-02-02	710129	4	
7	Hose Lock	7001697	2	
8	Banjo bolt 4451-02 (1/2")	710277	4	
9	Hose Extra	7001698	2	
10	Adapter 1260-02-02 (1/8")	710239	2	
11	Counternut 1270-02 (1/8")	710249	2	
12	Washer NL 10mm	611041	2	
13	Quick coupling 1/8" male 2320	790109	2	
14	Dust protection 1/8" male 125	790126	2	

POS in order of assembly



POS	DESCRIPTION	PART	QTY	COMMENTS
7	Hose Lock	7001697	2	
9	Hose Extra	7001698	2	

