

COVERSHEET

Planned document changes:

Briefly:

No planned changes.

Document changes:

Date:	Change:	Rev. after change:
2024-09-23	EC02BU added.	A
2022-11-09	New document.	-

Readers note:

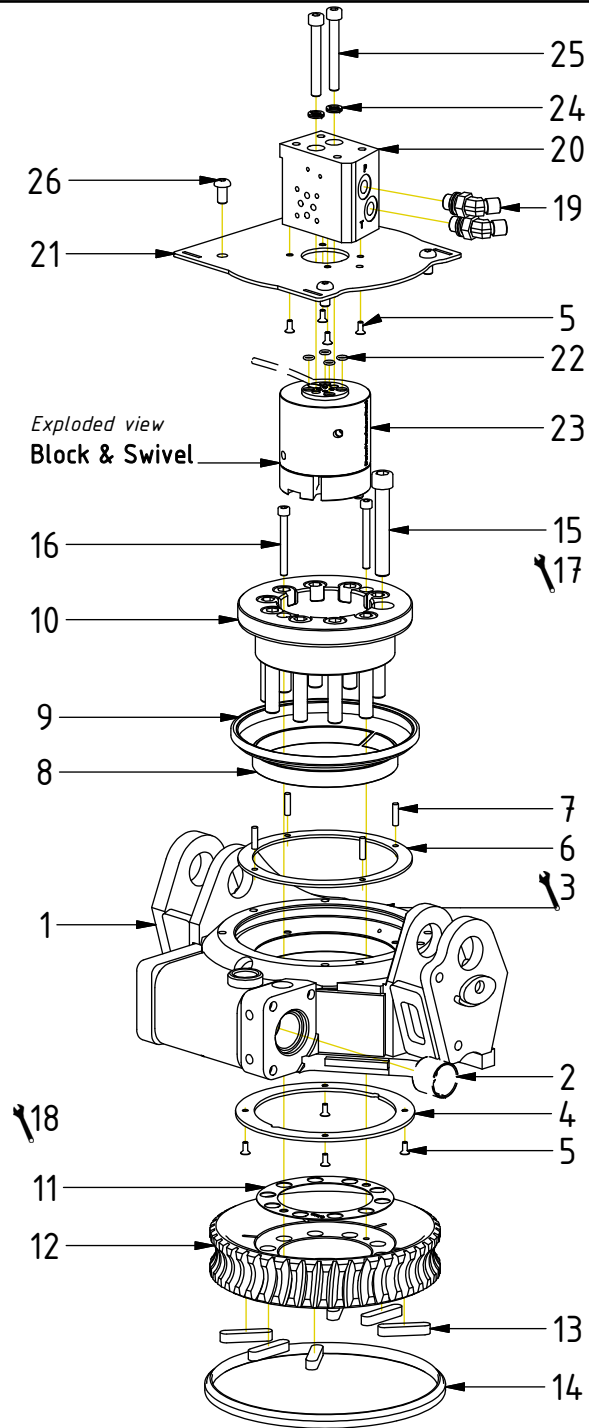
Indicates instruction.



Represents Hose.

Dashed lines for overview, mounts
on other pages/assemblies.

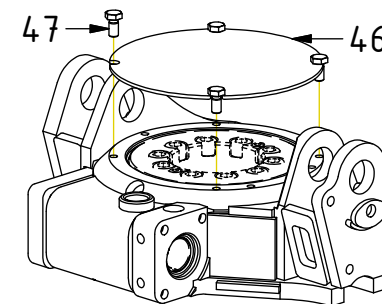
EC02B - Rotator frame



POS	DESCRIPTION	PART	QTY	COMMENTS
1	Rotator frame EC02B	102484	1	(POS.2 incl.)
2	Bushing WB700 28/31x25	630004	1	
3	Punch serial no into rotator frame			
4	Wear washer	303292	1	
5	Screw MF6S M4x10 10.9 untreatead	610605	8	
6	Wear ring	303334	1	
7	Slotted pin S5x20	640407	4	Must not exceed Wear ring surface
8	Guide belt	710953	1	
9	Wiper seal (centre ring)	710951	1	
10	Center ring	303290	1	
11	Shims kit Centre ring 0,5-0,6-0,7-0,8-1,0-1,5mm	1010168	1	
12	Worm wheel	303291	1	
13	Feather Key	650101	6	
14	Wiper seal (quick hitch)	710952	1	
15	Screw MC6S M12x80 12.9 ZFSHL	6000148	10	Torque: 136Nm
16	Screw MC6S M6x55 12.9	610421	2	
17	Torque tighten rotator frame to hitch. Rotate to access all holes			
18	Break play: 0mm - 0,20mm			
19	Adapter 45° 4.02-04-04(1/4")	7000104	2	Assemble before valve block
20	Valve block EC02B	1065632	1	Part of control system
21	Valve plate EC02B	1064866	1	Part of control system
22	O-ring 6,07x1,78	712422	4	Part of control system
23	Swivel w. connection block Complete	1063530	1	Part of control system
24	Washer NL 8mm	611040	5	
25	Screw MC6S M8x65 12.9 ZFSHL	6000398	2	Torque: 40Nm
26	Screw K6S M8x16 10.9 FZB	611810	4	Loxal 55-02
46	Cover plate EC02BU	303444	1	Part of control system
47	Screw M6S M8x16 8,8 FZB	610122	4	Loxal 55-02

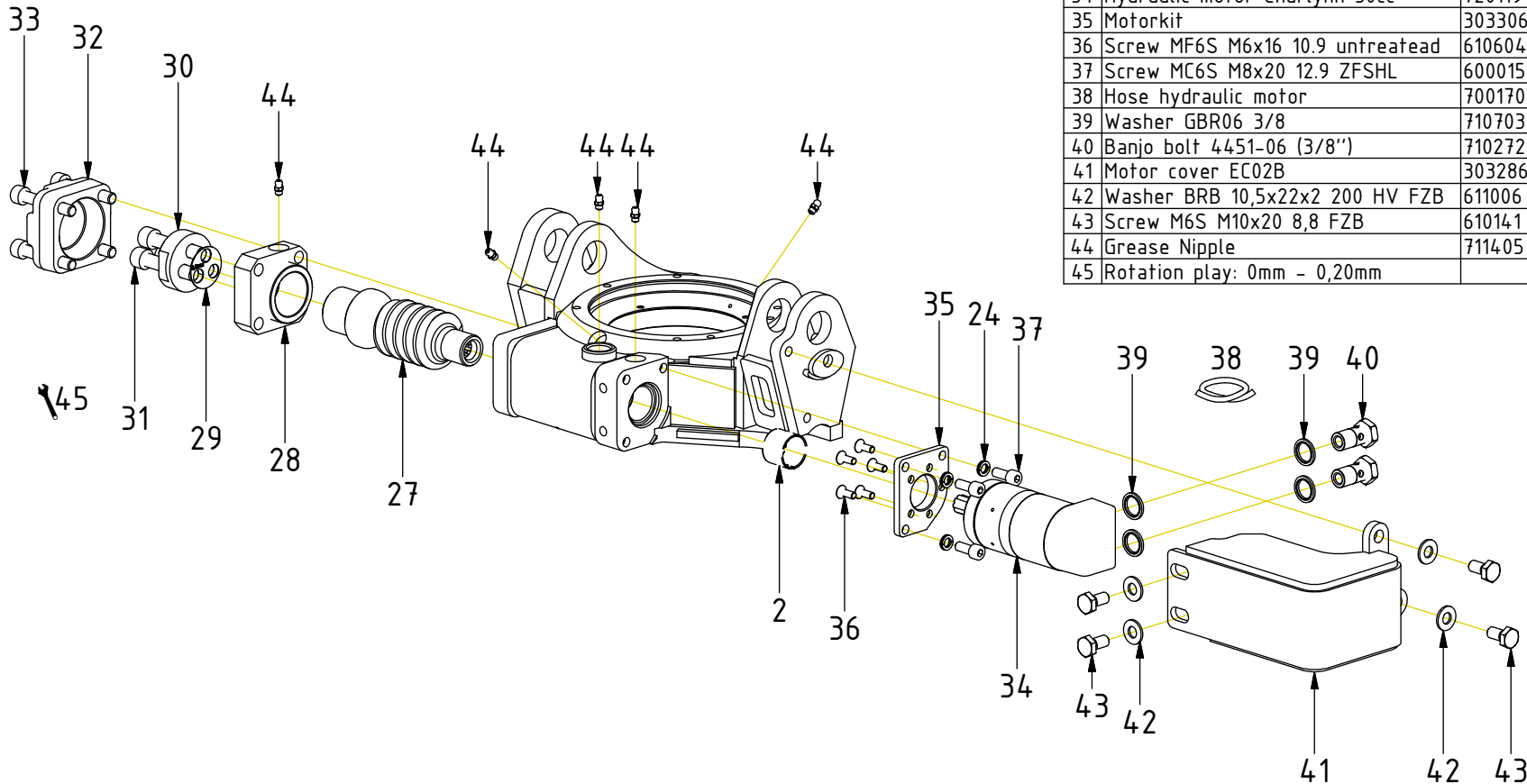
POS in order of assembly

EC02BU:



EC02B - Rotator frame

POS	DESCRIPTION	PART	QTY	COMMENTS
2	Bushing WB700 28/31x25	630004	1	
24	Washer NL 8mm	611040	5	
27	Worm screw	202898	1	
28	Screw bushing	405201	1	
29	Shims kit Worm screw 0,5-0,6-0,7-0,8-1,5mm	1030966	1	
30	Washer Worm screw	405234	1	
31	Screw MC6S M12x60 12.9 ZFSL	6000140	3	Torque: 136Nm
32	End Lock	303307	1	
33	Screw MC6S M10x60 12.9 Geomet	611503	4	Torque: 79Nm
34	Hydraulic motor Charlynn 50cc	720119	1	
35	Motor kit	303306	1	
36	Screw MF6S M6x16 10.9 untreatead	610604	5	Torque: 14Nm. Loxeal 55-02
37	Screw MC6S M8x20 12.9 ZFSL	6000157	3	Torque: 40Nm
38	Hose hydraulic motor	7001707	2	
39	Washer GBR06 3/8	710703	4	
40	Banjo bolt 4451-06 (3/8")	710272	2	
41	Motor cover EC02B	303286	1	
42	Washer BRB 10,5x22x2 200 HV FZB	611006	4	
43	Screw M6S M10x20 8,8 FZB	610141	4	
44	Grease Nipple	711405	5	
45	Rotation play: 0mm - 0,20mm			



POS in order of assembly

POS	DESCRIPTION	PART	QTY	COMMENTS
38	Hose hydraulic motor	7001707	2	

POS in order of assembly

