

COVERSHEET



Planned document changes:

Briefly:

No planned changes.

Document changes:

Date:	Change:	Rev. after change:
2024-03-12	Seal included in top part.	A
2022-09-01	New document.	-

Readers note: Indicates instruction. Represents Hose.

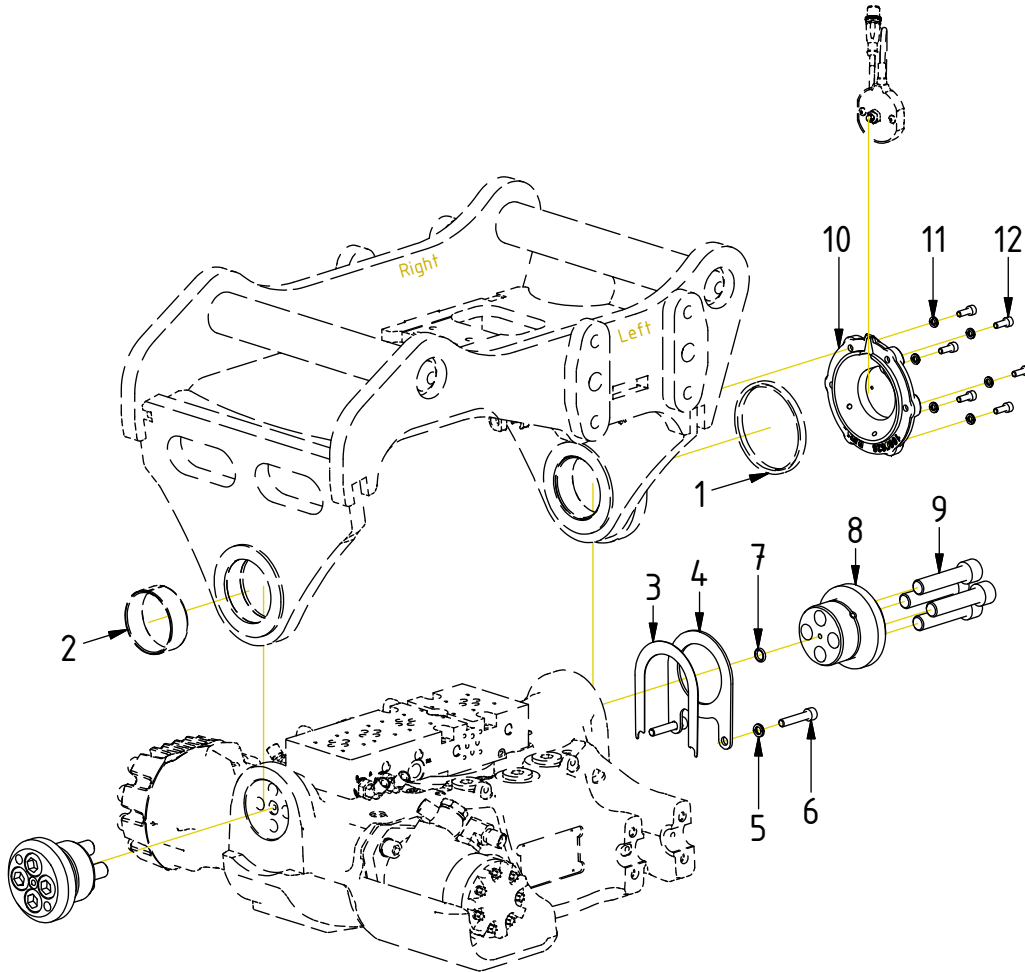
Dashed lines for overview, mounts
on other pages/assemblies.

EC209B - Std. Top components

POS	DESCRIPTION	PART	QTY	COMMENTS
1	Seal PAK 90x100x7-L	1063597	1	NB! Face groove toward top part (Incl. in Top part)
2	Bushing $\varnothing 65/70 \times 25$	630322	2	(Incl. in Top part)
3	Shims tilt axle	1016499	1	Use as required
4	Tilt axial washer	1016461	1	
5	Washer NL 8mm	611040	10	QTY: 8 part of Tilt cylinder
6	Screw MC6S M8x40 12.9 ZFSL	6000145	2	
7	O-ring 9,92x2,62	710968	4	
8	Tilt axle EC209S	1062499	2	
9	Screw MC6S M16x70 12.9 ZFSL	6000144	8	Torque: 333Nm
10	Cover tiltaxle EC209S Cast	1065626	1	
11	Washer NL 6mm	611039	11	
12	Screw MC6S M6x16 12.9 ZFSL	6000017	8	

EC209BS:

Exploded view
ePS2 Sensors

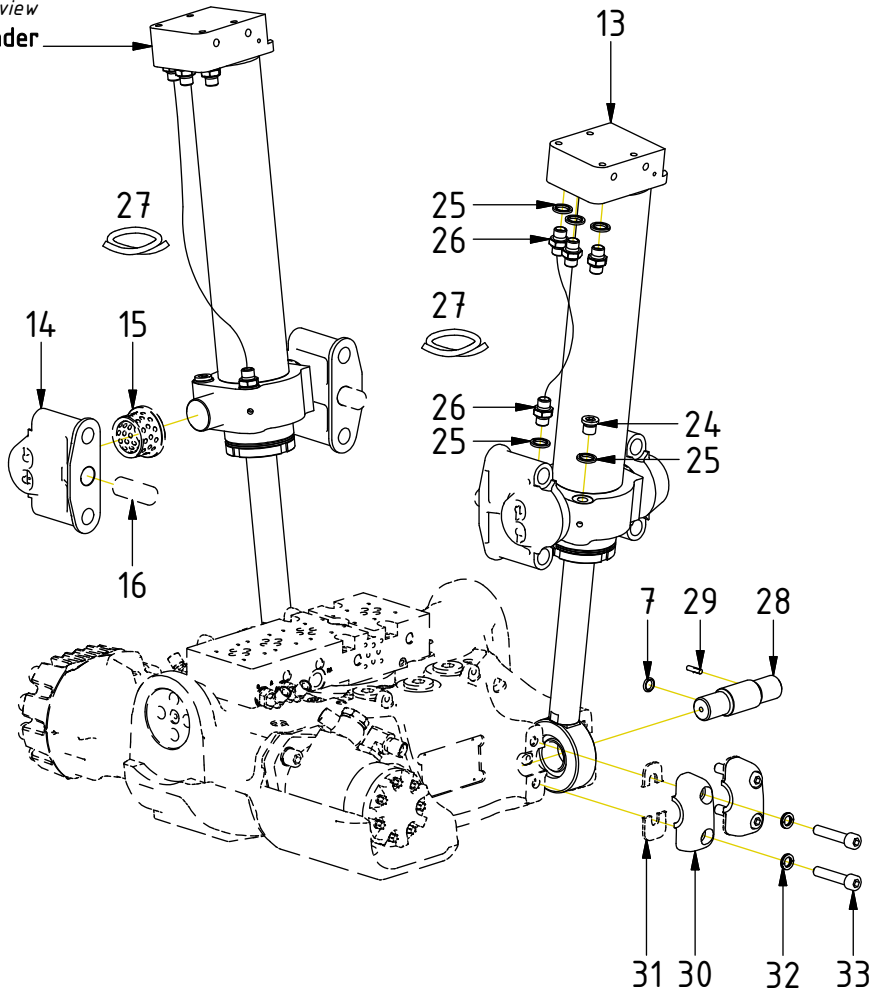


POS in order of assembly

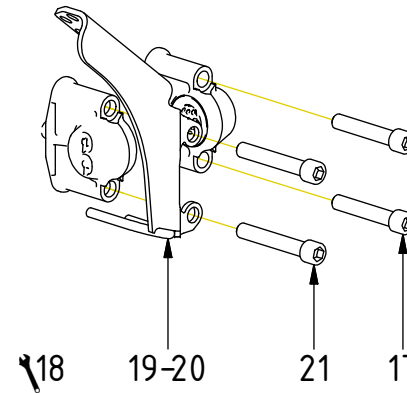
POS in order of assembly

POS	DESCRIPTION	PART	QTY	COMMENTS
7	O-ring 9,92x2,62	710968	4	
13	Tilt cylinder	1041412	2	
14	Yoke cast lube free Complete	1023212	4	(POS.15-16 incl.)
15	Bushing 35/45/55/5x30	631003	4	
16	Cylindrical pin $\varnothing 20 \times 50$	650211	4	
17	Screw MC6S M16x90 12.9 ZFSL	6000151	4	Torque: 333Nm
18	For EC-Oil (no terminals)			See "Top part" QS45
19	Hose terminal EC209 QSM Left	1056614	1	
20	Hose terminal EC209 QSM Right	1056615	1	
21	Screw MC6S M16x100 12.9 ZFSL	6000156	4	Torque: 333Nm
22	Spacer terminal 32mm	1028040	4	
23	Screw MC6S M16x130 12.9 ZFSL	6000154	4	
24	Plug 153-04 (1/4")	711505	2	
25	Washer GBR04 1/4	710702	10	
26	Adapter 138-04-29 (1/4")	710135	8	
27	Hose Tilt Short	742816	2	
28	Cylinder axle $\varnothing 30$	1016458	2	
29	Slotted pin 5x20	640413	2	
30	Clamping half Complete	1022942	4	(POS.31 incl.)
31	Rubber spacer clamping half	1016465	4	
32	Washer NL 10mm	611041	11	
33	MC6S M10x50 12.9 ZFSL	611515	8	Torque: 79Nm

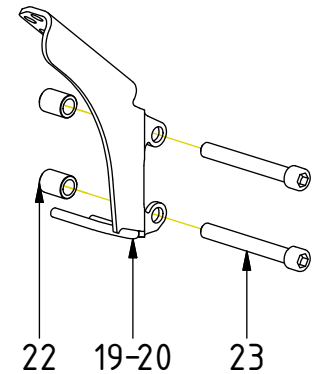
Exploded view
Tilt cylinder



Std terminals



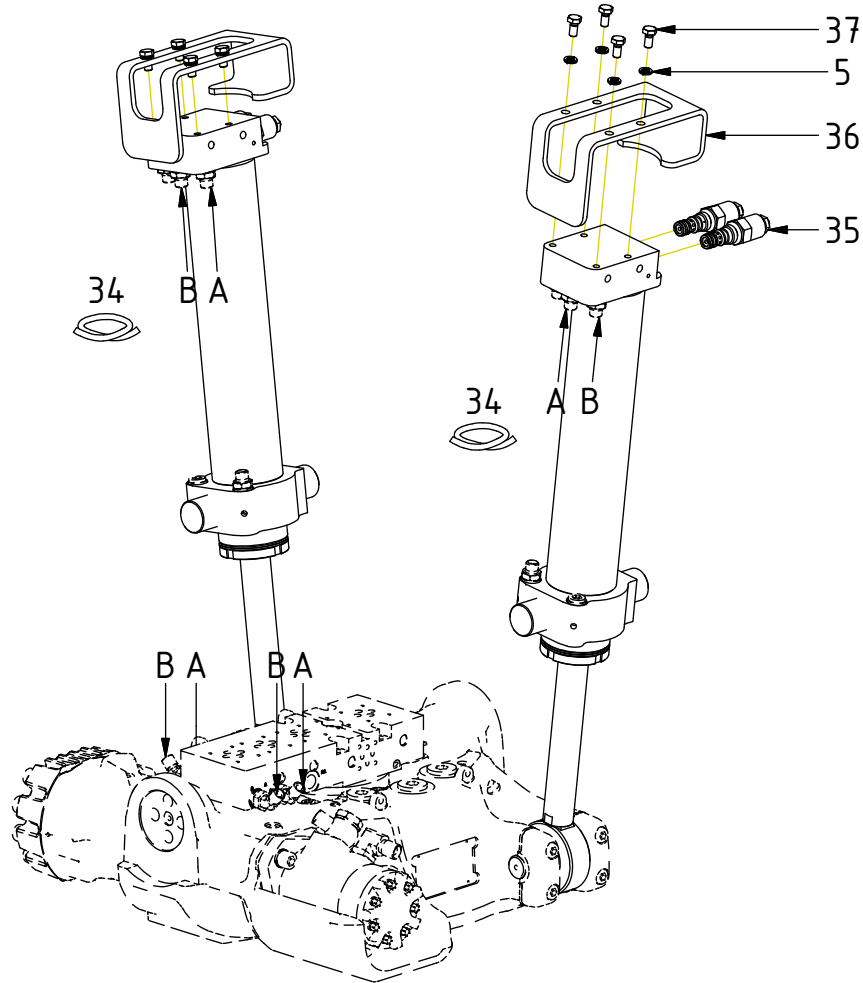
With inserts
(Adjustable width)

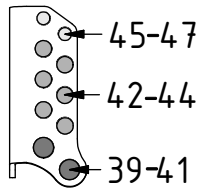


TILT

POS	DESCRIPTION	PART	QTY	COMMENTS
5	Washer NL 8mm	611040	10	QTY: 8 part of Tilt cylinder
34	Hose Tilt Long	7001308	4	
35	Overcentre valve 10:1 adjustable	730269	Torque: 45Nm	
36	Hose protection Tiltcyl.	1003774	2	
37	Screw M6S M8x16 8,8 FZB	610122	8	

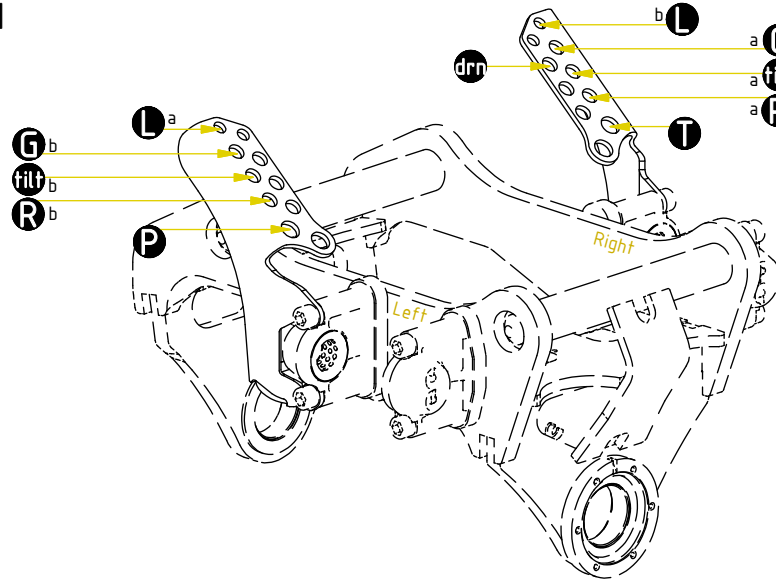
POS in order of assembly



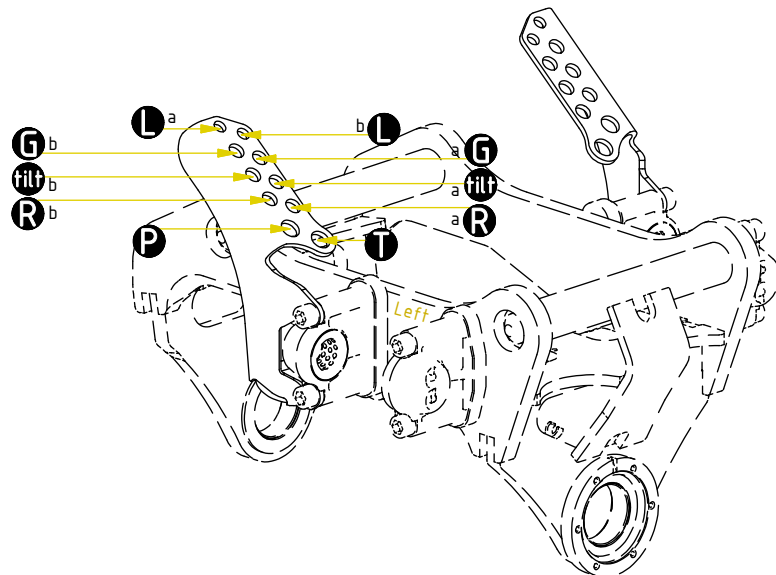


FEED

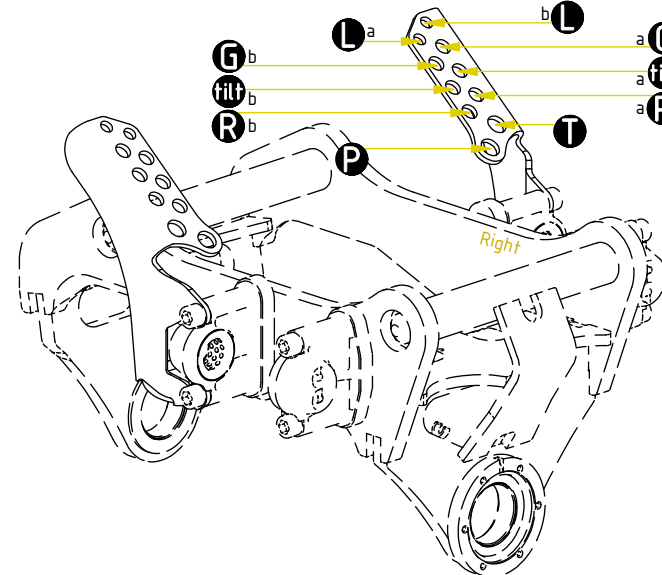
Std feed



Feed Left



Feed Right



POS	DESCRIPTION	PART	QTY	COMMENTS
18	For EC-Oil (no terminals)			See "Top part" QS45
38	For Functions & Feed Hoses			See "Control system"
39	Washer NL 20mm	611098	2	
40	Adapter 1260-08-08 (1/2")	710244	2	
41	Counternut 1270-08 (1/2")	710254	2	
42	Washer NL 16mm	611044	2	
43	Adapter 1260-06-32 (3/8")	710242	2	
44	Counternut 1270-06 (3/8")	710252	2	
45	Washer NL 1/2"	611096	2	
46	Adapter 1260-04-04 (1/4")	710240	2	
47	Counternut 1270-04 (1/4")	710250	2	

POS in order of assembly

TILT

POS	DESCRIPTION	PART	QTY	COMMENTS
27	Hose Tilt Short	742816	2	
34	Hose Tilt Long	7001308	4	



POS in order of assembly

FEED

POS	DESCRIPTION	PART	QTY	COMMENTS
18	For EC-Oil (no terminals)			See "Top part" QS45
38	For Functions & Feed Hoses			See "Control system"

POS in order of assembly

