

COVERSHEET



Planned document changes:

Briefly:

No planned changes.

Document changes:

Date:	Change:	Rev. after change:
2025-01-16	More parts listed.	B
2024-04-29	EC204B added.	A
2023-05-02	New document.	-

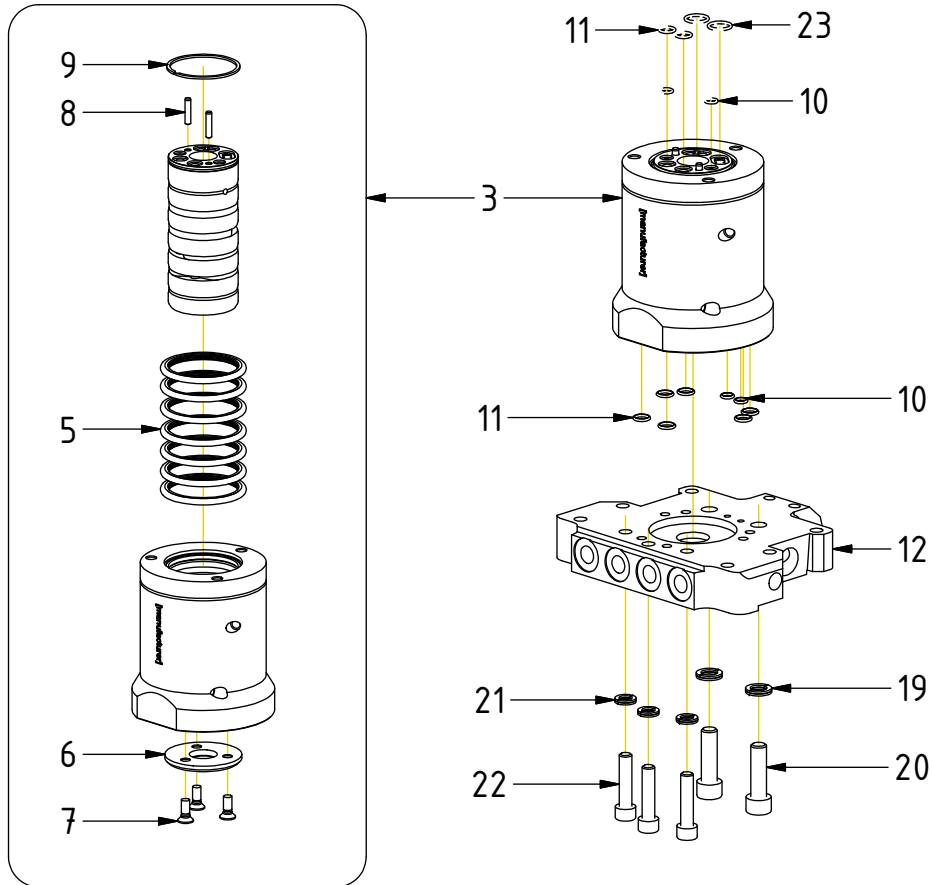
Readers note: Indicates instruction. Represents Hose.

Dashed lines for overview, mounts
on other pages/assemblies.

Connection block & Swivel QSM40

EC204B

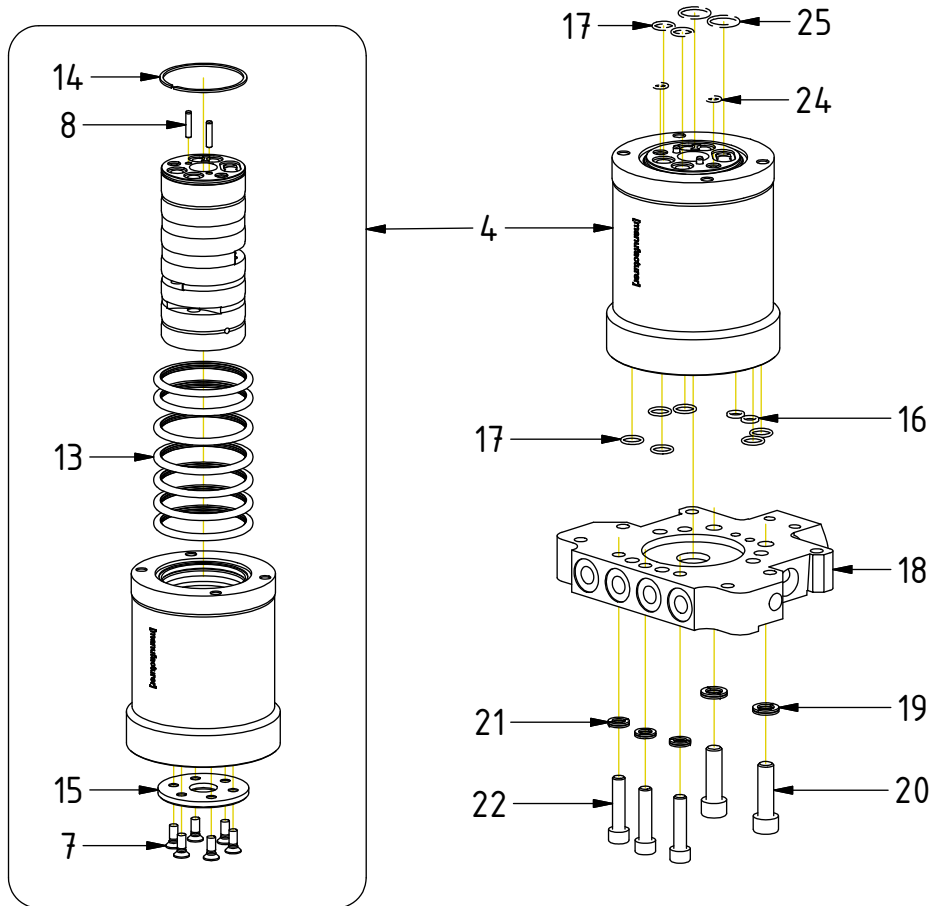
POS	DESCRIPTION	PART	QTY	COMMENTS
1	Connectionbl. & Swivel 6-ch EC204B	1077508	1	(POS.3, 10-12, 19-22 incl.)
3	Swivel QSM40 EC204B Complete	1072010	1	(POS.5-9 incl.)
5	Swivel seal 50/61x4,2	7001671	7	
6	Wear washer QSM40 (EC204B)	1072009	1	
7	Screw MFT 6x16TX30 8.8 FZB	6000406	3	QTY: 6 for EC206B. Torque: 9,8Nm
8	Dowel pin CPK 4x20 m6	6000336	2	
9	Snap ring 7755: RSW 50	1072026	1	
10	O-ring 5,28x1,78	7001568	4	QTY: 2 part of quick hitch assy.
11	O-ring 7,66x1,78	7001939	8	QTY: 2 part of quick hitch assy.
12	Connection block QSM40 EC204B	1071713	1	
19	Washer NL 10mm	611041	2	
20	Screw MC6S M10x35 12.9	610494	2	
21	Washer NL 8mm	611040	3	
22	Screw MC6S M8x35 12.9	610314	3	
23	O-ring 12,42x1,78	710973	2	Part of quick hitch assy.



POS in order of assembly

Connection block & Swivel QSM40

EC206B



POS	DESCRIPTION	PART	QTY	COMMENTS
2	Connectionbl. & Swivel 6-ch EC206B	1065363	1	(POS.4, 16-22 incl.)
4	Swivel 6-ch QSM40 EC206B Complete	1063753	1	(POS.7-8, 13-15 incl.)
7	Screw MFT 6x16TX30 8.8 FZB	6000406	3	QTY: 6 for EC206B. Torque: 9,8Nm
8	Dowel pin CPK 4x20 m6	6000336	2	
13	Swivel seal 60/71x4,2	7001562	7	
14	Snap ring 7757: RSW 60	1060187	1	
15	Wear washer QSM40 (EC206B)	1063747	1	
16	O-ring square 7,66x1,68	7000579	2	
17	O-ring 10,82x1,78	7001171	8	QTY: 2 part of quick hitch assy.
18	Connection block QSM40	1063677	1	
19	Washer NL 10mm	611041	2	
20	Screw MC6S M10x35 12.9	610494	2	
21	Washer NL 8mm	611040	3	
22	Screw MC6S M8x35 12.9	610314	3	
24	O-ring 6,1x1,6	710954	2	Part of quick hitch assy.
25	O-ring 17,17x1,78	710977	2	Part of quick hitch assy.

POS in order of assembly