

## COVERSHEET

## Planned document changes:


**Briefly:**


No planned changes.

## Document changes:

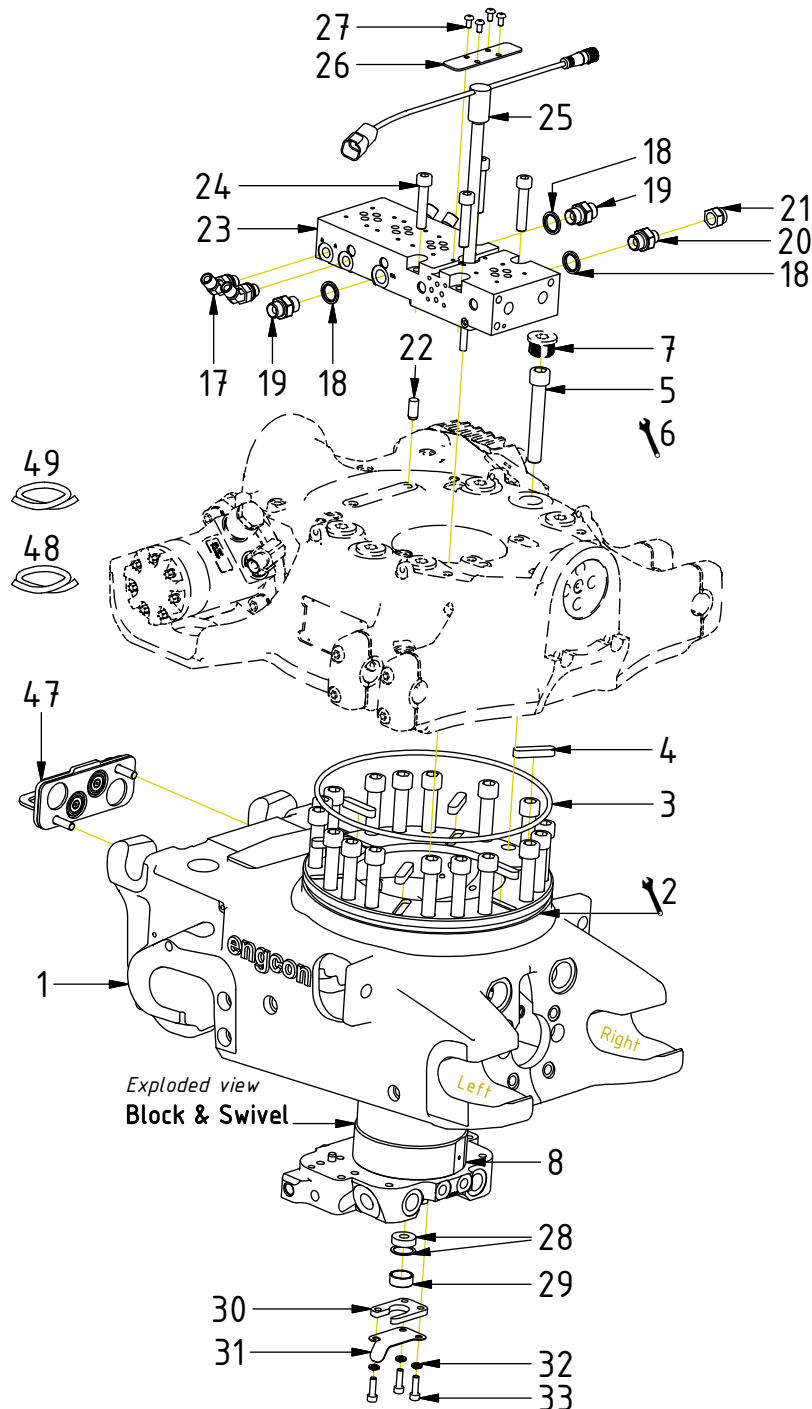
Date:	Change:	Rev. after change:
2023-05-03	O-ring for hitch replaced. Photos updated.	A
2022-08-25	New document.	-

*Readers note:*

 Indicates instruction.

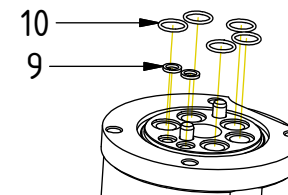
 Represents Hose.

Dashed lines for overview, mounts  
on other pages/assemblies.



POS	DESCRIPTION	PART	QTY	COMMENTS
1	Quick hitch QSM45 V2 EC209B	1062324	1	
2	Grease the ring			
3	O-ring	7001663	1	
4	Feather Key	650101	6	
5	Screw MC6S M14x90 12.9 ZFSHL	6000158	18	Torque: 217Nm
6	Torque tighten rotator frame to hitch. Rotate to access all holes			
7	Pipe plug M26x1,5	650409	6	Part of rotator frame
8	Connect. block & swivel QSM Compl.	1056225	1	
9	O-ring 7,66x1,68 square	7000579	2	
10	O-ring 14x1,78 70 shore	710975	5	
17	Adapter 45° 402-04-04(1/4")	7000104	4	Assemble before valve block
18	Washer GBR06 3/8	710703	11	
19	Adapter 136-06-06 (3/8")	710106	2	
20	Adapter 135-04-06 (1/4"-3/8")	710118	1	
21	Protective cap 155-04 (1/4")	711625	1	
22	Cylindrical pin CPK ø10x24 m6	1020539	1	
23	Valve Block QSM	1052673	1	
24	Screw MC6S M10x50 12.9 ZFSHL	611515	4	Loxeal 83-52. Torque: 79Nm
25	Slip ring QSM45 M12	8001015	1	Mount with marine silicone
26	Cover plate slip ring	1050384	1	
27	Screw K6S M5x10 10.9 untreated	611817	4	
28	Rubber bushing	1046691	1	Use the outer ring. Washer down
29	Ring slip ring QSM	1046692	1	
30	Plate slip ring QSM	1046689	1	
31	Plate cable steering QSM	1046694	1	
32	Washer NL 6mm	611039	3	
33	Screw MC6S M6x20 8,8 FZB	610310	3	
47	Cover plate QSM45 magnet	1056107	1	
48	Hose hydraulic motor Short QSM	7001306	1	
49	Hose hydraulic motor Long QSM	7001307	1	

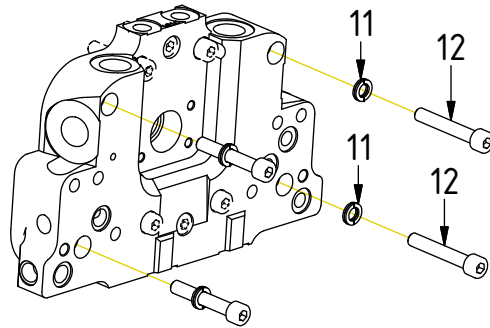
Between swivel & valve block:



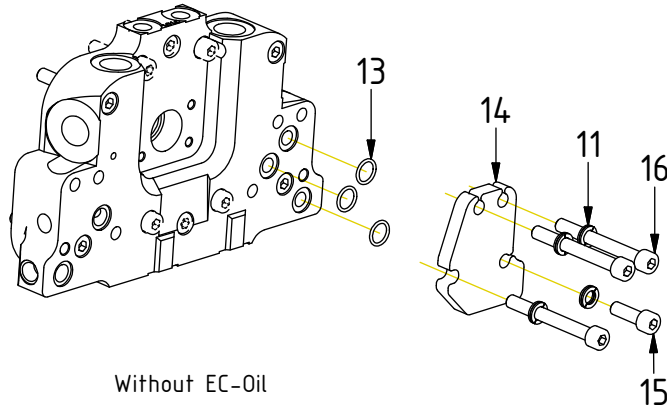
POS in order of assembly

# EC209B - Hitch QSM45

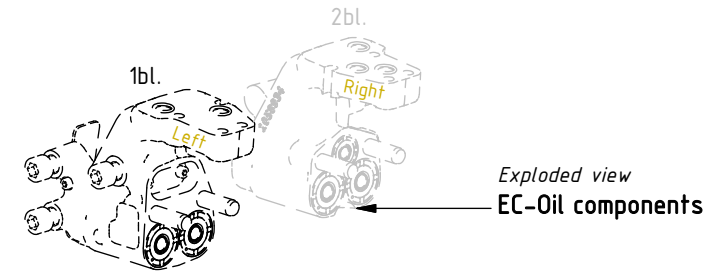
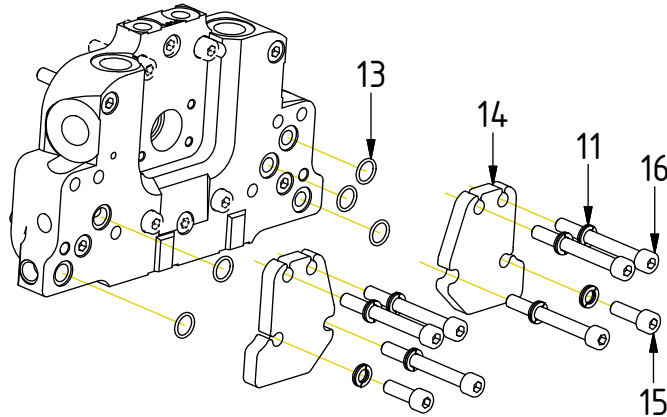
POS	DESCRIPTION	PART	QTY	COMMENTS
11	Washer NL 8mm	611040	4	QTY: 12 without EC-Oil
12	Screw MC6S M8x50 12.9	610439	4	
13	O-ring NBR 70	710973	5	
14	Cover plate QSM45	1056687	2	
15	Screw MC6S M8x25 12.9 ZFSHL	6000143	2	
16	Screw MC6S M8x70 12.9 ZFSHL	6000286	6	



EC-Oil 1bl.

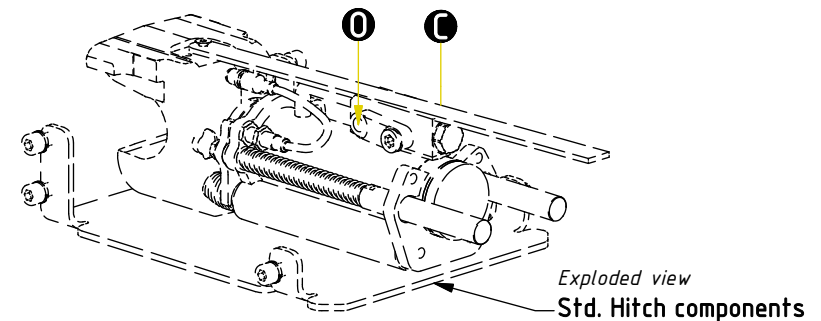
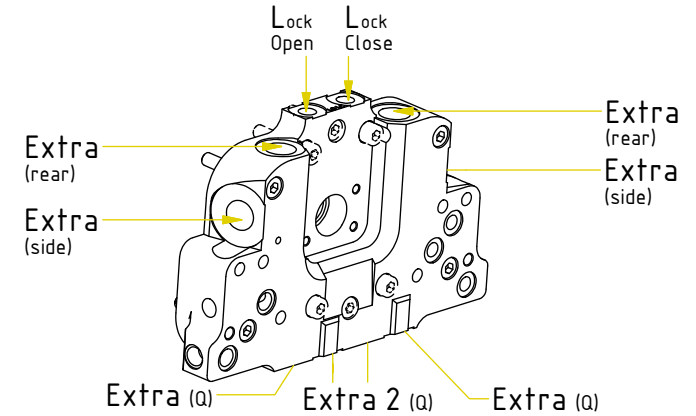
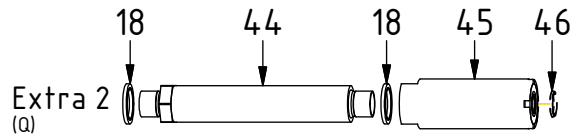
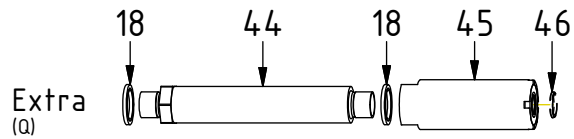
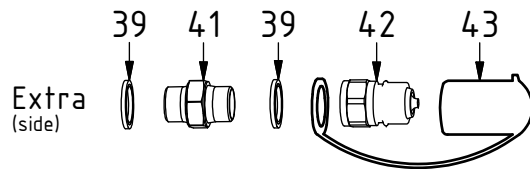
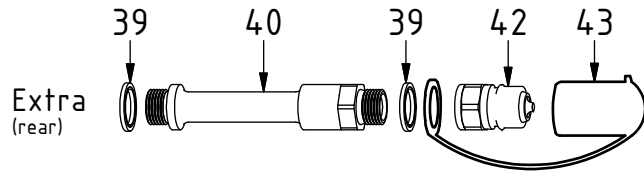
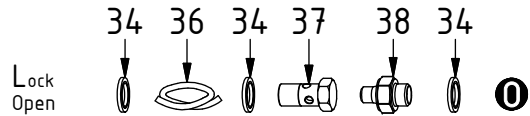
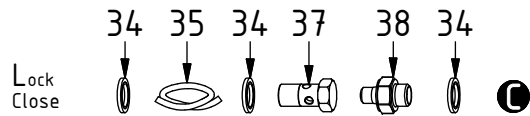


Without EC-Oil

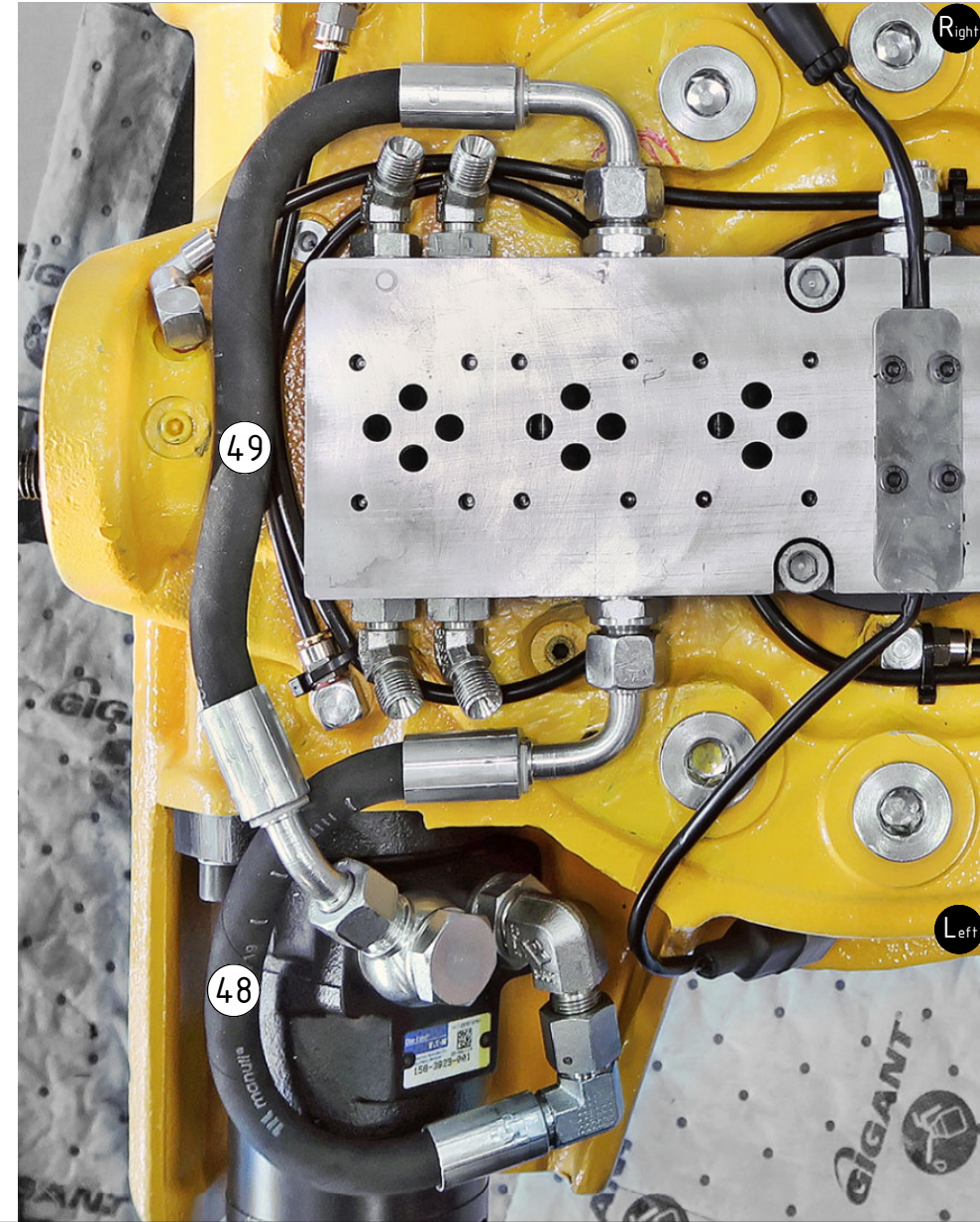
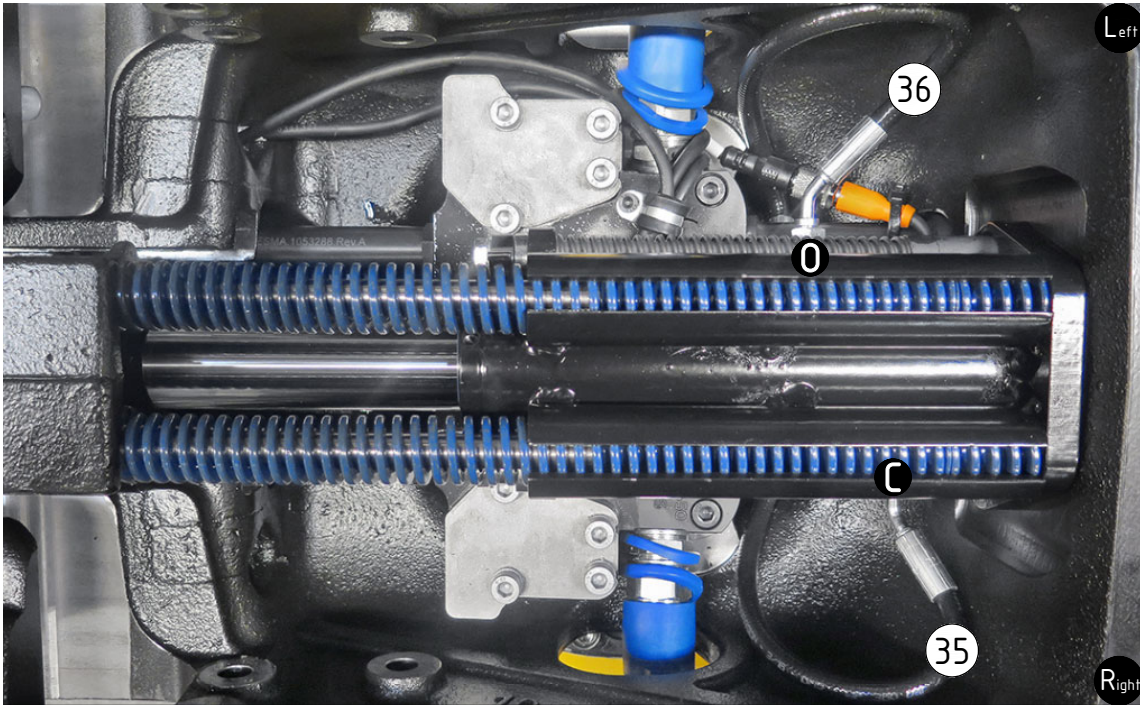
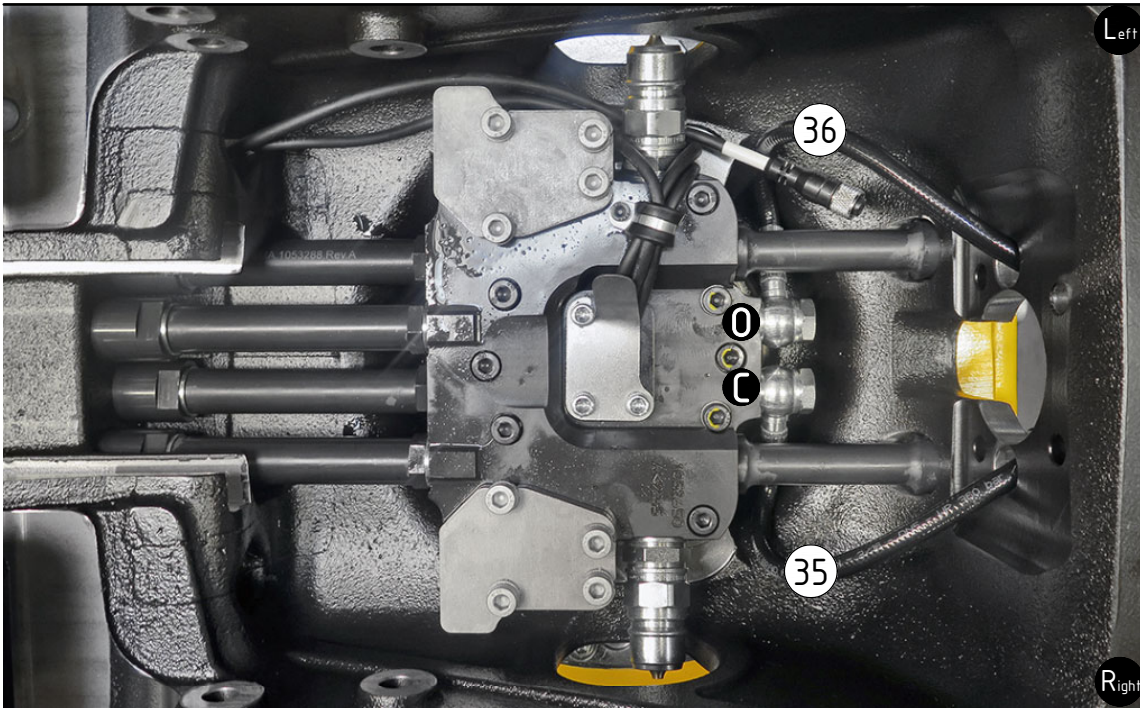


POS in order of assembly

POS	DESCRIPTION	PART	QTY	COMMENTS
18	Washer GBR06 3/8	710703	11	
34	Washer GBR04 1/4	710702	6	
35	Hose Lock C	7001280	1	
36	Hose Lock O	7001279	1	
37	Banjo bolt 4451-04 (1/4")	710271	2	
38	Adapter 135-02-04 (1/8"-1/4")	710103	2	
39	Washer GBR08 1/2	710704	8	
40	Adapter extension 1/2" QSM45	1053175	2	
41	Adapter 136-08-08 (1/2")	710108	2	
42	Quick coupling 1/2"	790115	4	
43	Dust Protection 1/2"	790121	4	
44	Adapter extension 3/8" QSM45	1053288	4	
45	Coupling ECO QSM 3/8" female V3	1055682	4	Loxeal 83-52. (POS.46 incl.)
46	Flat sealing for ECO 3/8" V3	1052976	4	



POS	DESCRIPTION	PART	QTY	COMMENTS
35	Hose Lock C	7001280	1	
36	Hose Lock O	7001279	1	
48	Hose hydraulic motor Short QSM	7001306	1	
49	Hose hydraulic motor Long QSM	7001307	1	



## SPARE PARTS

POS	DESCRIPTION	PART	QTY	COMMENTS
1	Quick hitch QSM45 V2 EC209B	1062324	1	

POS in order of assembly

Replaced by POS.1  
from 2021-03

1052401

