

## COVERSHEET

## Planned document changes:

**Briefly:**

No planned changes.

## Document changes:

| Date:      | Change:                 | Rev.<br>after change: |
|------------|-------------------------|-----------------------|
| 2024-05-16 | Seal in end lock added. | C                     |
| 2023-10-24 | O-rings updated.        | B                     |
| 2022-11-11 | Lox seal added.         | A                     |
| 2022-08-25 | New document.           | -                     |

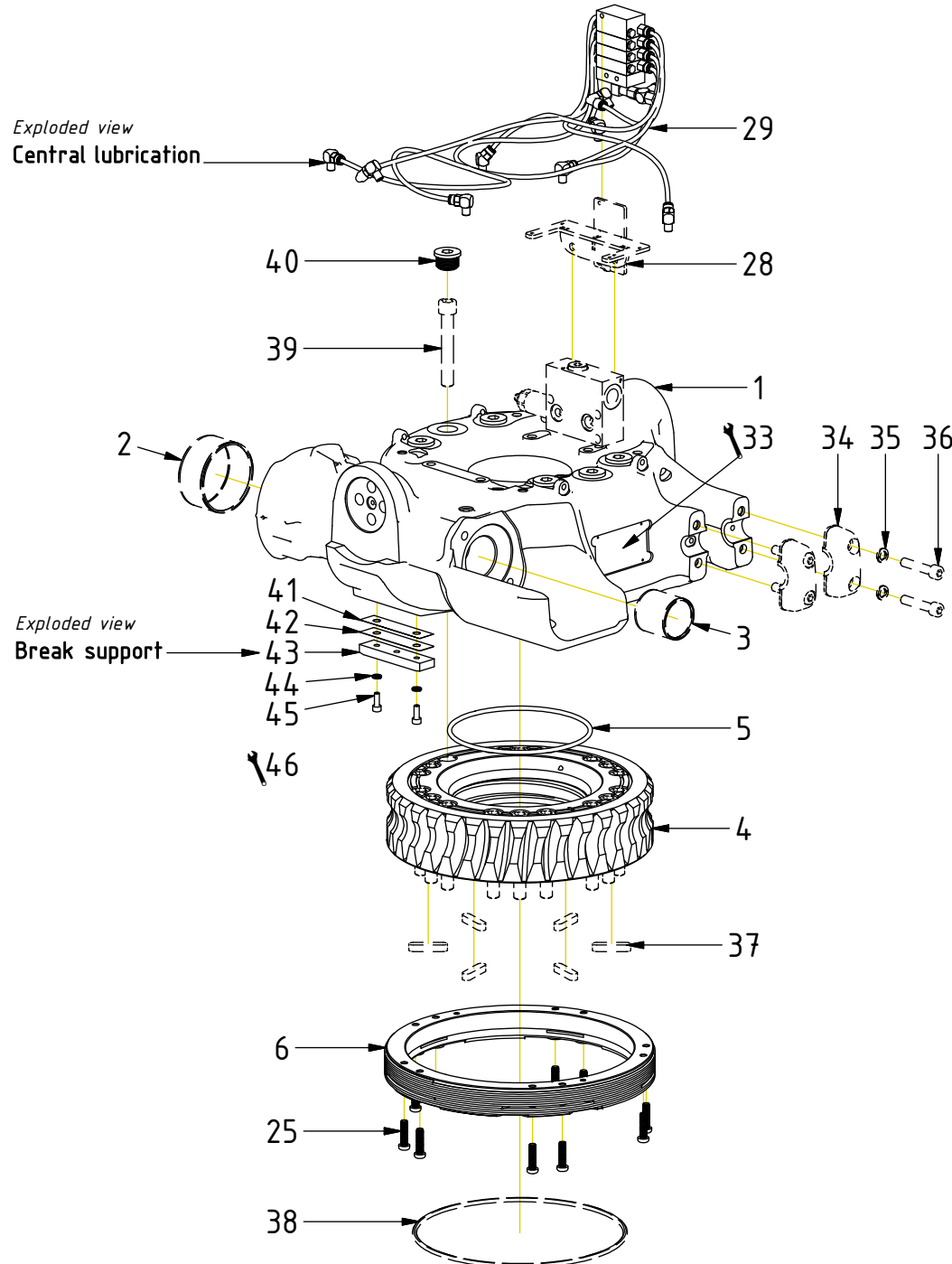
*Readers note:*

Indicates instruction.



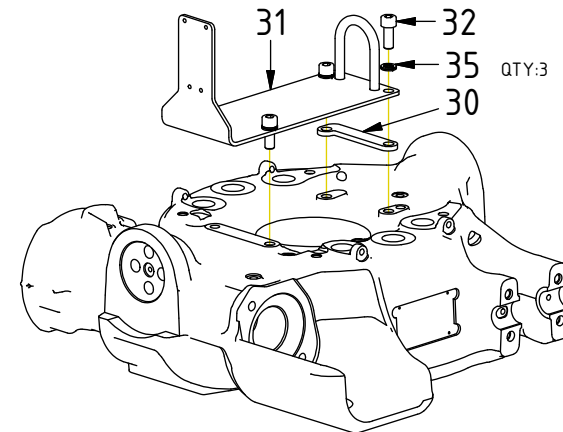
Represents Hose.

Dashed lines for overview, mounts  
on other pages/assemblies.



| POS | DESCRIPTION                        | PART    | QTY | COMMENTS                                 |
|-----|------------------------------------|---------|-----|--|
| 1   | Rotator frame EC209B V2            | 1056657 | 1   | (POS.2-3 incl.)                          |
| 2   | Bushing WB802 80/85x40             | 630103  | 1   |  |
| 3   | Bushing WB802 45/50x50             | 630102  | 1   |  |
| 4   | Worm wheel 18 holes                | 1054242 | 1   |  |
| 5   | O-ring 160x5 NBR 90                | 7001660 | 1   |  |
| 6   | Bearing ring                       | 1061927 | 1   |  |
| 25  | Screw TX45 M8x30 FZB 10,9          | 612201  | 10  | Torque: 34Nm<br>Tighten in cross pattern |
| 28  | Mounting plate Central lub. QSM    | 1055574 | 1   | Part of control system                   |
| 29  | Lubrication kit QSM                | 1056598 | 1   |  |
| 30  | Spacer valve block EC209           | 1058993 | 1   |  |
| 31  | Fastening plate EC209U             | 1039502 | 1   |  |
| 32  | Screw MC6S M10x25 12.9 ZFSHL       | 6000195 | 3   |  |
| 33  | Punch serial no into rotator frame |         |     |  |
| 34  | Clamping half Complete             | 1022942 | 4   | Part of top part                         |
| 35  | Washer NL 10mm                     | 611041  | 8   | Part of top part                         |
| 36  | Screw MC6S M10x50 12.9 ZFSHL       | 611515  | 8   | Part of top part. Torque: 79Nm           |
| 37  | Feather Key                        | 650101  | 6   | Part of quick hitch                      |
| 38  | O-ring 242x5 NBR 90                | 7001663 | 1   | Part of quick hitch                      |
| 39  | Screw MC6S M14x90 12.9 ZFSHL       | 6000158 | 18  | Part of quick hitch. Torque: 217Nm       |
| 40  | Pipe plug M26x1,5                  | 650409  | 6   |  |
| 41  | Supporting plate shim 0,1 mm       | 1055262 | 1   |  |
| 42  | Supporting plate shim 0,3mm        | 1055260 | 1   |  |
| 43  | Supporting Plate EC209             | 1055258 | 1   |  |
| 44  | Washer NL 6mm                      | 611039  | 2   |  |
| 45  | Screw MC6S M6x16 12.9 ZFSHL        | 6000017 | 2   |  |
| 46  | Break play: 0,5mm - 0,7mm          |         |     | Assy. between frame & quick hitch        |

EC209U:

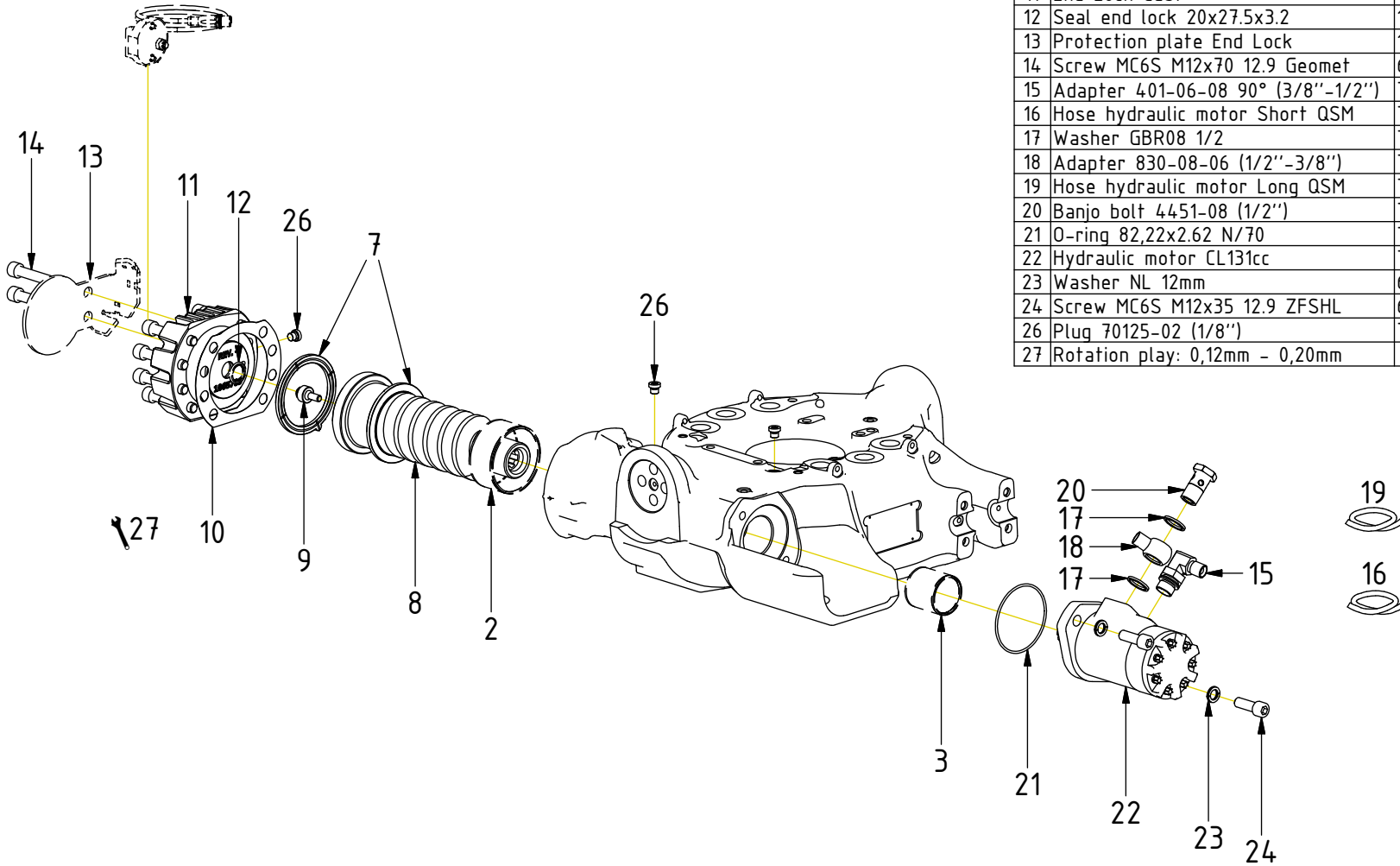


POS in order of assembly

# EC209B - Rotator frame

POS in order of assembly

**EC209BS:**  
Exploded view  
ePS2 Sensors



| POS | DESCRIPTION                       | PART    | QTY | COMMENTS                          |
|-----|-----------------------------------|---------|-----|-----------------------------------|
| 2   | Bushing WB802 80/85x40            | 630103  | 1   |                                   |
| 3   | Bushing WB802 45/50x50            | 630102  | 1   |                                   |
| 7   | Axial washer (with ear)           | 1010758 | 2   | Face groove toward worm screw     |
| 8   | Worm Screw                        | 1016453 | 1   |                                   |
| 9   | Magnet Spacer Worm Screw          | 1062693 | 1   | Loxal 83-52. Torque: 20Nm         |
| 10  | Shims kit End Lock 0,3-0,4-0,5mm  | 1034434 | 1   |                                   |
| 11  | End Lock Cast                     | 1065789 | 1   | (POS.12 incl.)                    |
| 12  | Seal end lock 20x27.5x3.2         | 1063616 | 1   |                                   |
| 13  | Protection plate End Lock         | 1063372 | 1   | Part of control system            |
| 14  | Screw MC6S M12x70 12.9 Geomet     | 611517  | 8   | Torque: 136Nm                     |
| 15  | Adapter 401-06-08 90° (3/8"-1/2") | 710157  | 1   |                                   |
| 16  | Hose hydraulic motor Short QSM    | 7001306 | 1   | Part of quick hitch               |
| 17  | Washer GBR08 1/2                  | 710704  | 2   |                                   |
| 18  | Adapter 830-08-06 (1/2"-3/8")     | 710193  | 1   |                                   |
| 19  | Hose hydraulic motor Long QSM     | 7001307 | 1   | Part of quick hitch               |
| 20  | Banjo bolt 4451-08 (1/2")         | 710274  | 1   |                                   |
| 21  | O-ring 82,22x2.62 N/70            | 7000920 | 1   |                                   |
| 22  | Hydraulic motor CL131cc           | 720112  | 1   |                                   |
| 23  | Washer NL 12mm                    | 611042  | 2   |                                   |
| 24  | Screw MC6S M12x35 12.9 ZFSL       | 6000150 | 2   | Torque: 136Nm                     |
| 26  | Plug 70125-02 (1/8")              | 711503  | 4   |                                   |
| 27  | Rotation play: 0,12mm - 0,20mm    |         |     | Note rotation play on module card |

## SPARE PARTS

| POS | DESCRIPTION                       | PART    | QTY | COMMENTS  |
|-----|-----------------------------------|---------|-----|---|
| 11  | End Lock Cast                     | 1065789 | 1   | (POS.12 incl.)  |
| 44  | Washer NL 6mm                     | 611039  | 2   |   |
| 47  | End lock EC209<br>with or w/o ePS | 1016557 | 1   | Replaced by POS.11<br>between 2022-05 - 2022-10         |
| 48  | Screw MC6S M12x80 12.9 ZFSHL      | 6000148 | 8   | Torque: 136Nm   |
| 49  | Spacer Plate                      | 1065370 | 1   |   |
| 50  | O-ring 27x5                       | 7000485 | 1   |   |
| 51  | Cover end lock w/o ePS            | 1041613 | 1   |   |
| 52  | Screw MC6S M6x20 A4-80            | 611513  | 3   |   |
| 53  | Protection ePS                    | 1033565 | 1   |   |
| 54  | End lock w/o ePS                  | 1016415 | 1   | Replaced by POS.47 from 2022-01<br>(Used w/o POS.49-52) |

POS in order of assembly

