

COVERSHEET

Planned document changes:

Briefly:

POS.5 replaced by 7001660.
POS.37 replaced by 7001663.

Document changes:

Date:	Change:	Rev. after change:
2022-11-11	Loxeal added.	A
2022-08-25	New document.	-

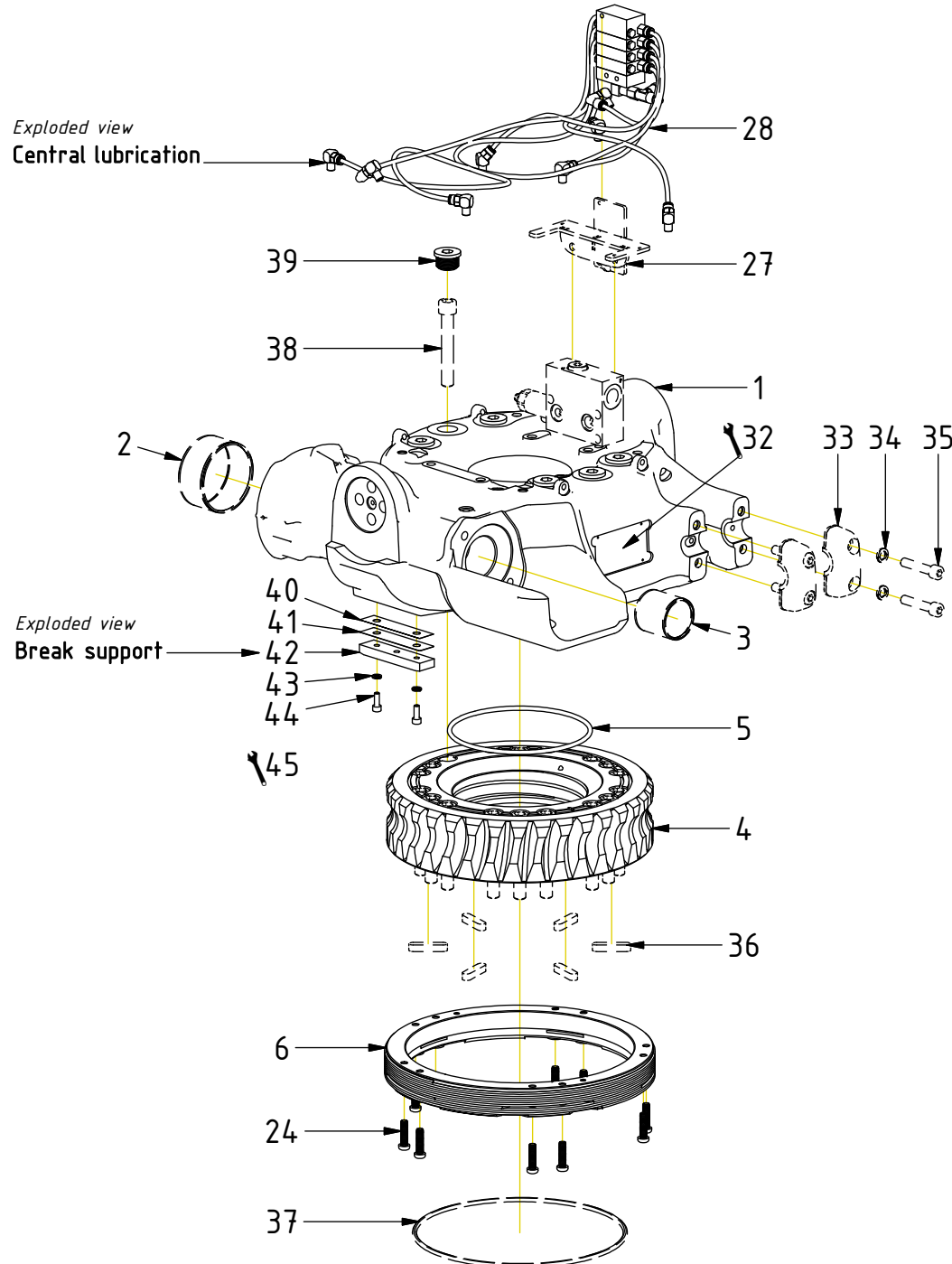
Readers note:

Indicates instruction.

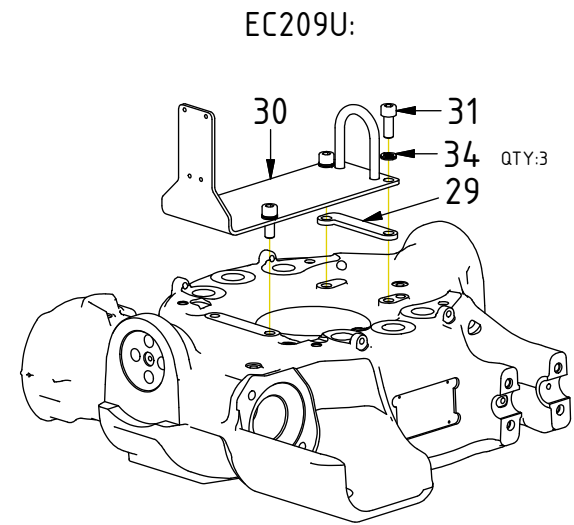


Represents Hose.

Dashed lines for overview, mounts
on other pages/assemblies.



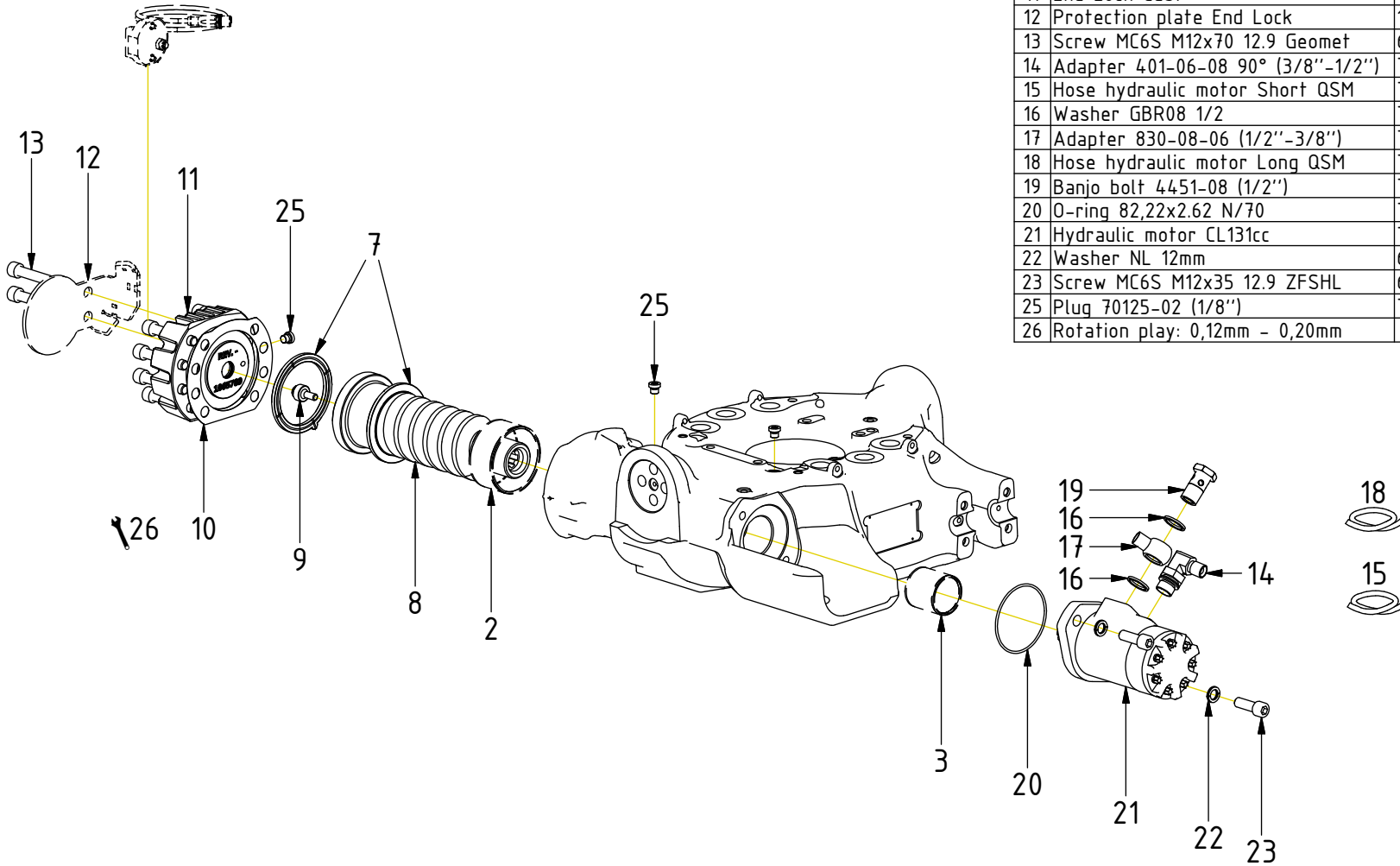
POS	DESCRIPTION	PART	QTY	COMMENTS
1	Rotator frame EC209B V2	1056657	1	(POS.2-3 incl.)
2	Bushing WB802 80/85x40	630103	1	
3	Bushing WB802 45/50x50	630102	1	
4	Worm wheel 18 holes	1054242	1	
5	O-ring 160x5 NBR70	712401	1	
6	Bearing ring	1061927	1	
24	Screw TX40 M8x30 FZB 10,9	612201	10	Torque: 34Nm
27	Mounting plate Central lub. QSM	1055574	1	Part of control system
28	Lubrication kit QSM	1056598	1	
29	Spacer valve block EC209	1058993	1	
30	Fastening plate EC209U	1039502	1	
31	Screw MC6S M10x25 12.9 ZFSLH	6000195	3	
32	Punch serial no into rotator frame			
33	Clamping half Complete	1022942	4	Part of top part
34	Washer NL 10mm	611041	8	Part of top part
35	Screw MC6S M10x50 12.9 ZFSLH	611515	8	Part of top part. Torque: 79Nm
36	Feather Key	650101	6	Part of quick hitch
37	O-ring 242x5	710965	1	Part of quick hitch
38	Screw MC6S M14x90 12.9 ZFSLH	6000158	18	Part of quick hitch. Torque: 217Nm
39	Pipe plug M26x1,5	650409	6	
40	Supporting plate shim 0,1 mm	1055262	1	
41	Supporting plate shim 0,3mm	1055260	1	
42	Supporting Plate EC209	1055258	1	
43	Washer NL 6mm	611039	2	
44	Screw MC6S M6x16 12.9 ZFSLH	6000017	2	
45	Break play: 0,5mm - 0,7mm			Assy. between frame & quick hitch



EC209B - Rotator frame

POS in order of assembly

EC209BS:
Exploded view
ePS2 Sensors



POS	DESCRIPTION	PART	QTY	COMMENTS
2	Bushing WB802 80/85x40	630103	1	
3	Bushing WB802 45/50x50	630102	1	
7	Axial washer (with ear)	1010758	2	Face groove toward worm screw
8	Worm Screw	1016453	1	
9	Magnet Spacer Worm Screw	1062693	1	Loxeal 83-52. Torque: 20Nm
10	Shims kit End Lock 0,3-0,4-0,5mm	1034434	1	
11	End Lock Cast	1065789	1	
12	Protection plate End Lock	1063372	1	Part of control system
13	Screw MC6S M12x70 12.9 Geomet	611517	8	Torque: 136Nm
14	Adapter 401-06-08 90° (3/8"-1/2")	710157	1	
15	Hose hydraulic motor Short QSM	7001306	1	Part of quick hitch
16	Washer GBR08 1/2	710704	2	
17	Adapter 830-08-06 (1/2"-3/8")	710193	1	
18	Hose hydraulic motor Long QSM	7001307	1	Part of quick hitch
19	Banjo bolt 4451-08 (1/2")	710274	1	
20	O-ring 82,22x2.62 N/70	7000920	1	
21	Hydraulic motor CL131cc	720112	1	
22	Washer NL 12mm	611042	2	
23	Screw MC6S M12x35 12.9 ZFSL	6000150	2	Torque: 136Nm
25	Plug 70125-02 (1/8")	711503	4	
26	Rotation play: 0,12mm - 0,20mm			Note rotation play on module card

SPARE PARTS

POS	DESCRIPTION	PART	QTY	COMMENTS
11	End Lock Cast	1065789	1	
43	Washer NL 6mm	611039	2	
46	End lock EC209 with or w/o ePS	1016557	1	Replaced by POS.11 between 2022-05 - 2022-10
47	Screw MC6S M12x80 12.9 ZFSHL	6000148	8	Torque: 136Nm
49	O-ring 27x5	7000485	1	
50	Cover end lock w/o ePS	1041613	1	
51	Screw MC6S M6x20 A4-80	611513	3	
52	Protection ePS	1033565	1	
53	End lock w/o ePS	1016415	1	Replaced by POS.46 from 2022-01 (Used w/o POS.48-51)

POS in order of assembly

