

COVERSHEET

Planned document changes:

Briefly:

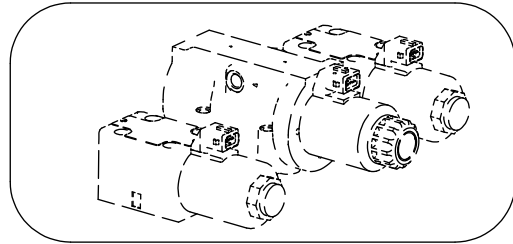
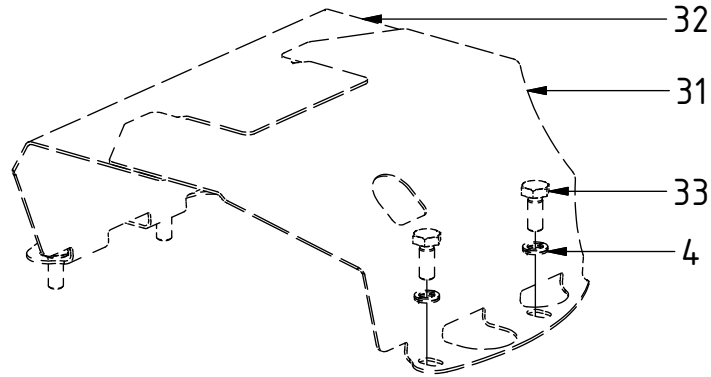
Add to POS.5: Torque: 79Nm.
Add to POS.6: Torque: 120Nm.

Correct part no for POS.26: 7000027.

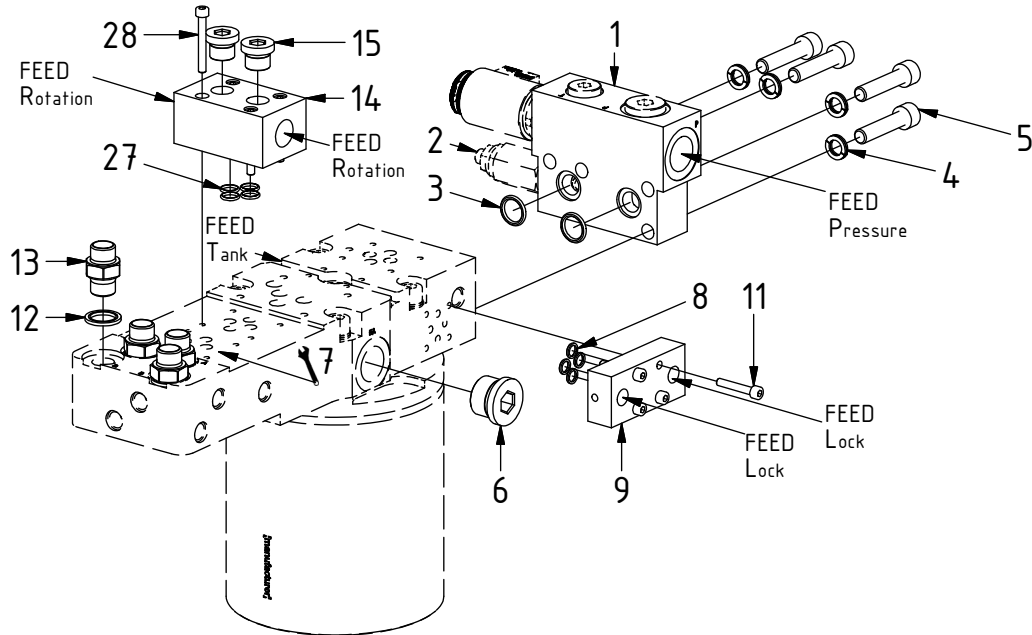
Document changes:

Date:	Change:	Rev. after change:
2022-05-02	New instruction.	-

EC219 QSM - ss9SQ Hoses

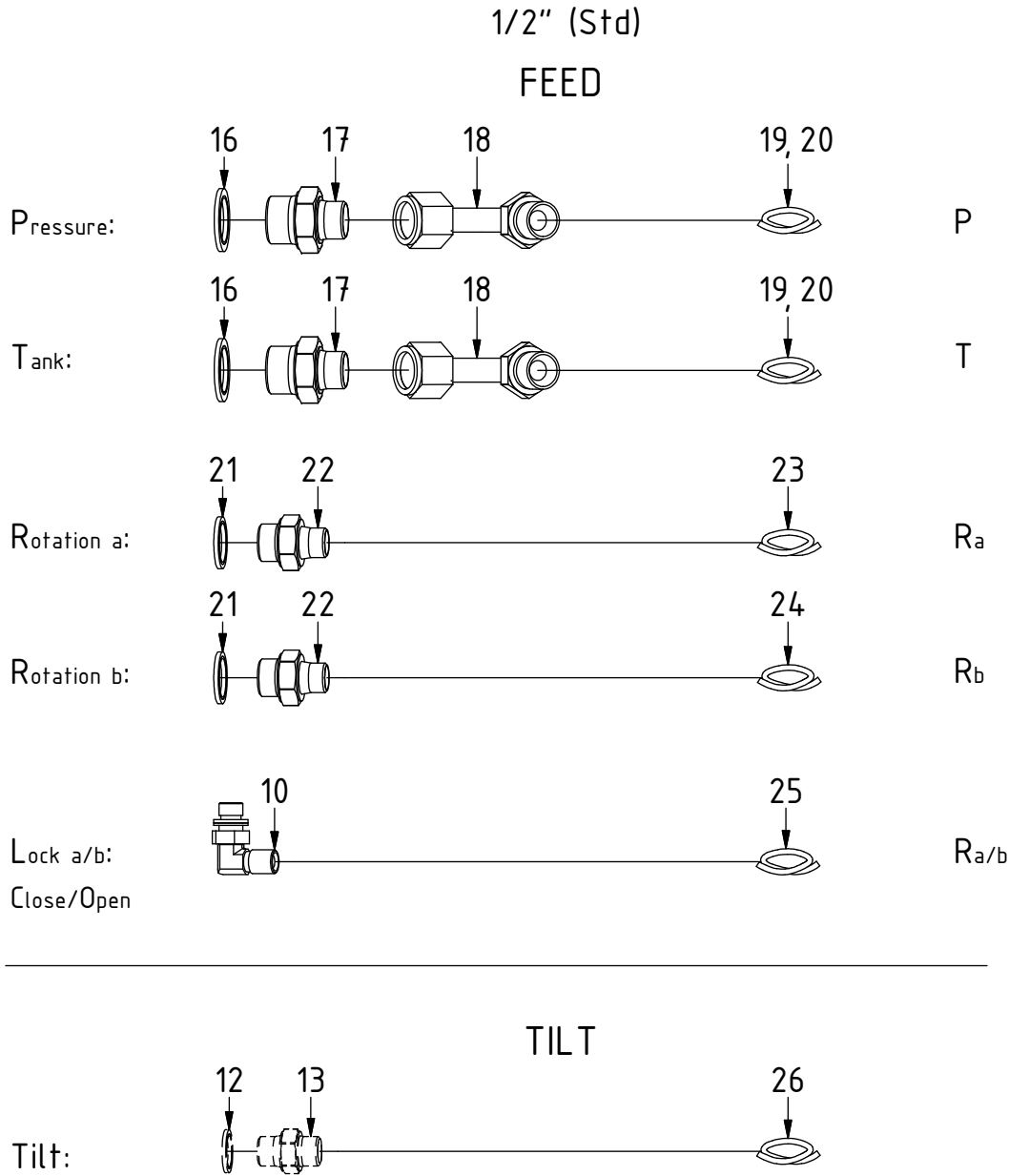


See instruction,
Std. Valves & cables



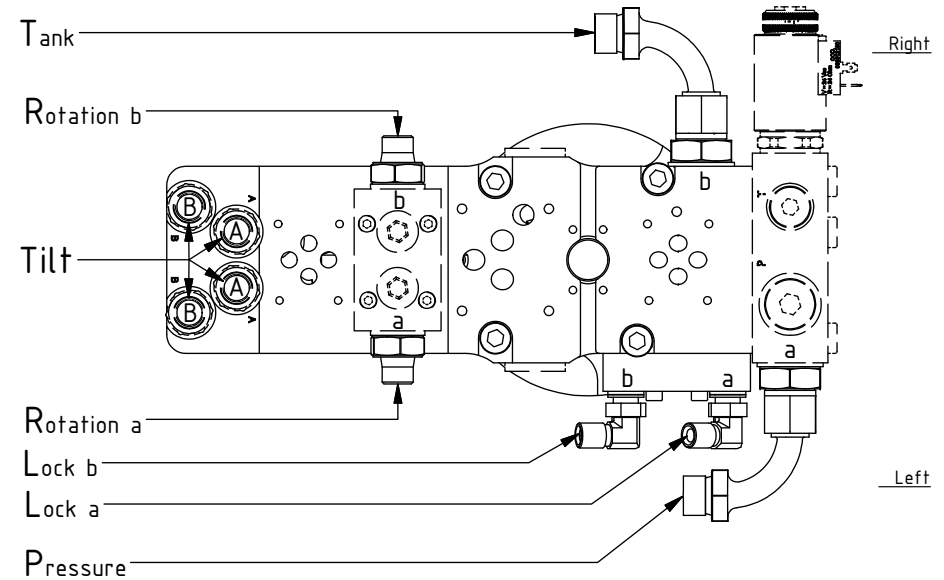
POS	DESCRIPTION	PART	QTY	COMMENTS
1	Connection block P reducer +Dump	1027707	1	(Dump & POS.2 included)
2	Dual relief valve 1CLR100	730287	1	
3	O-ring 15,54x2,62	712423	2	
4	Washer NL 10mm	611041	8	QTY: 4 part of make up
5	MC6S M10x45 12.9	610589	4	
6	Plug 70125-12 (3/4")	711532	2	
7	For option ST			See p.5 for instruction
8	O-ring 7,65x1,78	710960	4	
9	Connection block SQ	1009586	1	Mount before adapters and feed hoses
11	MC6S M5x30 12.9	610403	4	Torque: 9,7Nm
12	Washer GBR06 3/8	710703	4	QTY: 6 for option ST
13	Adapter 136-06-06 (3/8")	710106	4	
14	Connection block 1/2"	405670	1	
15	Plug 3/8"	711504	2	
27	O-ring 9,25x1,78	710901	4	
28	MC6S M5x40 12.9	610405	4	Torque: 9,7Nm
31	Protective cover EC219 ECHF left	1027795	1	Part of make up
32	Protective cover EC219 ECHF right	1027796	1	Part of make up
33	M6S M10x25 8,8 FZB	610142	4	Part of make up

EC219 QSM - ss9SQ Hoses



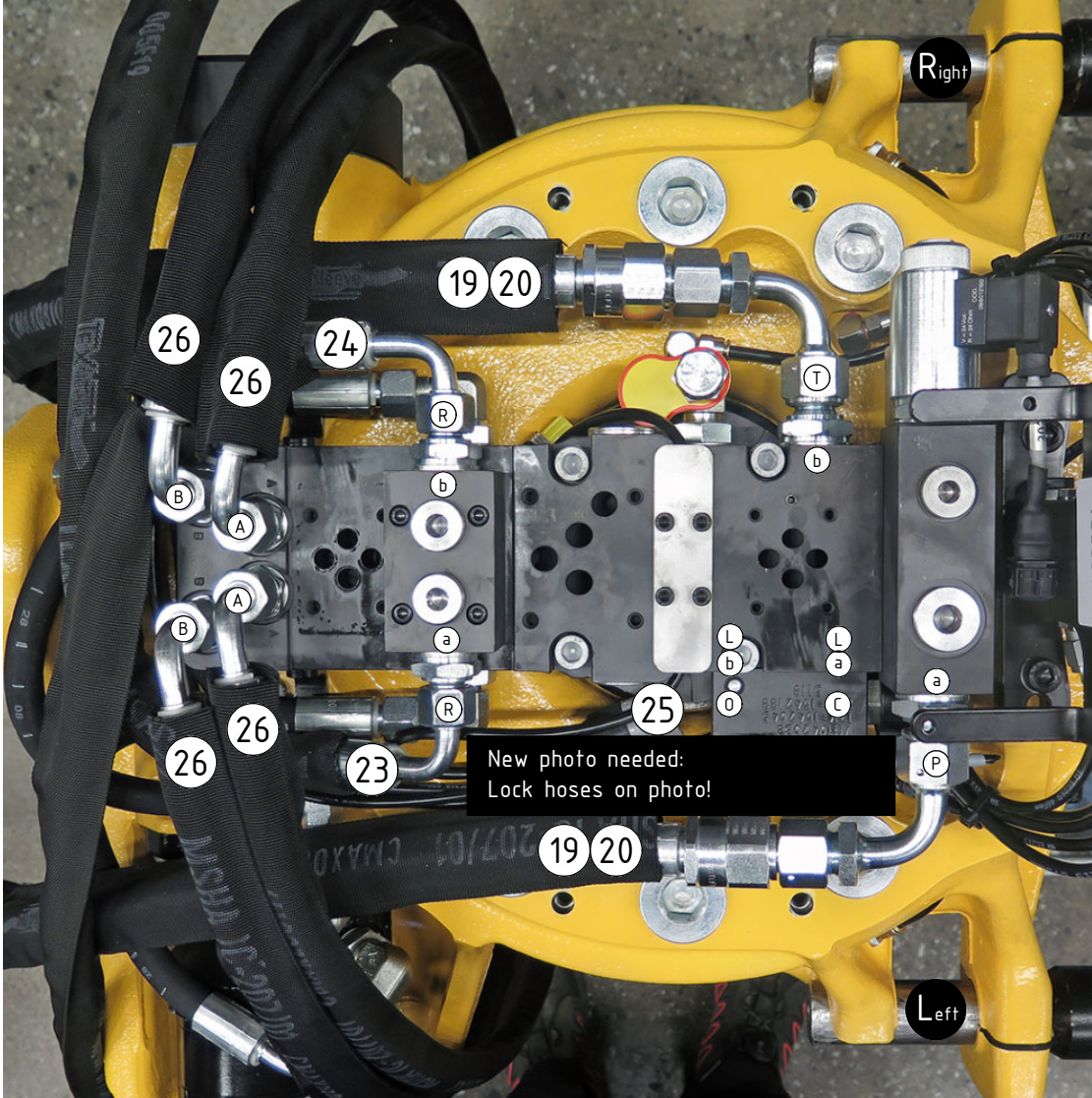
POS	DESCRIPTION	PART	QTY	COMMENTS
7	For option ST			See p.5 for instruction
10	Adapter 401-04-04 90° (1/4")	710151	2	
12	Washer GBR06 3/8	710703	4	QTY: 6 for option ST
13	Adapter 136-06-06 (3/8")	710106	4	
16	Washer GBR12 3/4	710706	2	
17	Adapter 135-08-12 (1/2"-3/4")	710109	2	
18	Adapter 488-08-08 90° (1/2")	712209	2	
19	Hose Feed 1/2"	742620	2	QTY: 1 for Feed Right/Left
20	Hose Feed 1/2" Right/Left	742657	1	Feed Right: Mount on left side Feed Left: Mount on right side
21	Washer GBR08 1/2	710704	2	
22	Adapter 135-06-08	710122	2	
23	Hose Rotation a	7001312	1	
24	Hose Rotation b	7001313	1	
25	Hose Lock a/b	7000032	2	
26	Hose Tilt	743001	4	

POS in order of assembly



EC219 QSM - ss9SQ Hoses

1/2" (Std)



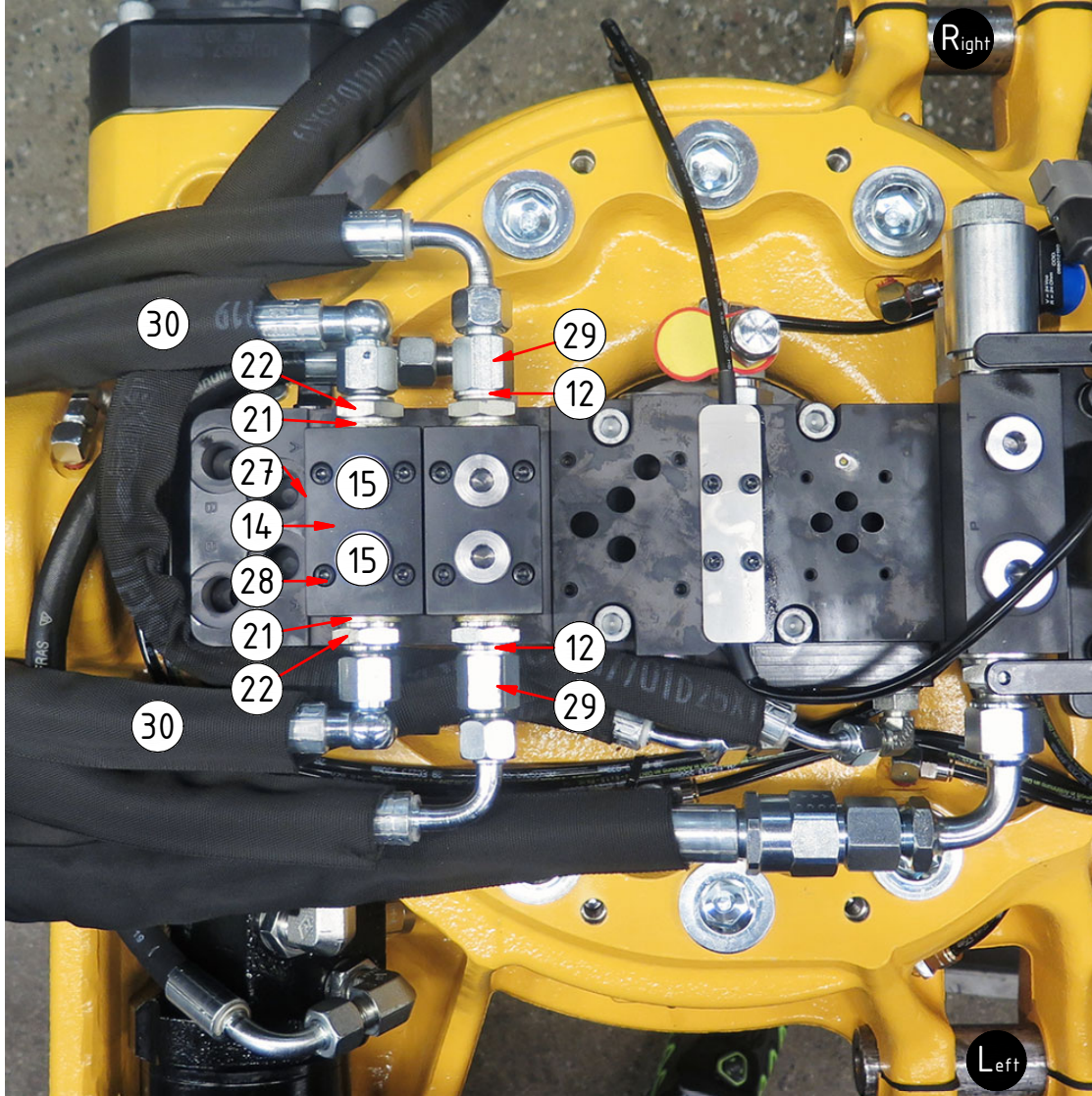
POS	DESCRIPTION	PART	QTY	COMMENTS
7	For option ST			See p.5 for instruction
19	Hose Feed 1/2"	742620	2	QTY: 1 for Feed Right/Left
20	Hose Feed 1/2" Right/Left	742657	1	Feed Right: Mount on left side Feed Left: Mount on right side
23	Hose Rotation a	7001312	1	
24	Hose Rotation b	7001313	1	
25	Hose Lock a/b	7000032	2	
26	Hose Tilt	743001	4	

POS in order of assembly

EC219 QSM - ss9SQ Hoses

special / options

ST:



POS	DESCRIPTION	PART	QTY	COMMENTS
12	Washer GBR06 3/8	710703	4	QTY: 6 for option ST
15	Plug 3/8"	711504	2	
21	Washer GBR08 1/2	710704	2	
22	Adapter 135-06-08	710122	2	
27	O-ring 9,25x1,78	710901	4	
28	MC6S M5x40 12.9	610405	4	Torque: 9,7Nm
29	Adapter 236-06-06	710131	2	
30	Hose Feed Tilt	7000323	2	

POS in order of assembly