

## COVERSHEET

## Planned document changes:

**Briefly:**

No planned changes.

## Document changes:

Date:	Change:	Rev. after change:
2023-01-11	Photos added.	B
2022-11-18	New document.	A
2022-05-17	Pre-series draft.	-

*Readers note:*

Indicates instruction.

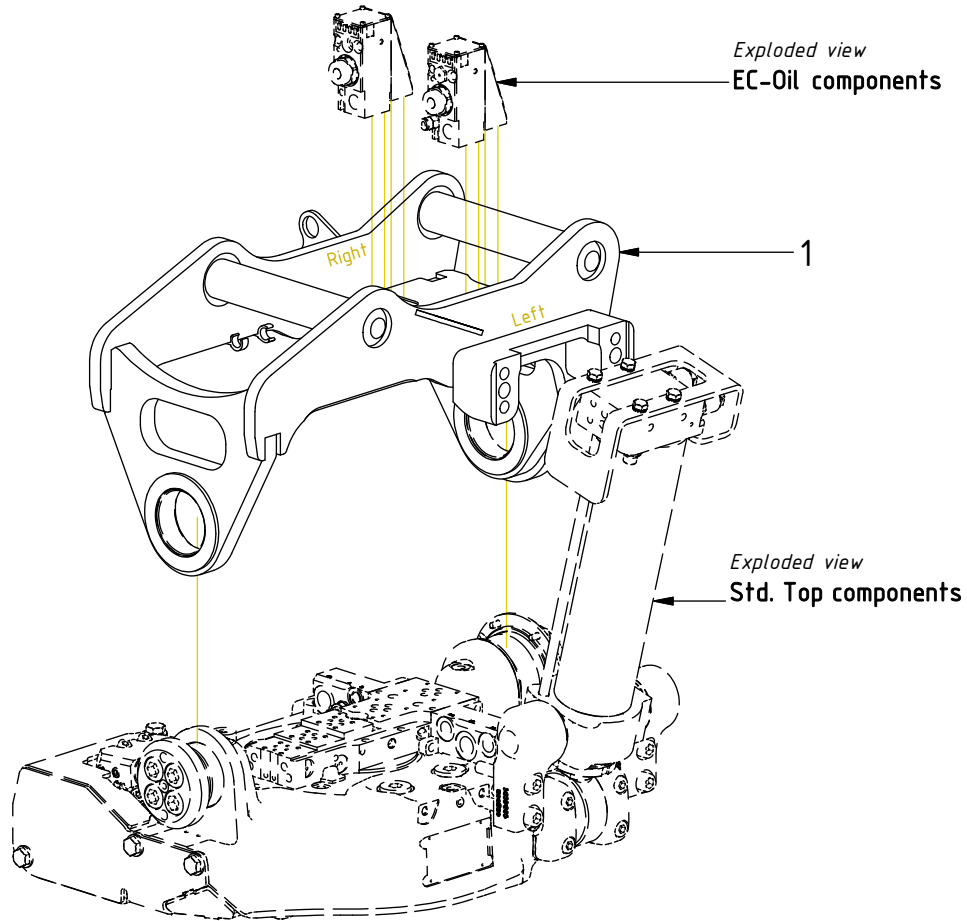


Represents Hose.

Dashed lines for overview, mounts  
on other pages/assemblies.

POS	DESCRIPTION	PART	QTY	COMMENTS
1	Top part QS40 EC206B	1062614	1	

POS in order of assembly

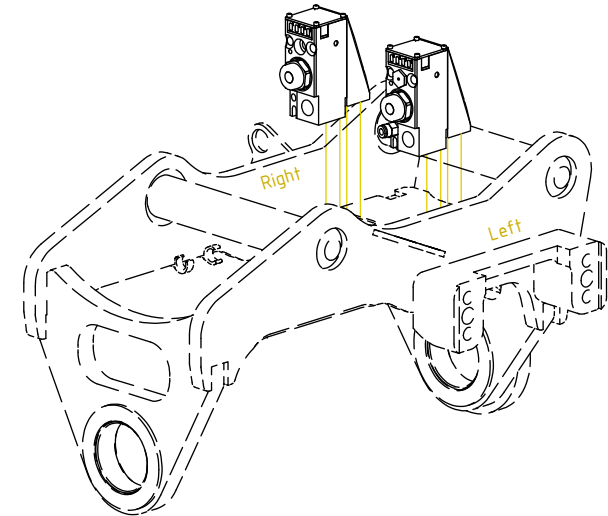
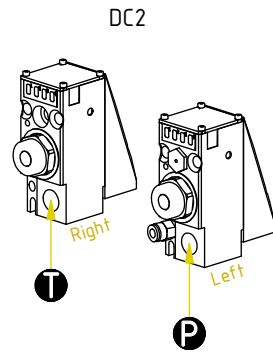


**T** ← 3-4  
**P** ← 3-4

FEED  
 EC-Oil

POS	DESCRIPTION	PART	QTY	COMMENTS
2	For Feed Hoses			See "Control system"
3	Washer GBR06 3/8	710703	2	
4	Adapter 136-06-06 (3/8")	710106	2	

POS in order of assembly



**FEED**  
DC2 EC-Oil

POS	DESCRIPTION	PART	QTY	COMMENTS
2	For Feed Hoses			See "Control system"
●	Use cable ties			

POS in order of assembly

