

COVERSHEET

Planned document changes:


Briefly:


No planned changes.

Document changes:

Date:	Change:	Rev. after change:
2024-03-14	Tilt axle cover updated.	C
2023-03-30	ss9 and ss0 added.	B
2022-11-17	New document.	A
2022-05-17	Pre-series draft.	-

Readers note:

 Indicates instruction.

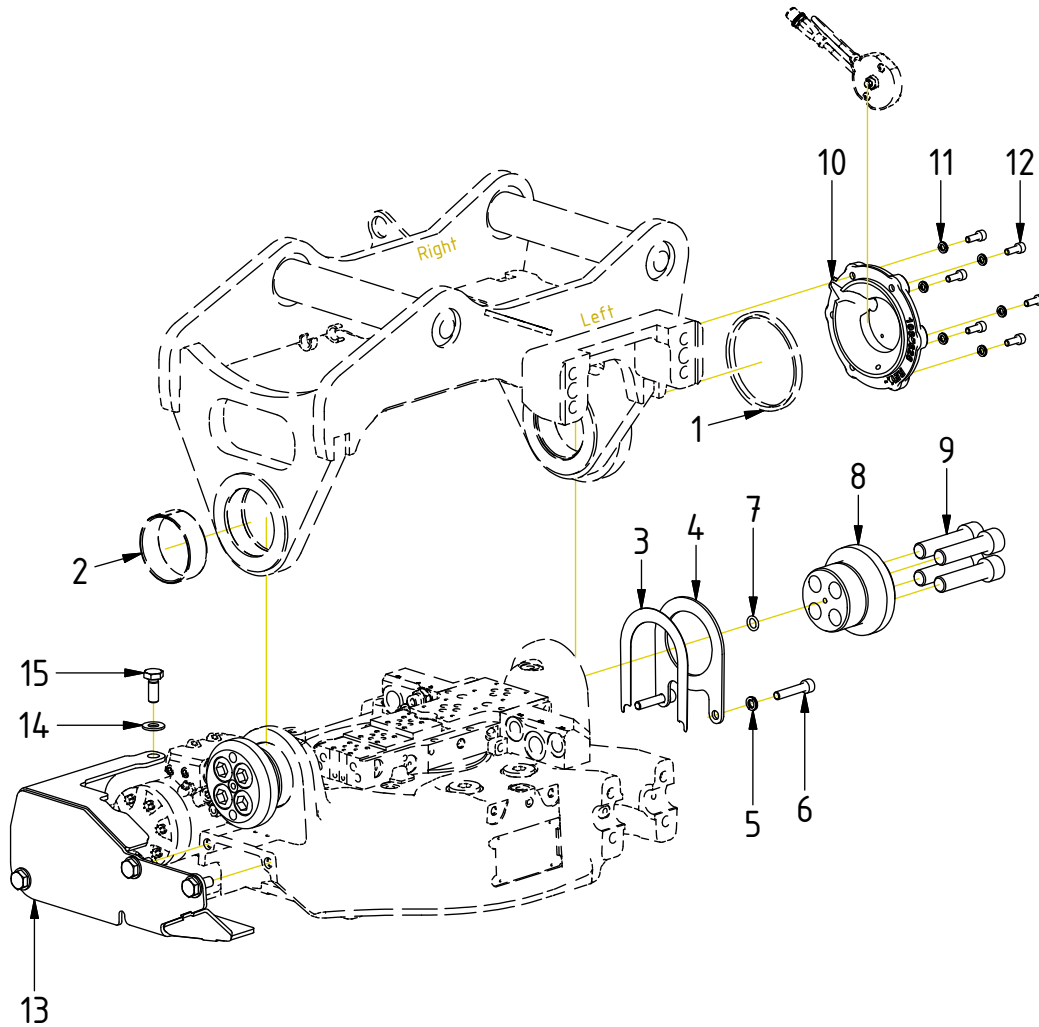
 Represents Hose.

Dashed lines for overview, mounts
on other pages/assemblies.

EC206B - Std. Top components

POS	DESCRIPTION	PART	QTY	COMMENTS
1	SEAL SKF PAK 90x100x7-L	1063597	1	NB! Face groove toward top part (Incl. in Top part)
2	Bushing $\varnothing 65/70 \times 25$	630322	2	(Incl. in Top part)
3	Shims tilt axle	1016499	1	Use as required
4	Tilt axial washer	1016461	1	
5	Washer NL 8mm	611040	10	QTY: 8 part of Tilt cylinder
6	Screw MC6S M8x40 12.9 ZFSL	6000145	2	
7	O-ring 9,92x2,62	710968	3	
8	Tilt axle EC206B	1062499	2	
9	Screw MC6S M16x65 12.9 ZFSL	6000170	8	Torque: 333Nm
10	Cover Tilt Axle EC206B Cast	1065626	1	
11	Washer NL 6mm	611039	6	
12	Screw MC6S M6x16 12.9 ZFSL	6000017	6	
13	Motor & lubrication cover EC206B	1068400	1	
14	Washer BRB 10,5x22x2 200 HV FZB	611006	4	
15	Screw M6S M10x25 8,8 FZB	610142	4	

EC206BS:
Exploded view
ePS2 Sensors

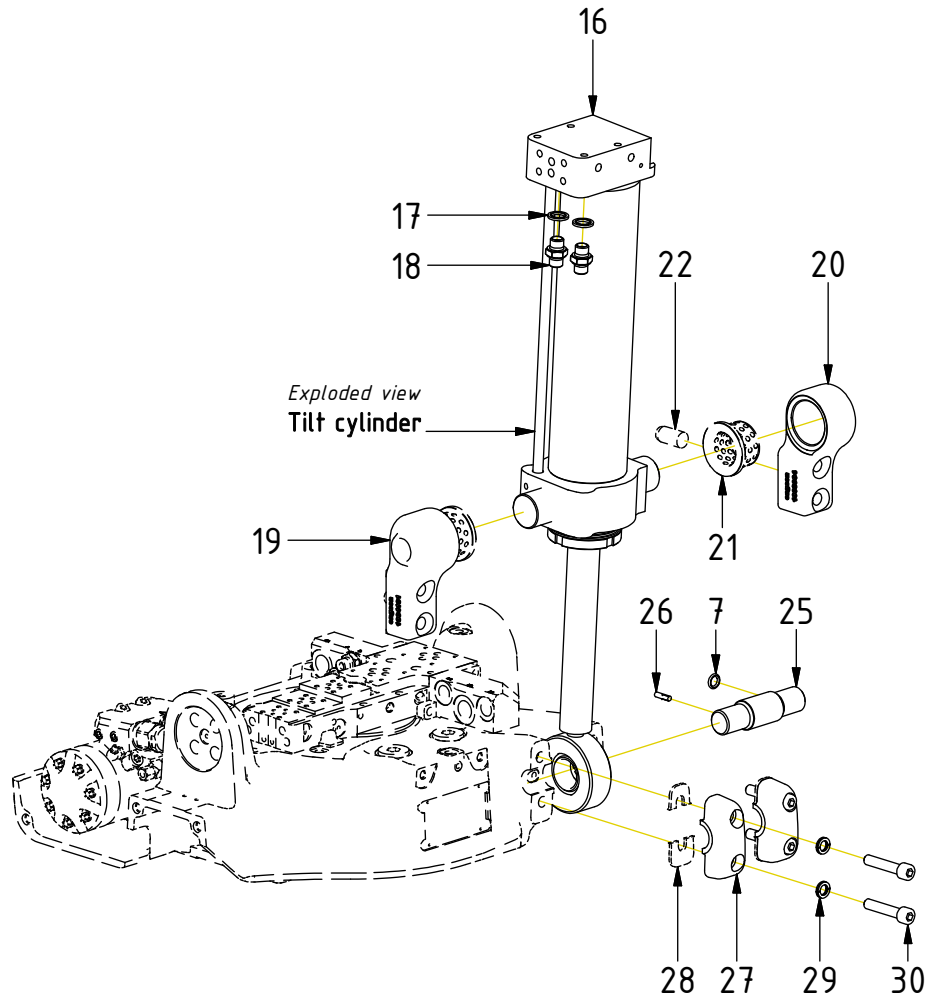


POS in order of assembly

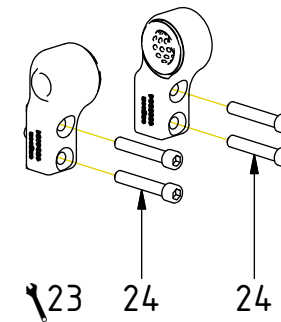
EC206B - Std. Top components

POS in order of assembly

POS	DESCRIPTION	PART	QTY	COMMENTS
7	O-ring 9,92x2,62	710968	3	
16	Tilt cylinder EC206B	1066135	1	
17	Washer GBR04 1/4	710702	4	
18	Adapter 138-04-29 (1/4")	710135	2	
19	Yoke EC206 Front Complete	1023824	1	(POS.21-22 incl.)
20	Yoke EC206 Rear Complete	1023823	1	(POS.21-22 incl.)
21	Bushing 35/45/55/5x30	631003	2	
22	Cylindrical pin CPK \varnothing 16x36 m6	650215	2	
23	For UNI			See "Top part"
24	Screw MC6S M12x70 12.9 Geomet	611517	4	Torque: 136Nm
25	Cylinder axle \varnothing 30	1016458	1	
26	Slotted pin 5x20	640413	1	
27	Clamping half Complete	1022942	2	(POS.28 incl.)
28	Rubber spacer clamping half	1016465	2	
29	Washer NL 10mm	611041	4	
30	Screw MC6S M10x50 12.9 ZFSL	611515	4	Torque: 79Nm



Std fasteners

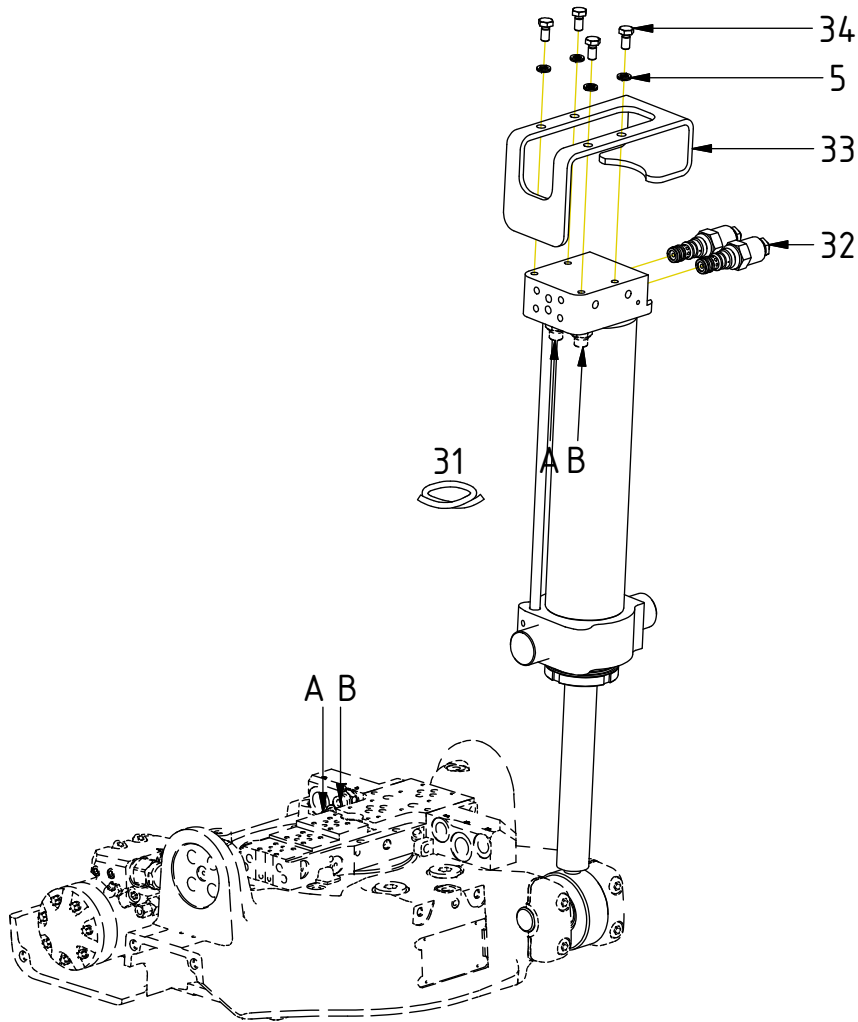


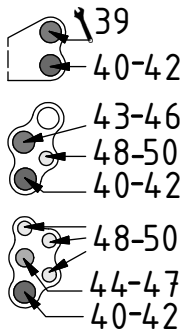
EC206B - Std. Top components

TILT

POS	DESCRIPTION	PART	QTY	COMMENTS
5	Washer NL 8mm	611040	10	QTY: 8 part of Tilt cylinder
31	Hose Tilt	7001694	2	
32	Overcentre valve 10:1	730269	2	Torque: 45Nm
33	Hose protection Tiltcylinder	1003774	1	
34	Screw M6S M8x16 8,8 FZB	610122	4	

POS in order of assembly

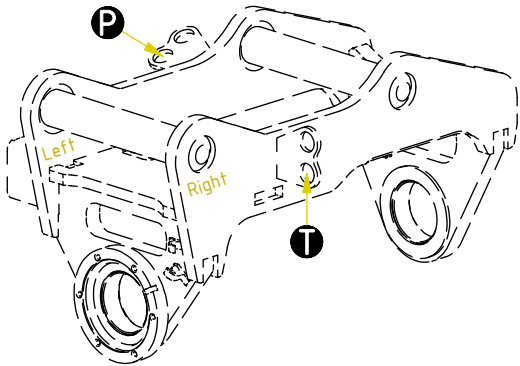




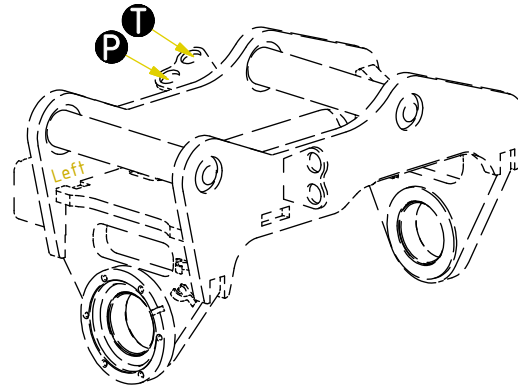
FEED

POS	DESCRIPTION	PART	QTY	COMMENTS
35	For EC-Oil			See "Top part" QS
36	For Feed Hoses			See "Control system"
37	Terminal plate 3x1/2", 1x1/4"	1070853	2	
38	Terminal plate 1/2", 3/8", 3x1/4"	1070854	2	
39	DC2: Use POS.40-42 ss9: Use POS.43-46			
40	Washer NL 20mm	611098	2	
41	Adapter 1260-08-45 (1/2")	710263	2	
42	Counternut 1270-08 (1/2")	710254	2	
43	Washer NL16sp 17,0x30,7x3,4	6000395	2	
44	O-ring		2	
45	Adapter 1260-06-43 (3/8")	710262	2	
46	Counternut 1270-06 (3/8")	710252	2	
47	Washer NL 16mm	611044	2	
48	Washer NL 1/2"	611096	2	QTY: 6 for ss0
49	Adapter 1260-04-04 (1/4")	710240	2	QTY: 6 for ss0
50	Counternut 1270-04 (1/4")	710250	2	QTY: 6 for ss0

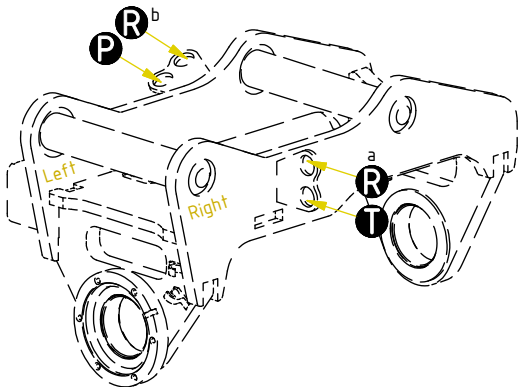
DC2



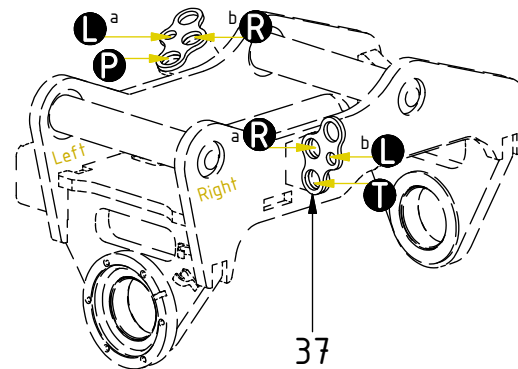
DC2 Feed Left



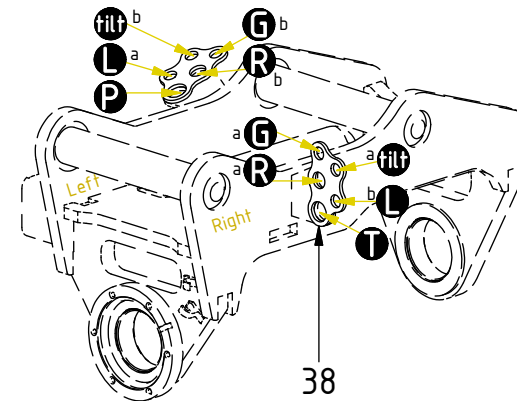
ss9IQ



ss9SQ



ss0



TILT

POS	DESCRIPTION	PART	QTY	COMMENTS
31	Hose Tilt	7001694	2	

POS in order of assembly



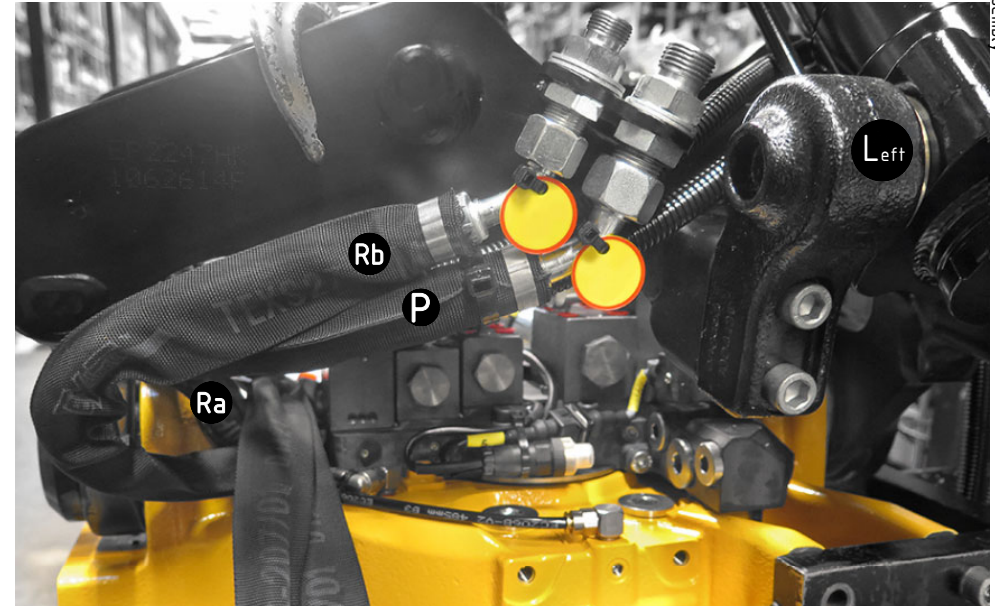
FEED

DC2:

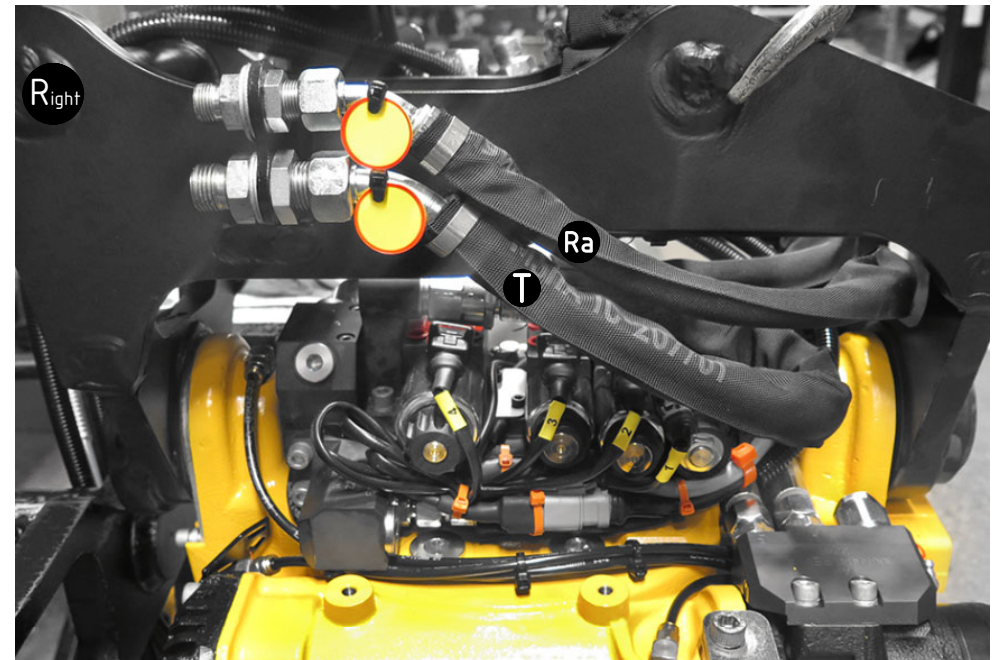
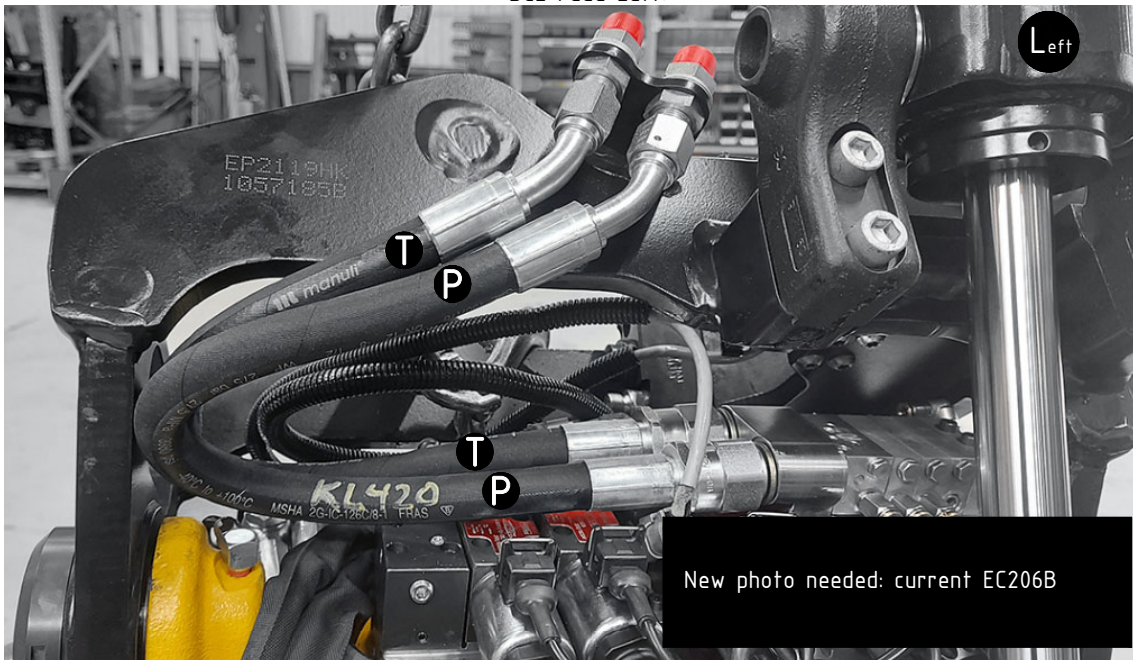
POS	DESCRIPTION	PART	QTY	COMMENTS
35	For EC-Oil			See "Top part" QS
36	For Feed Hoses			See "Control system"

Photo needed: P & T Right+Left

ss91Q:



DC2 Feed Left:

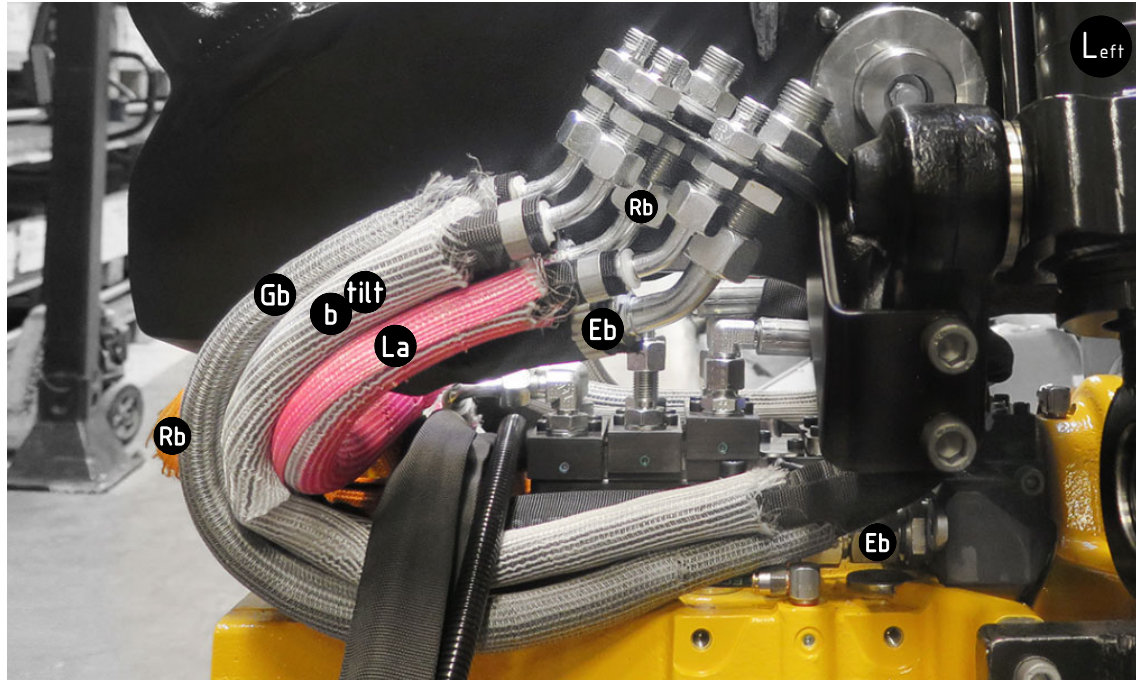


POS in order of assembly

FEED

ss0:

POS	DESCRIPTION	PART	QTY	COMMENTS
36	For Feed Hoses			See "Control system"



ss9SQ:

Photo needed: Seen from Left (P, Rb, La)

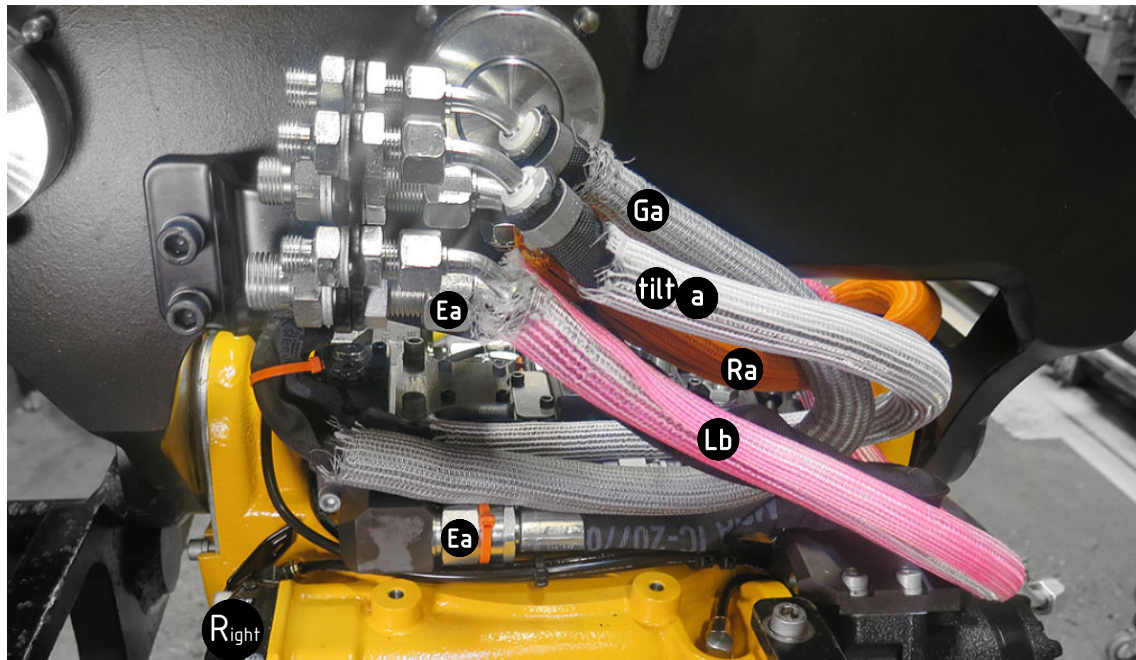


Photo needed: Seen from Right (T, Ra, Lb)