

COVERSHEET



Planned document changes:

Briefly:

POS.21 glue instructions:
Loxeal 83-52 for black steering,
Loxeal 53-11 for stainless steering.

Document changes:

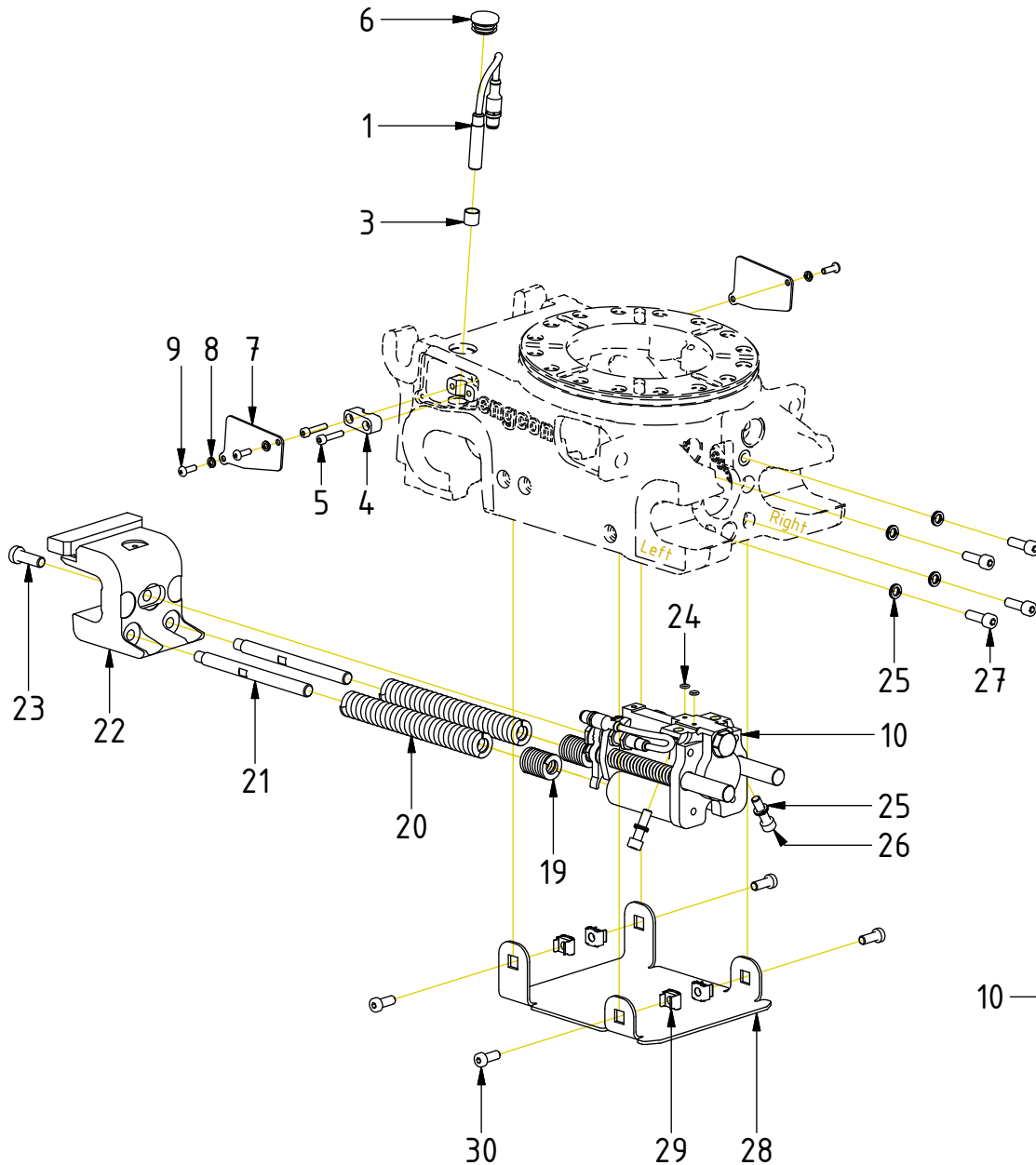
Date:	Change:	Rev. after change:
2024-04-12	Cover plug corrected.	B
2022-08-11	Lock cylinder Complete added. Short springs added.	A
2022-05-16	New document.	-

Readers note: Indicates instruction. Represents Hose.

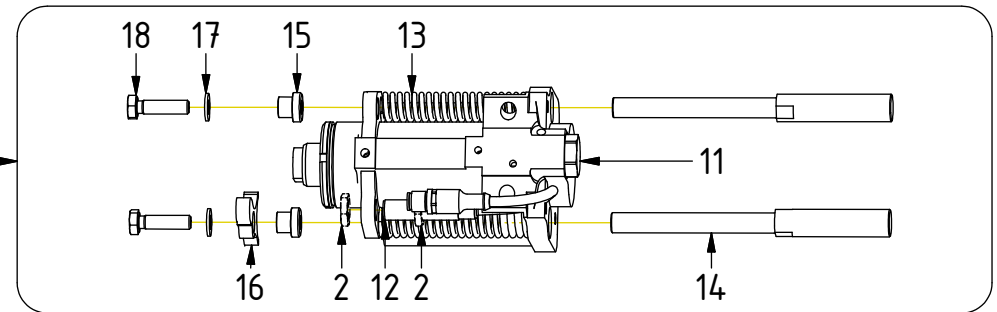
Dashed lines for overview, mounts
on other pages/assemblies.

Std. Hitch components - QSM40

EC204B, EC206B



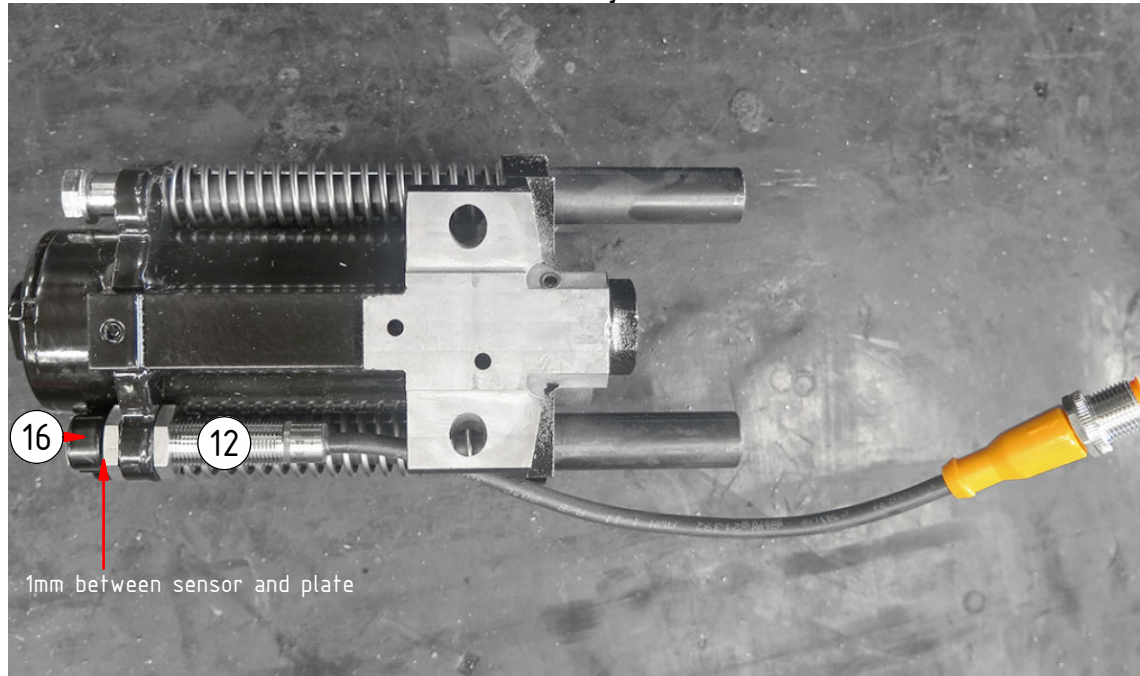
POS	DESCRIPTION	PART	QTY	COMMENTS
1	Inductive sensor QSM (hook)	8001527	1	Connect to slip ring QSM
2	Hex nut		1	(Incl. with sensors)
3	Protection lid, inductive sensor	8000056	1	
4	Clamp half M12 sensor	1065219	2	
5	Screw MC6S M5x25 12.9	610402	2	
6	Cover plug GL26	1068462	1	
7	Small cover plate QSM40	1063796	2	
8	Washer NL 5mm	611038	4	
9	Screw K6S M5x16 10.9 FZB	611818	4	
10	Lock cylinder QSM40 Compl. QSC	1068367	1	(POS.11-18 incl.)
11	Lock cylinder QSM40	1063791	1	
12	Inductive sensor QSM (cylinder)	1048262	1	Connect to slip ring QSM
13	Spring 16x104	1024020	2	
14	Ejector	1055938	2	
15	Spacer	1056860	2	
16	Sensor plate	1056857	1	Assemble with slight play
17	Flat Washer	611005	2	
18	Screw M6S M8x30 8,8 FZB	611538	2	Loxéal 83-52
19	Spring 25x32	1025483	2	
20	Spring 25/12,5-178	640112	2	
21	Steering	1056869	2	Loxéal 53-11
22	Hook QSM40	1065434	1	
23	Screw MLC6S M10x30 10.9	610712	1	Loxéal 83-52
24	O-ring 5,28x1,78	7001568	2	
25	Washer NL 8mm	611040	6	
26	Screw MC6S M8x30 12.9 ZFSHL	611519	2	Torque: 40Nm
27	Screw MC6S M8x25 12.9 ZFSHL	6000143	4	Torque: 40Nm
28	Cover plate QSM40	1064036	1	No cover plate for EC-Oil
29	Cage Nut M8 C	610959	4	
30	Screw MLC6S M8x20 8,8 FZB	610711	4	Loxéal 83-52



POS in order of assembly

Sensor Cylinder

EC204B, EC206B

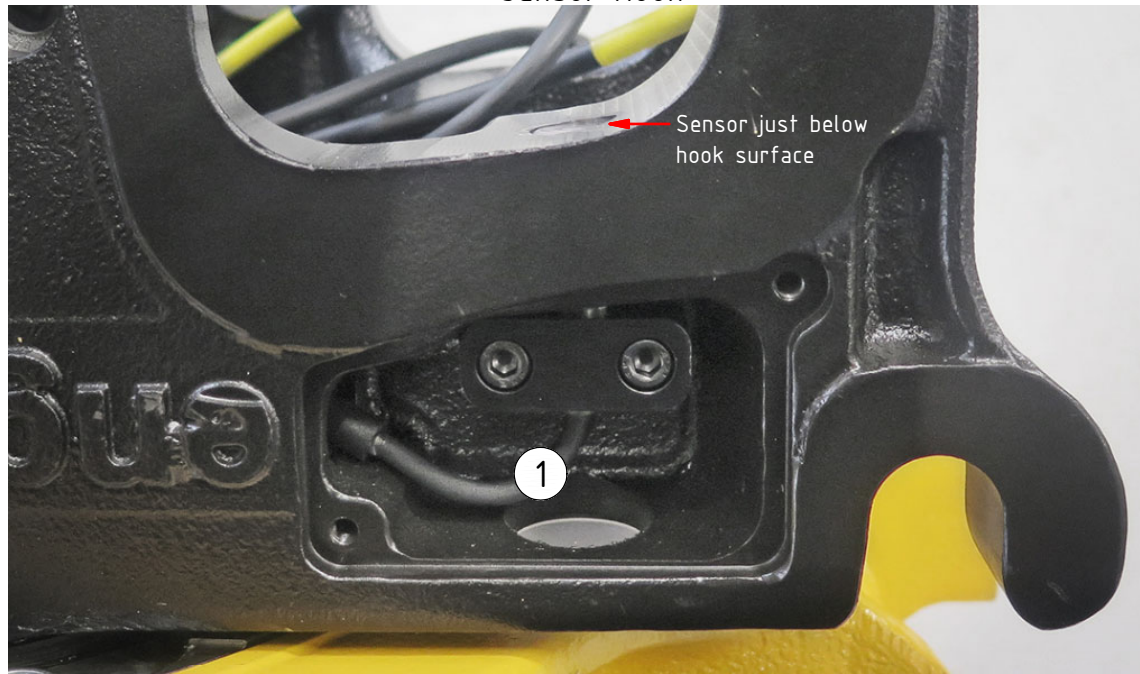


1mm between sensor and plate

POS	DESCRIPTION	PART	QTY	COMMENTS
1	Inductive sensor QSM (hook)	8001527	1	Connect to slip ring QSM
12	Inductive sensor QSM (cylinder)	1048262	1	Connect to slip ring QSM
16	Sensor plate	1056857	1	Assemble with slight play
31	Cable from slip ring (Ejector)		1	
32	Cable from slip ring (Hook)		1	
●	Use cable ties			

POS in order of assembly

Sensor Hook



Sensor just below hook surface

Sensor Cables

