


Planned document changes:

Briefly:

No planned changes.

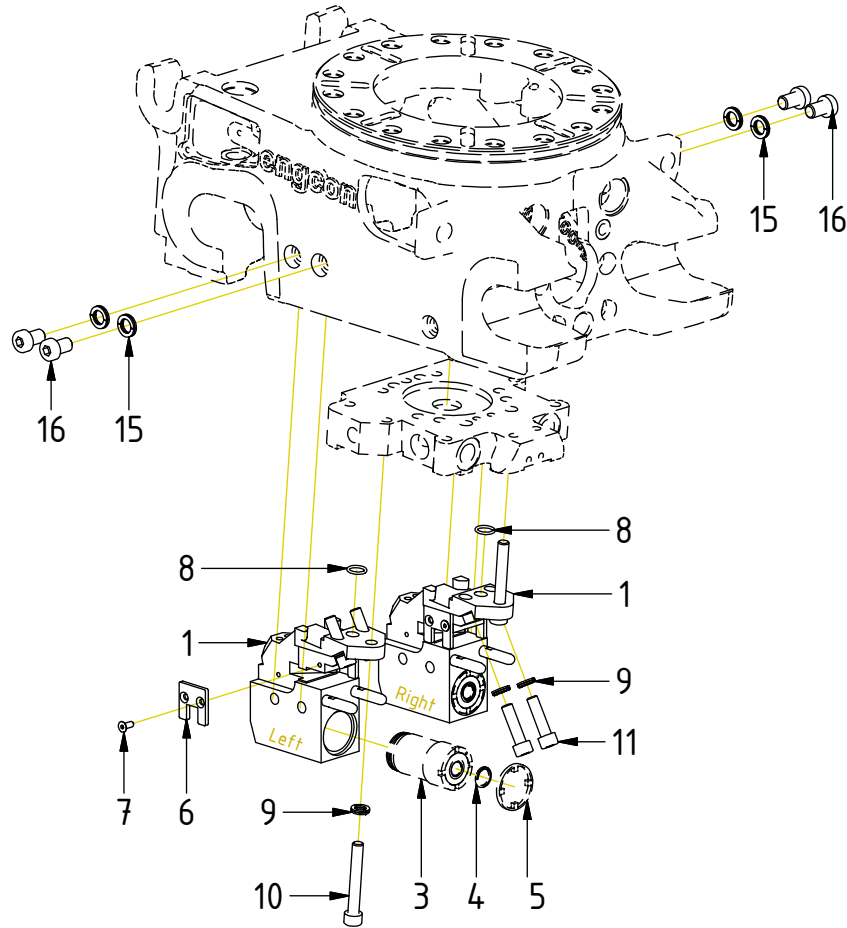
Document changes:

Date:	Change:	Rev. after change:
2024-04-17	ECO block updated.	B
2023-08-22	Details for option el. added.	A
2022-03-29	New document.	-

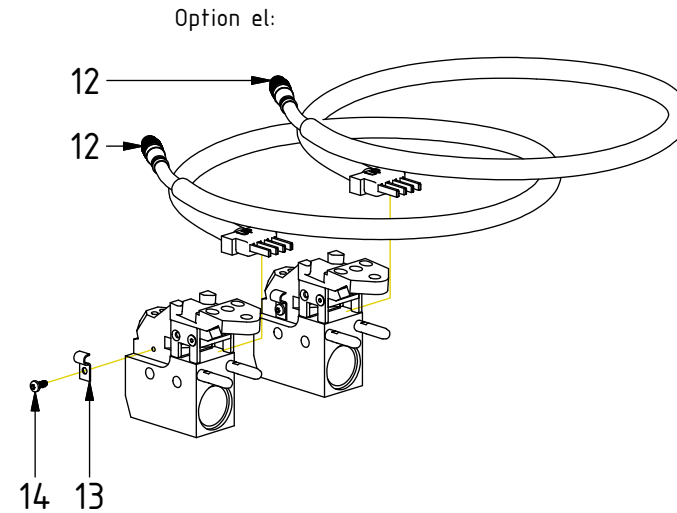
Readers note: Indicates instruction. Represents Hose.

Dashed lines for overview, mounts
on other pages/assemblies.

QSM40



POS	DESCRIPTION	PART	QTY	COMMENTS
1	Block ECO40W H QSM 1hy. Compl. V2	1077496	2	(POS.2-3, 5 incl.)
2	Block ECO40 W Hitch QSM V2	1077495	2	
3	Coupling ECO 3/8" female V3	1053029	2	Torque: 60Nm. (POS.4 incl.)
4	Flat seal for ECO 3/8" V3	1052976	2	
5	Dirt protection block ECO 3/8"	1028274	2	
6	Fastening plate Power plug QSM40	1064337	4	
7	Screw MF6S M4x10 10.9 untreatad	610605	4	
8	O-ring 10,82 x 1,78 nbr 70 shore	7001171	2	
9	Washer NL 8mm	611040	6	
10	Screw MC6S M8x55 12.9	610588	2	Torque: 40Nm
11	Screw MC6S M8x30 12.9 ZFSHL	611519	4	Torque: 40Nm
12	Power plug ECO40 W 4P	8001822	2	Connect to slip ring QSM
13	Cable Clamp ø6mm. DIN 72571	6000385	2	
14	Screw MRT 4x10	6000116	2	Loxal 55-02
15	Washer NL 10mm	611041	4	
16	Screw MLC6S M10x16 10.9 FZB	6000326	4	



POS in order of assembly