

COVERSHEET

Planned document changes:

Briefly:

No planned changes.

Document changes:

Date:	Change:	Rev. after change:
2024-03-18	Details for Tilt block added.	D
2023-04-06	ss9/ss0 motor hoses added (Rotation).	C
2023-01-11	Photos added.	B
2022-11-07	New document.	A
2022-05-17	Pre-series draft.	-

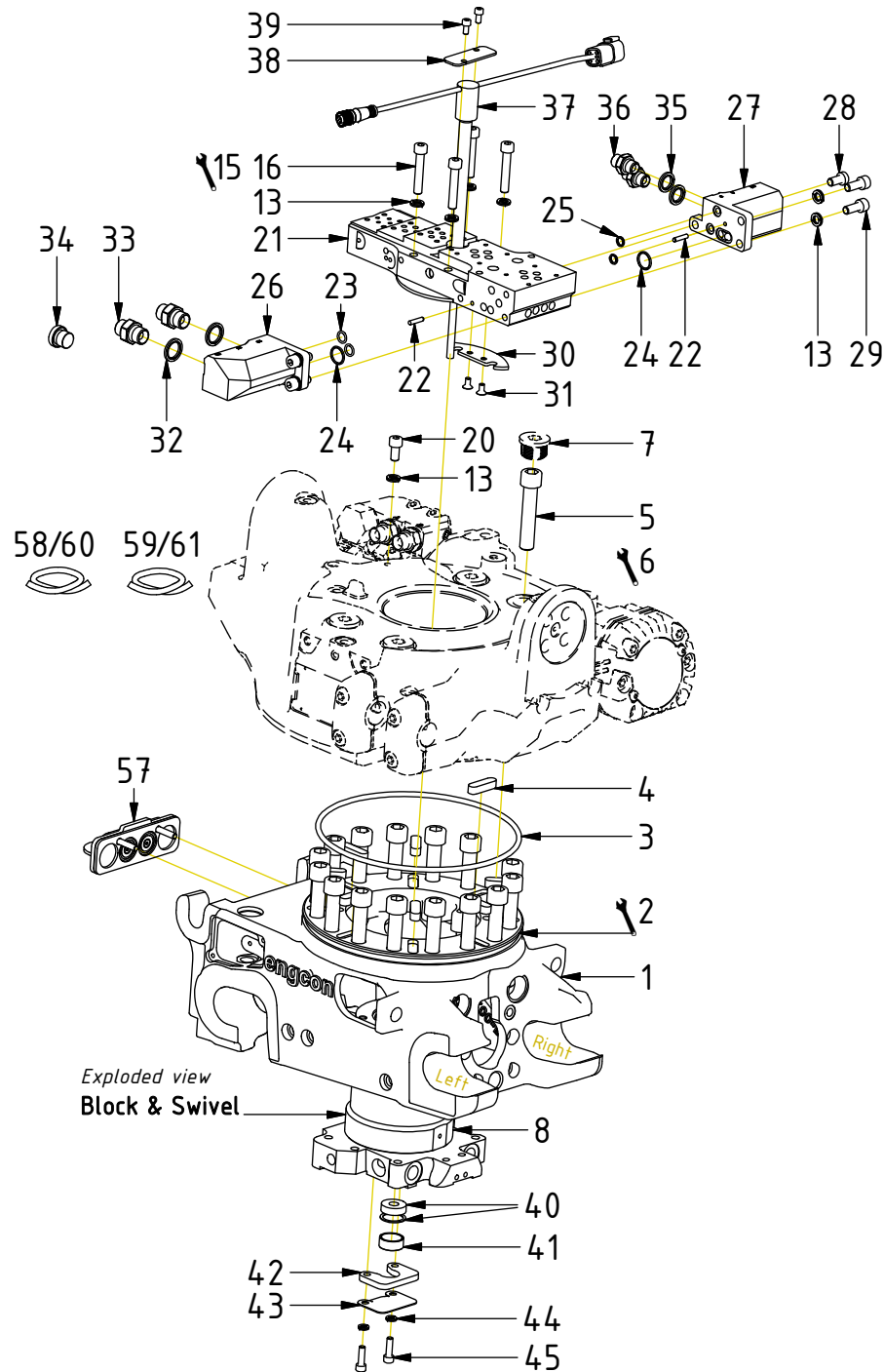
Readers note:

Indicates instruction.



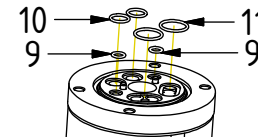
Represents Hose.

Dashed lines for overview, mounts
on other pages/assemblies.

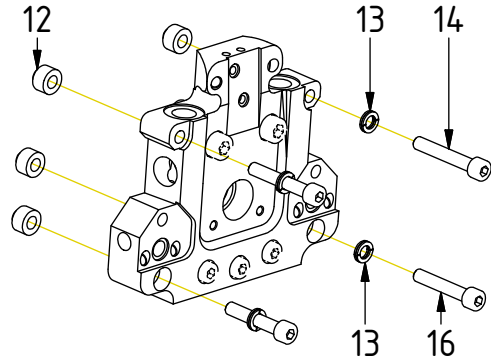


POS	DESCRIPTION	PART	QTY	COMMENTS
1	Quick hitch QSM40 EC206B	1056701	1	
2	Grease the ring			
3	O-ring 200x5 NBR70	7001665	1	
4	Feather Key 10x8x36	6000370	8	
5	Screw MC6S M14x70 12.9	6000172	16	Torque: 217Nm
6	Torque tighten rotator frame to hitch. Rotate to access all holes			
7	Pipe plug M26x1,5Din 908 FZB	650409	4	Part of rotator frame assy.
8	Connect. block & swivel QSM Compl.	1065363	1	
9	O-ring 6,1x1,6	710954	2	
10	O-ring 10,82 x 1,78	7001171	2	QTY: 4 without EC-Oil
11	O-ring 17.17x1.78 NBR/70	710977	2	
13	Washer NL 8mm	611040	13	QTY: 19 without EC-Oil
15	Tighten these POS.16 in crosspattern			
16	Screw MC6S M8x45 12.9	610438	6	Torque: 40Nm
20	Screw MC6S M8x16 12.9 ZFSHL	610432	1	
21	Valve block QSM40	1063695	1	
22	Dowel pin CPK 4x20 m6	6000336	2	
23	O-ring 9,25x1,78	712429	2	
24	O-ring 15,6x1,78	710912	2	
25	O-ring 7,65x1,78	710960	2	
26	Rotation block QSM40	1063696	1	
27	Tilt block QSM40	1063635	1	
28	Screw MLC6S M8x16 10.9 FZB	6000220	2	
29	Screw MC6S M8x20 12.9 ZFSHL	6000157	4	
30	Plate	1063795	2	
31	Screw MF6S M5x10H 10.9 FZB	610602	4	
32	Washer GBR06 3/8	710703	6	QTY depends on config. (4-6)
33	Adapter 136-06-06 (3/8")	710106	2	For DC2
34	Plug 70125-06 (3/8")	711504	2	For ss9, ss0
36	Adapter 138-04-29 (1/4")	710135	2	
37	Slip ring QSM40 M12	8001519	1	Mount with marine silicone
38	Cover plate slip ring	1064305	1	
39	Screw MC6S M5x10 12.9	610594	2	
40	Rubber bushing	1046691	1	Use the outer ring. Washer down
41	Ring slip ring QSM	1046692	1	
42	Plate cable steering QSM	1066142	1	
43	Plate Steering cable Slip ring	1066144	1	
44	Washer NL 6mm	611039	2	
45	Screw MC6S M6x20 8,8 FZB	610310	2	
57	Cover plate QSM40 magnet	1064311	1	
58	Hose hydraulic motor a (DC2)	7001690	1	
59	Hose hydraulic motor b (DC2)	7001691	1	
60	Hose Rotation a (ss9, ss0)	7001669	1	
61	Hose Rotation b (ss9, ss0)	7001670	1	

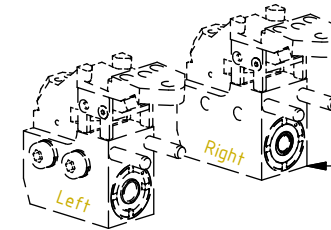
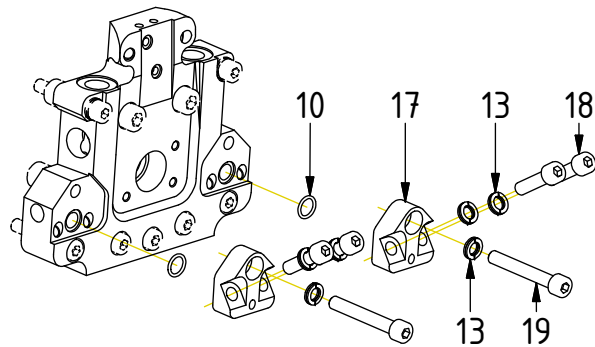
Between swivel & valve block:



POS	DESCRIPTION	PART	QTY	COMMENTS
10	O-ring 10,82 x 1,78	7001171	2	QTY: 4 without EC-Oil
12	Spacer QSM40	1063811	6	
13	Washer NL 8mm	611040	13	QTY: 19 without EC-Oil
14	Screw MC6S M8x50 12.9	610439	2	Torque: 40Nm
16	Screw MC6S M8x45 12.9	610438	6	Torque: 40Nm
17	Cover plate QSM40	1063797	2	
18	Screw MC6S M8x30 12.9 ZFSL	611519	4	Torque: 40Nm
19	Screw MC6S M8x55 12.9	610588	2	Torque: 40Nm



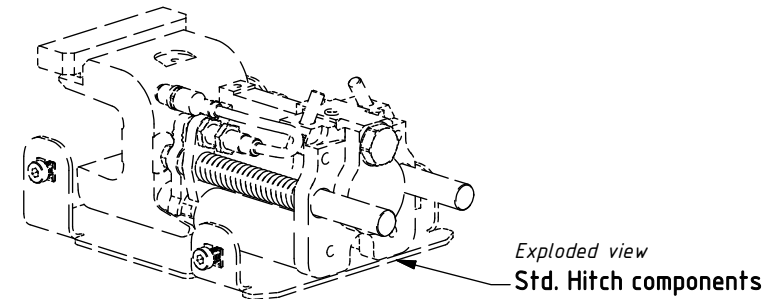
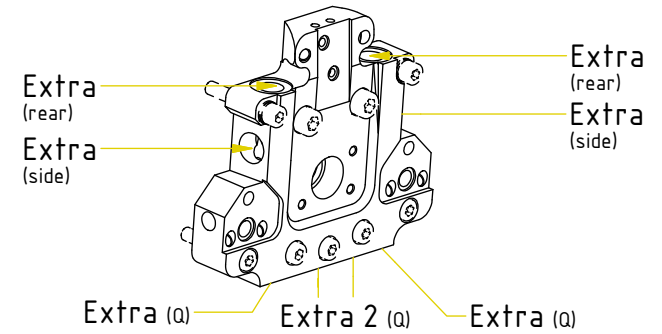
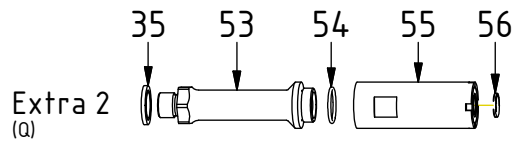
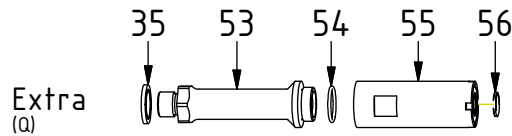
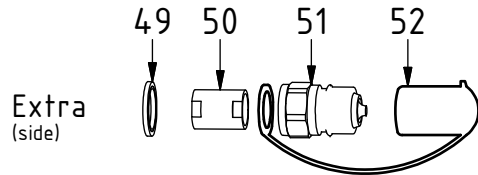
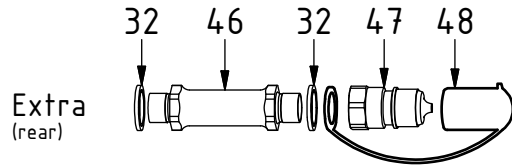
Without EC-Oil



Exploded view
EC-Oil components

POS in order of assembly

POS	DESCRIPTION	PART	QTY	COMMENTS
32	Washer GBR06 3/8	710703	6	QTY depends on config. (4-6)
35	Washer GBR04 1/4	710702	6	
46	Adapter extension 3/8" QSM40	1058386	2	
47	Quick coupling 3/8"	790113	2	
48	Dust protection 3/8"	790120	2	
49	Washer GBR08 1/2	710704	2	
50	Adapter pipe 1/2"	1065228	2	
51	Quick coupling 1/2"	790115	2	
52	Dust Protection 1/2"	790121	2	
53	Adapter extension QSM40	1056533	4	
54	O-ring 16,1x1,6	7001572	4	
55	Coupling ECO QSM 1/4" female	1063731	4	Loxeal 83-52. (POS.56 included)
56	Flat sealing for ECO 1/4" V3	1053936	4	



POS	DESCRIPTION	PART	QTY	COMMENTS
58	Hose hydraulic motor a (DC2)	7001690	1	
59	Hose hydraulic motor b (DC2)	7001691	1	
60	Hose Rotation a (ss9, ss0)	7001669	1	
61	Hose Rotation b (ss9, ss0)	7001670	1	

