

COVERSHEET

Planned document changes:


Briefly:


No planned changes.

Document changes:

Date:	Change:	Rev. after change:
2023-09-08	Hose kit discontinued.	B
2022-11-03	New document.	A
2022-05-17	Pre-series draft.	-

Readers note:

 Indicates instruction.

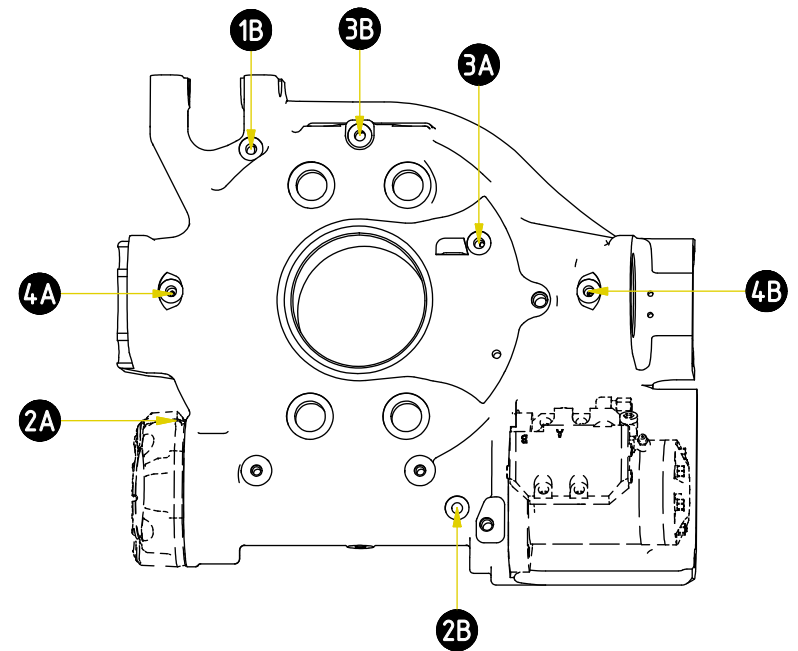
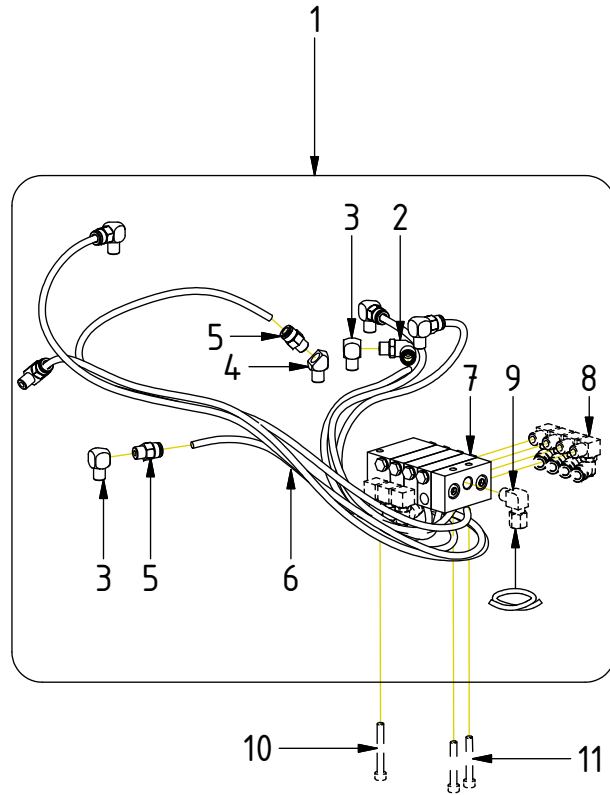
 Represents Hose.

Dashed lines for overview, mounts
on other pages/assemblies.

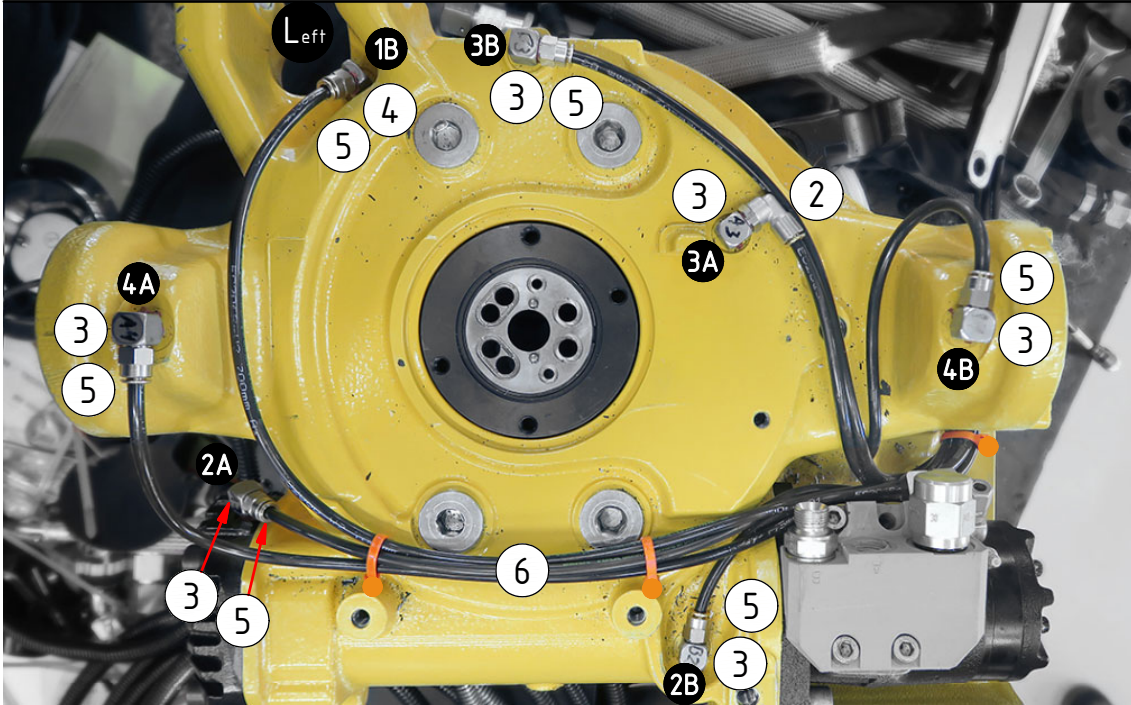
EC206B - Central lubrication

POS	DESCRIPTION	PART	QTY	COMMENTS
1	Lubrication kit EC206B V2 Compl.	7001722	1	(POS.2-7 & hose incl.)
2	Adapter 90° Push-in - swivel	790184	1	
3	Adapter 90° R1/8"	710199	6	
4	Adapter 45° R1/8"	712215	1	
5	Push-in koppl EC209 R1/8"	790172	6	
6	Hose central lubrication bulk	7000784	1	
7	Dosing block MX-F 4/7 EC206B V2	1068332	1	(POS.8-9 incl.)
8	Adapter 90° M10x1	790190	7	
9	Angular coupl 90° 1/8 w cuttingring	7001720	1	
10	Screw MC6S M5x40 12.9	610405	1	Part of rotator frame
11	Screw MC6S M5x35 12.9	610404	2	Part of rotator frame

POS in order of assembly



EC206B - Central lubrication



POS	DESCRIPTION	PART	QTY	COMMENTS
1	Lubrication kit EC206B V2 Compl.	7001722	1	(POS.2-7 & hose incl.)
2	Adapter 90° Push-in - swivel	790184	1	
3	Adapter 90° R1/8"	710199	6	
4	Adapter 45° R1/8"	712215	1	
5	Push-in koppl EC209 R1/8"	790172	6	
6	Hose central lubrication bulk	7000784	1	
●	Use cable ties			

POS in order of assembly

