

COVERSHEET

Planned document changes:

Briefly:

No planned changes.

Document changes:

| Date: | Change: | Rev. after change: |
|--------------|-----------------------------|-------------------------------|
| 2024-05-16 | Seal in end lock added. | E |
| 2024-03-15 | Relief valve updated. | D |
| 2023-04-12 | Descriptions corrected. | C |
| 2022-11-11 | O-ring against motor added. | B |
| 2022-11-02 | New document. | A |
| 2022-05-17 | Pre-series draft. | - |

Readers note:

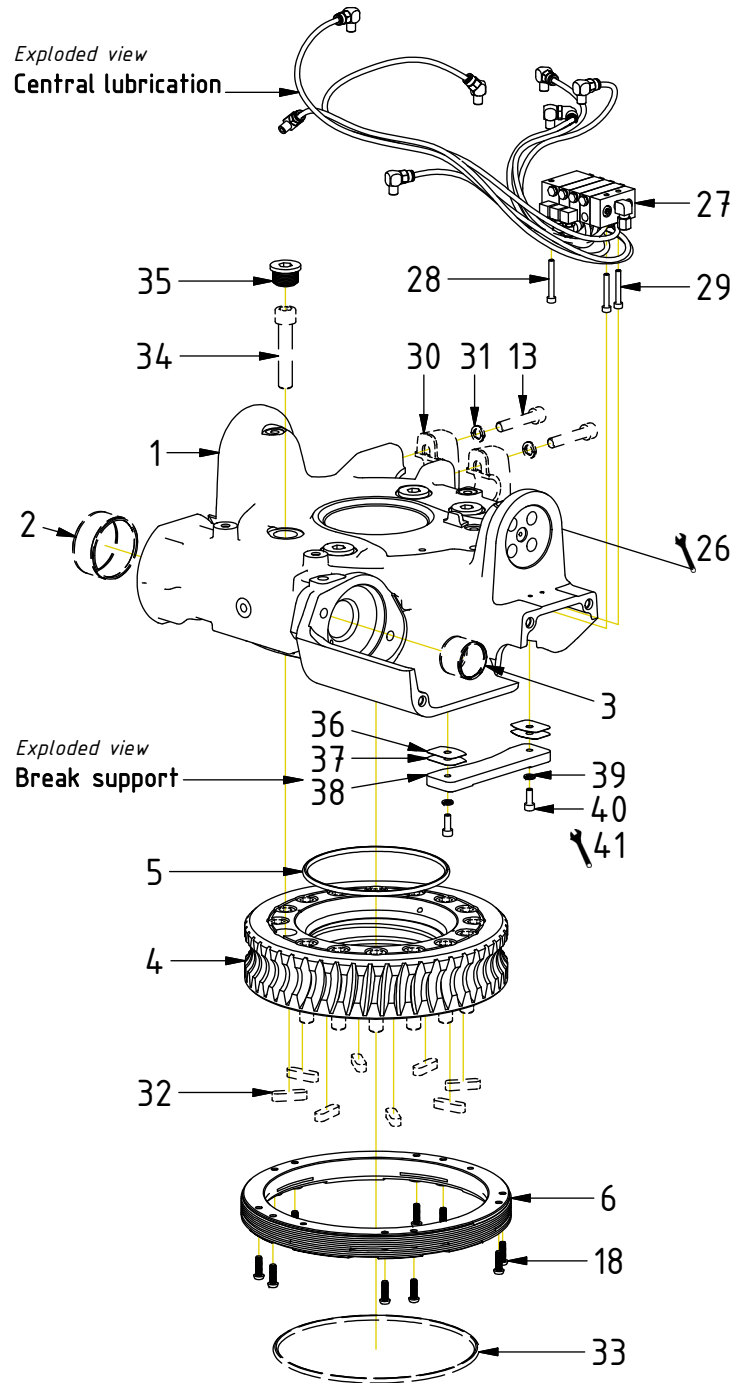
Indicates instruction.



Represents Hose.

Dashed lines for overview, mounts
on other pages/assemblies.

EC206B - Rotator frame



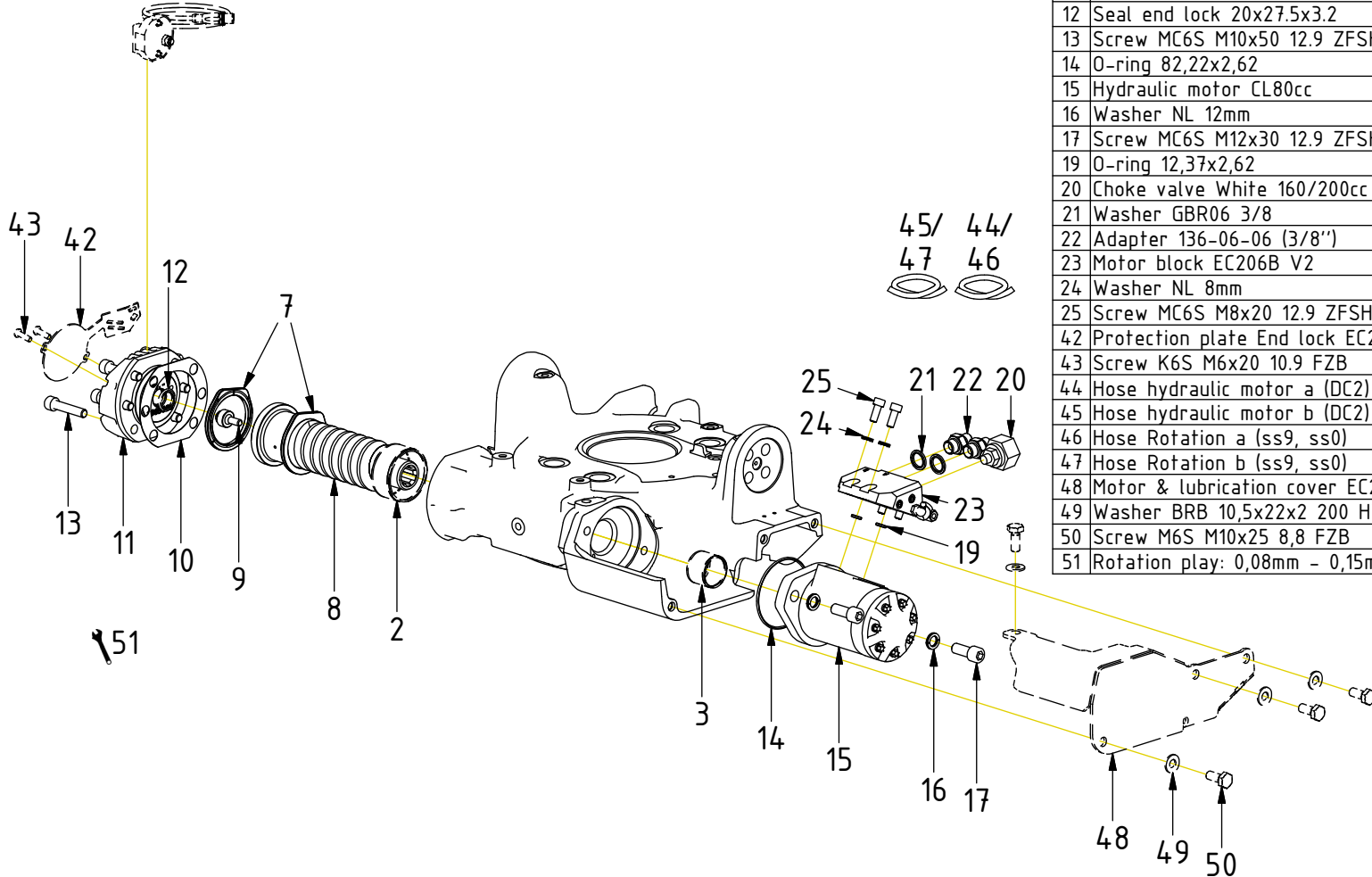
| POS | DESCRIPTION | PART | QTY | COMMENTS |
|-----|------------------------------------|---------|-----|--|
| 1 | Rotator frame EC206B V2 | 1068382 | 1 | (POS.2-3 incl.) |
| 2 | Bushing WB802 60/65x30 | 630305 | 2 | |
| 3 | Bushing WB802 35/39x30 | 630315 | 2 | |
| 4 | Worm wheel 16 holes | 1058962 | 1 | |
| 5 | O-ring 140x5 NBR90 | 7001666 | 1 | |
| 6 | Bearing ring | 1058920 | 1 | |
| 13 | Screw MC6S M10x50 12.9 ZFSHL | 611515 | 10 | Torque: 79Nm. QTY: 4 part of top |
| 18 | Screw TX-6x20 10.9 ISO7380 | 612202 | 10 | Torque: 14Nm Tighten in cross pattern |
| 26 | Punch serial no into rotator frame | | | |
| 27 | Lubrication kit complete EC206B | 7001722 | 1 | |
| 28 | Screw MC6S M5x40 12.9 | 610405 | 1 | |
| 29 | Screw MC6S M5x35 12.9 | 610404 | 2 | |
| 30 | Clamping half Complete | 1022942 | 2 | Part of top part |
| 31 | Washer NL 10mm | 611041 | 4 | Part of top part |
| 32 | Feather Key 10x8x36 | 6000370 | 8 | Part of quick hitch |
| 33 | O-ring 200x5 NBR70 | 7001665 | 1 | Part of quick hitch |
| 34 | Screw MC6S M14x70 12.9 | 6000172 | 16 | Part of quick hitch. Torque: 217Nm |
| 35 | Pipe plug M26x1,5Din 908 FZB | 650409 | 4 | |
| 36 | Supporting plate shim 0,3 mm | 1068368 | 2 | |
| 37 | Supporting plate shim 0,1 mm | 1068369 | 2 | |
| 38 | Supporting plate EC206B | 1068059 | 2 | |
| 39 | Washer NL 6mm | 611039 | 2 | |
| 40 | Screw MC6S M6x16 12.9 ZFSHL | 6000017 | 2 | |
| 41 | Break play: 0,5mm - 0,7mm | | | Assy. between frame & quick hitch |

POS in order of assembly

EC206B - Rotator frame

POS in order of assembly

EC206BS:
Exploded view
ePS2 Sensors



| POS | DESCRIPTION | PART | QTY | COMMENTS |
|-----|----------------------------------|---------|-----|------------------------------------|
| 2 | Bushing WB802 60/65x30 | 630305 | 2 | |
| 3 | Bushing WB802 35/39x30 | 630315 | 2 | |
| 7 | Axial Washer | 1065378 | 2 | Face groove toward worm screw |
| 8 | Worm screw | 1007329 | 1 | |
| 9 | Magnet spacer Worm screw | 1062693 | 1 | Loxeal 83-52. Torque: 20Nm |
| 10 | Shims kit End Lock 0,3-0,4-0,5mm | 1006356 | 1 | |
| 11 | End Lock Cast | 1065664 | 1 | (POS.12 incl.) |
| 12 | Seal end lock 20x27.5x3.2 | 1063616 | 1 | |
| 13 | Screw MC6S M10x50 12.9 ZFSHL | 611515 | 10 | Torque: 79Nm. QTY: 4 part of top |
| 14 | O-ring 82,22x2,62 | 7000920 | 1 | |
| 15 | Hydraulic motor CL80cc | 720128 | 1 | |
| 16 | Washer NL 12mm | 611042 | 2 | |
| 17 | Screw MC6S M12x30 12.9 ZFSHL | 6000142 | 2 | Torque: 136Nm |
| 19 | O-ring 12,37x2,62 | 710961 | 2 | |
| 20 | Choke valve White 160/200cc | 1044091 | 1 | |
| 21 | Washer GBR06 3/8 | 710703 | 2 | |
| 22 | Adapter 136-06-06 (3/8") | 710106 | 2 | |
| 23 | Motor block EC206B V2 | 1069560 | 1 | |
| 24 | Washer NL 8mm | 611040 | 4 | |
| 25 | Screw MC6S M8x20 12.9 ZFSHL | 6000157 | 4 | |
| 42 | Protection plate End lock EC206B | 1062673 | 1 | Part of controlsystem |
| 43 | Screw K6S M6x20 10.9 FZB | 6000339 | 2 | Part of controlsystem. Torque:79Nm |
| 44 | Hose hydraulic motor a (DC2) | 7001690 | 1 | Part of quick hitch assy. |
| 45 | Hose hydraulic motor b (DC2) | 7001691 | 1 | Part of quick hitch assy. |
| 46 | Hose Rotation a (ss9, ss0) | 7001669 | 1 | Part of quick hitch assy. |
| 47 | Hose Rotation b (ss9, ss0) | 7001670 | 1 | Part of quick hitch assy. |
| 48 | Motor & lubrication cover EC206B | 1068400 | 1 | Part of top part assy. |
| 49 | Washer BRB 10,5x22x2 200 HV FZB | 611006 | 4 | Part of top part assy. |
| 50 | Screw M6S M10x25 8,8 FZB | 610142 | 4 | Part of top part assy. |
| 51 | Rotation play: 0,08mm - 0,15mm | | | Note rotation play on module card |