

Planned document changes:

Briefly:

No planned changes.

Document changes:

Date:	Change:	Rev. after change:
2024-06-17	DC3 added, ECO blocks updated.	D
2023-01-25	New std.configurations from 2023. ECO70-block removed.	C
2022-08-25	Torques added.	B
2022-06-08	Layout/irrelevant.	A
2021-12-17	New document.	-

Readers note:

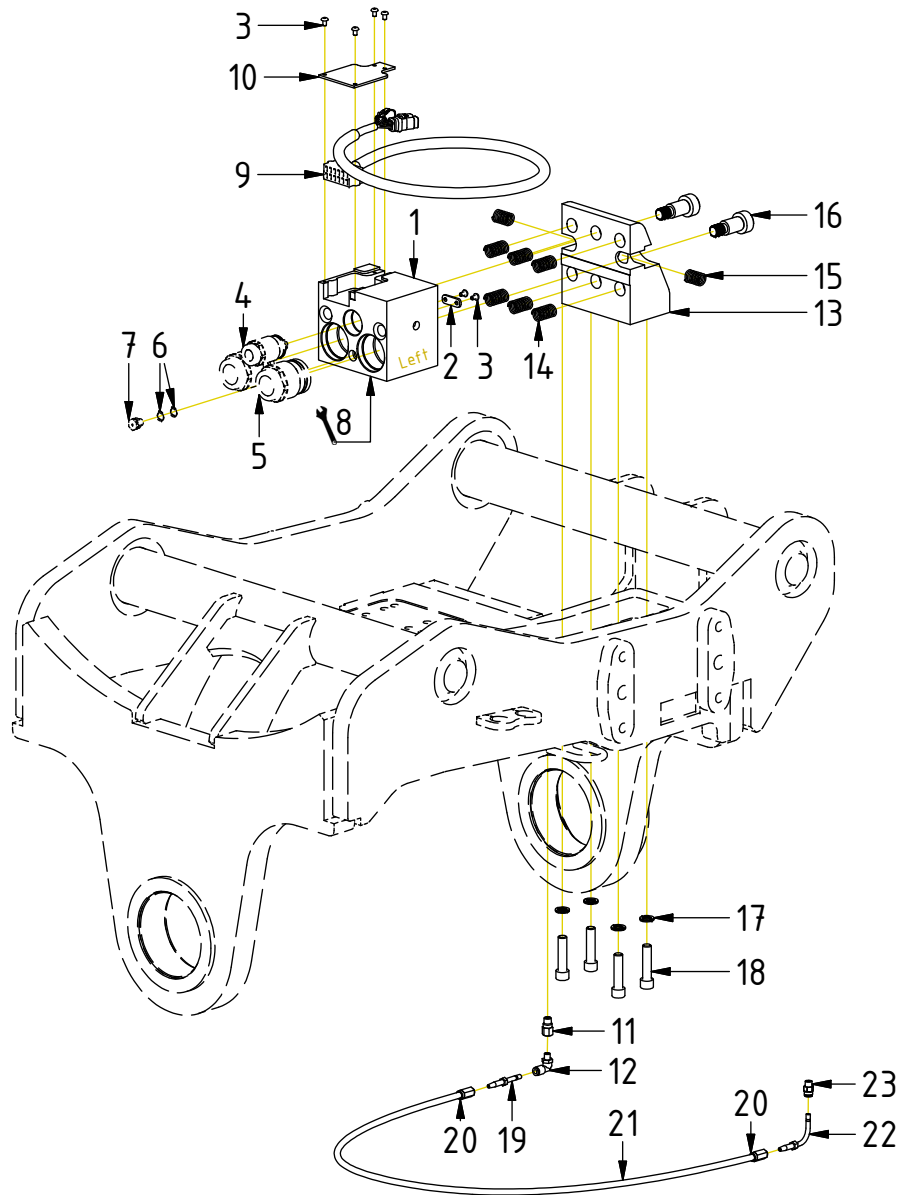
Indicates instruction.



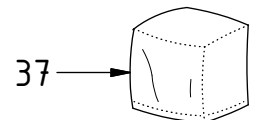
Represents Hose.

Dashed lines for overview, mounts
on other pages/assemblies.

QS80
DC3

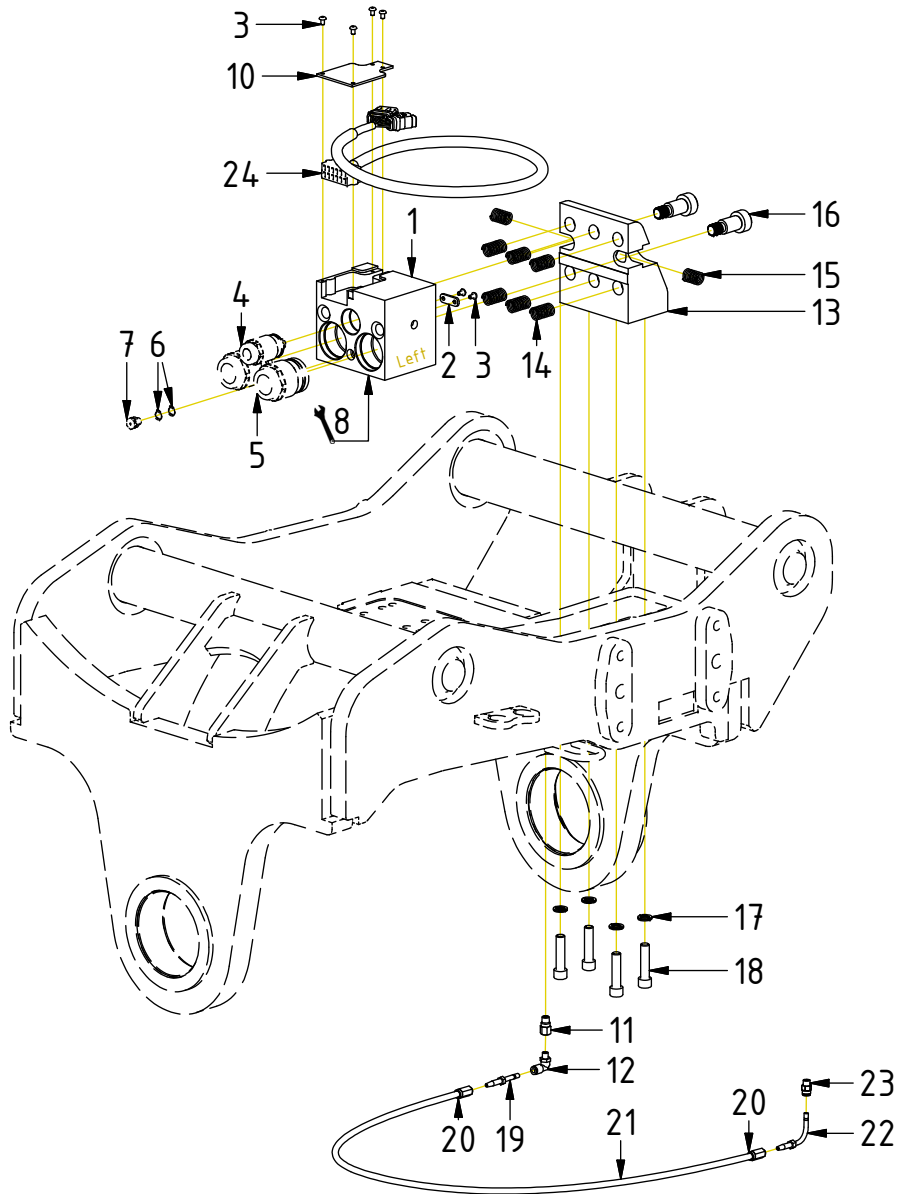


POS	DESCRIPTION	PART	QTY	COMMENTS
1	Block ECO80W Top 3hy.1cl. Compl. V2	1074035	1	(POS.4-7 incl.)
2	Cable clamp	1074897	2	
3	Screw K6S M5x8 10.9 FZB	611801	6	
4	Coupling ECO W 1/2" male	1027633	1	Torque: 60Nm
5	Coupling ECO W 1" male	1043099	2	Torque: 60Nm
6	Washer Copper 14x10	6000065	2	
7	Button head fitting 1/8" stainless	810505	1	Loxeal 58-12. Torque: 30Nm
8	Adapters according to Top part			See "Top part"
9	Power plug ECO80 W Top (4S, 6S)	8002179	1	Cable gland torque: 6Nm
10	Coverplate ECO70/80 W Top	1042239	1	
11	Extender M8x1-M8x1 18mm	7000688	1	Loxeal 58-12
12	Push-in swivel 90° M8x1	790173	1	Loxeal 58-12
13	Attachment block ECO80 W Top	1043644	1	
14	Spring 18x35	1024794	6	
15	Spring	6000125	2	
16	Shoulder bolt ø20x30/M16	611710	2	Loxeal 83-52
17	Washer NL 12mm	611042	4	
18	Screw MC6S M12x50 12.9	610478	4	Torque: 136Nm
19	Pipe stub straight Push-in	790175	1	
20	Screw socket HT-hose	7000585	2	
21	Grease hose bulk 100m	7001303	1	EC233: 1300mm. Top bracket: 2000mm
22	Pipe stub 90° Push-in	790181	1	
23	Push-in R1/8"	790172	1	Loxeal 58-12
37	Transport Protection ECO-Block	1052433	1	Part of make up

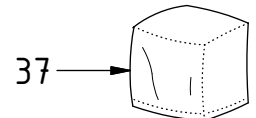


POS in order of assembly

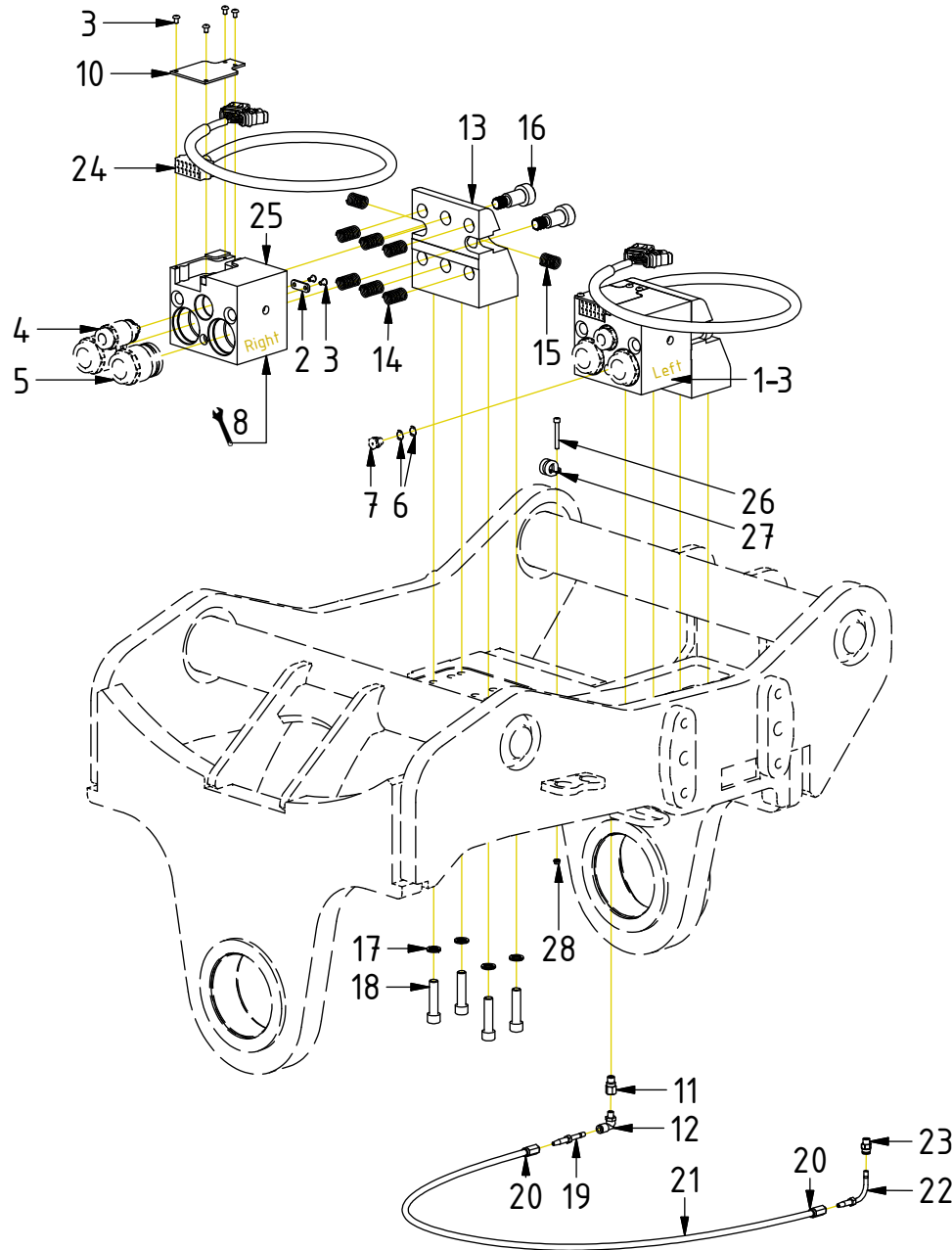
QS80
DC2 Std. config.



POS	DESCRIPTION	PART	QTY	COMMENTS
1	Block ECO80W Top 3hy.1cl. Compl. V2	1074035	1	(POS.4-7 incl.)
2	Cable clamp	1074897	2	
3	Screw K6S M5x8 10.9 FZB	611801	6	
4	Coupling ECO W 1/2" male	1027633	1	Torque: 60Nm
5	Coupling ECO W 1" male	1043099	2	Torque: 60Nm
6	Washer Copper 14x10	6000065	2	
7	Button head fitting 1/8" stainless	810505	1	Loxreal 58-12. Torque: 30Nm
8	Adapters according to Top part			See "Top part"
10	Coverplate ECO70/80 W Top	1042239	1	
11	Extender M8x1-M8x1 18mm	7000688	1	Loxreal 58-12
12	Push-in swivel 90° M8x1	790173	1	Loxreal 58-12
13	Attachment block ECO80 W Top	1043644	1	
14	Spring 18x35	1024794	6	
15	Spring	6000125	2	
16	Shoulder bolt \varnothing 20x30/M16	611710	2	Loxreal 83-52
17	Washer NL 12mm	611042	4	
18	Screw MC6S M12x50 12.9	610478	4	Torque: 136Nm
19	Pipe stub straight Push-in	790175	1	
20	Screw socket HT-hose	7000585	2	
21	Grease hose bulk 100m	7001303	1	EC233: 1300mm. Top bracket: 2000mm
22	Pipe stub 90° Push-in	790181	1	
23	Push-in R1/8"	790172	1	Loxreal 58-12
24	Power plug ECO W Top (12S, 6S)	8001211	1	Cable gland torque: 6Nm
37	Transport Protection ECO-Block	1052433	1	Part of make up

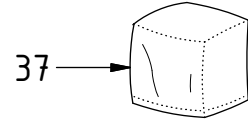


QS80
DC2 Option 2bl.



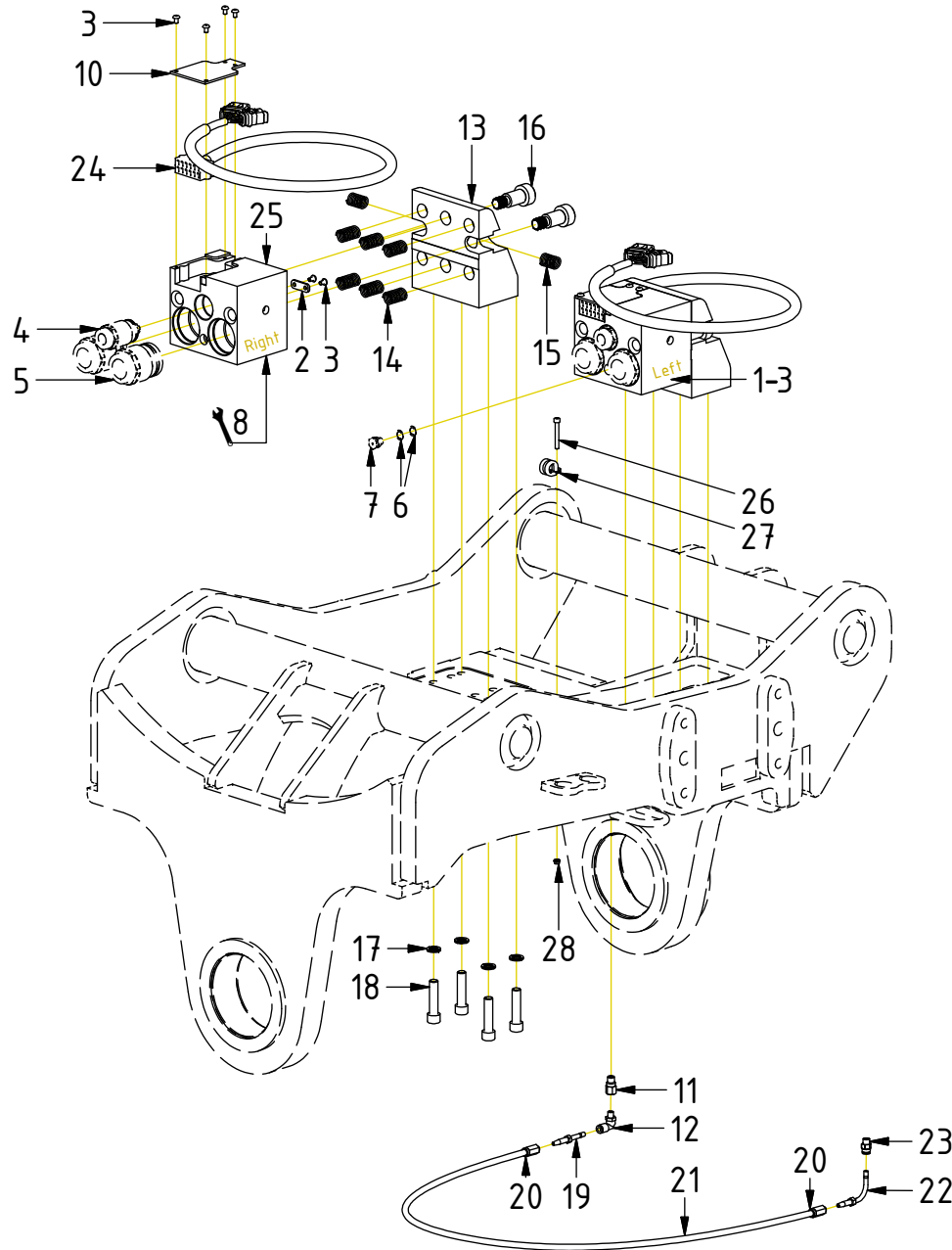
POS	DESCRIPTION	PART	QTY	COMMENTS
1	Block ECO80W Top 3hy.1cl. Compl. V2	1074035	1	(POS.4-7 incl.)
2	Cable clamp	1074897	2	
3	Screw K6S M5x8 10.9 FZB	611801	6	
4	Coupling ECO W 1/2" male	1027633	1	Torque: 60Nm
5	Coupling ECO W 1" male	1043099	2	Torque: 60Nm
6	Washer Copper 14x10	6000065	2	
7	Button head fitting 1/8" stainless	810505	1	Loxeal 58-12. Torque: 30Nm
8	Adapters according to Top part			See "Top part"
10	Coverplate ECO70/80 W Top	1042239	1	
11	Extender M8x1-M8x1 18mm	7000688	1	Loxeal 58-12
12	Push-in swivel 90° M8x1	790173	1	Loxeal 58-12
13	Attachment block ECO80 W Top	1043644	1	
14	Spring 18x35	1024794	6	
15	Spring	6000125	2	
16	Shoulder bolt \varnothing 20x30/M16	611710	2	Loxeal 83-52
17	Washer NL 12mm	611042	4	
18	Screw MC6S M12x50 12.9	610478	4	Torque: 136Nm
19	Pipe stub straight Push-in	790175	1	
20	Screw socket HT-hose	7000585	2	
21	Grease hose bulk 100m	7001303	1	EC233: 1300mm. Top bracket: 2000mm
22	Pipe stub 90° Push-in	790181	1	
23	Push-in R1/8"	790172	1	Loxeal 58-12
24	Power plug ECO W Top (12S, 6S)	8001211	1	Cable gland torque: 6Nm
25	Block ECO80W Top 3hy. Compl. V2	1076522	1	(POS.4-5 incl.)
26	Screw MC6S M5x40 12.9	610405	1	
27	Rubber steel clamp \varnothing 16	6000009	1	
28	Lock Nut M6M M5x0,8 8,8 FZB	610920	1	
37	Transport Protection ECO-Block	1052433	1	Part of make up

POS in order of assembly



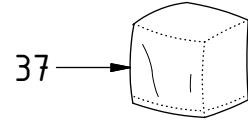
QS80

ss9 & ss10 (SVAB)



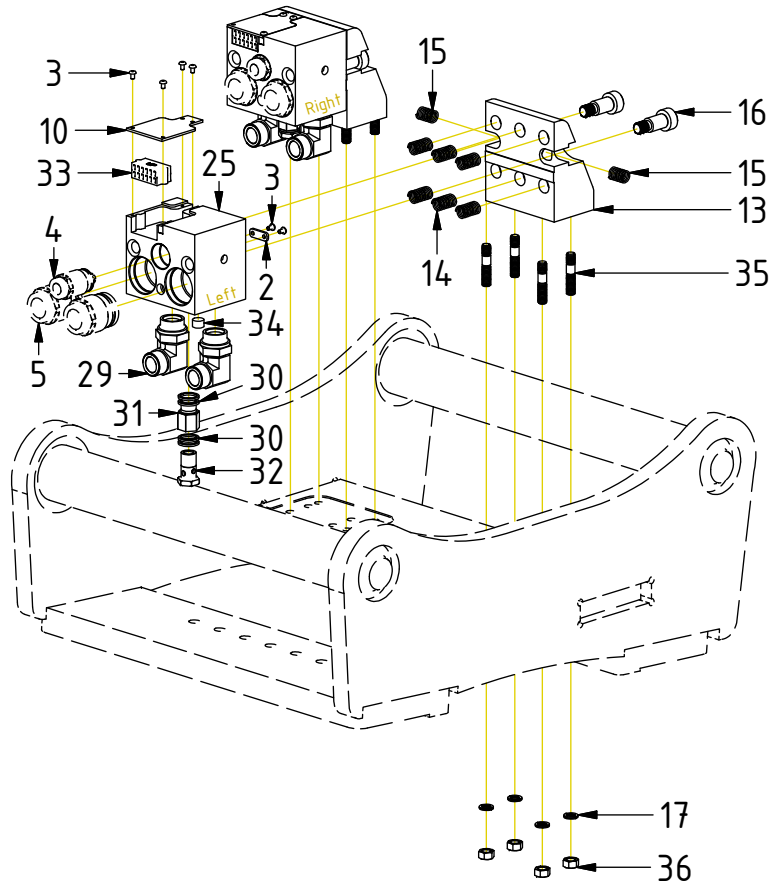
POS	DESCRIPTION	PART	QTY	COMMENTS
1	Block ECO80W Top 3hy.1cl. Compl. V2	1074035	1	(POS.4-7 incl.)
2	Cable clamp	1074897	2	
3	Screw K6S M5x8 10.9 FZB	611801	6	
4	Coupling ECO W 1/2" male	1027633	1	Torque: 60Nm
5	Coupling ECO W 1" male	1043099	2	Torque: 60Nm
6	Washer Copper 14x10	6000065	2	
7	Button head fitting 1/8" stainless	810505	1	Loxeal 58-12. Torque: 30Nm
8	Adapters according to Top part			See "Top part"
10	Coverplate ECO70/80 W Top	1042239	1	
11	Extender M8x1-M8x1 18mm	7000688	1	Loxeal 58-12
12	Push-in swivel 90° M8x1	790173	1	Loxeal 58-12
13	Attachment block ECO80 W Top	1043644	1	
14	Spring 18x35	1024794	6	
15	Spring	6000125	2	
16	Shoulder bolt \varnothing 20x30/M16	611710	2	Loxeal 83-52
17	Washer NL 12mm	611042	4	
18	Screw MC6S M12x50 12.9	610478	4	Torque: 136Nm
19	Pipe stub straight Push-in	790175	1	
20	Screw socket HT-hose	7000585	2	
21	Grease hose bulk 100m	7001303	1	EC233: 1300mm. Top bracket: 2000mm
22	Pipe stub 90° Push-in	790181	1	
23	Push-in R1/8"	790172	1	Loxeal 58-12
24	Power plug ECO W Top (12S, 6S)	8001211	1	Cable gland torque: 6Nm
25	Block ECO80W Top 3hy. Compl. V2	1076522	1	(POS.4-5 incl.)
26	Screw MC6S M5x40 12.9	610405	1	
27	Rubber steel clamp \varnothing 16	6000009	1	
28	Lock Nut M6M M5x0,8 8,8 FZB	610920	1	
37	Transport Protection ECO-Block	1052433	1	Part of make up

POS in order of assembly



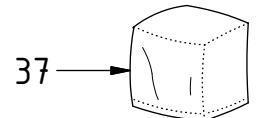
Top bracket QS80

Modular config.



POS	DESCRIPTION	PART	QTY	COMMENTS
2	Cable clamp	1074897	2	
3	Screw K6S M5x8 10.9 FZB	611801	6	
4	Coupling ECO W 1/2" male	1027633	1	Torque: 60Nm
5	Coupling ECO W 1" male	1043099	2	Torque: 60Nm
10	Coverplate ECO70/80 W Top	1042239	1	
13	Attachment block ECO80 W Top	1043644	1	
14	Spring 18x35	1024794	6	
15	Spring	6000125	2	
16	Shoulder bolt $\varnothing 20 \times 30 / M16$	611710	2	Loxeal 83-52
17	Washer NL 12mm	611042	4	
24	Power plug ECO W Top (12S, 6S)	8001211	1	Cable gland torque: 6Nm
25	Block ECO80W Top 3hy. Compl. V2	1076522	1	(POS.4-5 incl.)
29	Adapter 067005-16-16	7001427	4	
30	Washer GBR08 1/2	710704	4	
31	Adapter 236-08-08	710132	1	
32	Banjo bolt 4451-08 (1/2")	710274	1	
33	Plug ECO W - Top	1042918	1	
34	Pipe plug DIN 906 M16x1,5	711529	1	Used with POS.33
35	Stud bolt M12x45	611186	4	
36	Hex. Nut M12	611103	4	Torque: 115Nm
37	Transport Protection ECO-Block	1052433	1	Part of make up

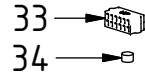
POS in order of assembly



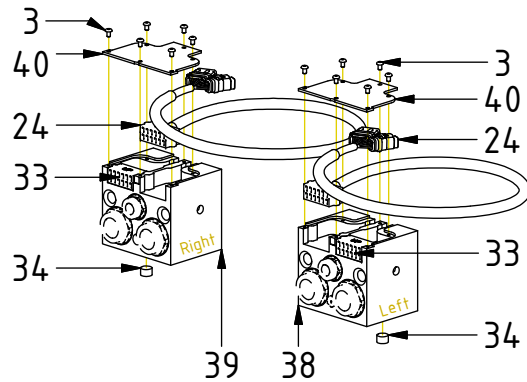
SPARE PARTS

POS	DESCRIPTION	PART	QTY	COMMENTS
1	Block ECO80W Top 3hy.1cl. Compl. V2	1074035	1	(POS.4-7 incl.)
3	Screw K6S M5x8 10.9 FZB	611801	6	
4	Coupling ECO W 1/2" male	1027633	1	Torque: 60Nm
5	Coupling ECO W 1" male	1043099	2	Torque: 60Nm
6	Washer Copper 14x10	6000065	2	
7	Button head fitting 1/8" stainless	810505	1	Loxreal 58-12. Torque: 30Nm
10	Coverplate ECO70/80 W Top	1042239	1	
11	Extender M8x1-M8x1 18mm	7000688	1	Loxreal 58-12
12	Push-in swivel 90° M8x1	790173	1	Loxreal 58-12
14	Spring 18x35	1024794	6	
15	Spring	6000125	2	
16	Shoulder bolt \varnothing 20x30/M16	611710	2	Loxreal 83-52
19	Pipe stub straight Push-in	790175	1	
20	Screw socket HT-hose	7000585	2	
21	Grease hose bulk 100m	7001303	1	EC233: 1300mm. Top bracket: 2000mm
22	Pipe stub 90° Push-in	790181	1	
23	Push-in R1/8"	790172	1	Loxreal 58-12
24	Power plug ECO W Top (12S, 6S)	8001211	1	Cable gland torque: 6Nm
25	Block ECO80W Top 3hy. Compl. V2	1076522	1	(POS.4-5 incl.)
33	Plug ECO W - Top	1042918	1	
34	Pipe plug DIN 906 M16x1,5	711529	1	Used with POS.33
38	Block ECO80W Top 3hy.1cl. Complete	1053061	1	Replaced by POS.1. (POS.4-7 incl.)
39	Block ECO80W Top 3hy. Complete	1051023	1	Replaced by POS.25. (POS.4-5 incl.)
40	Coverplate ECO80 W Top	1045174	1	Replaced by POS.10
41	Adapter 90° Push-in - M8x1	790184	1	Loxreal 58-12
42	Extender 25/17mm KR1/8"-R1/8"	7000578	1	Loxreal 58-12
43	Block ECO70W Top 2hy.1cl. Complete	1048031	1	(POS.6-7, 44 incl.)
44	Coupling ECO70 3/4" male	1029142	2	Torque: 60Nm
45	Attachment block ECO70 W Top	1042233	1	
46	Transport Protection ECO70-Block	1035200	1	Part of make up

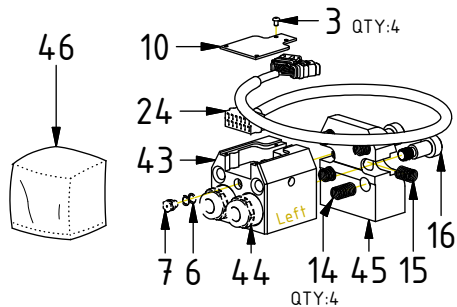
w/o el.



Blocks and placement until 2024-06:



ECO70 W as left block until 2022-12:



Top brackets:

