

Top ECO40 W COVERSHEET

Planned document changes:


Briefly:

No planned changes.

Document changes:

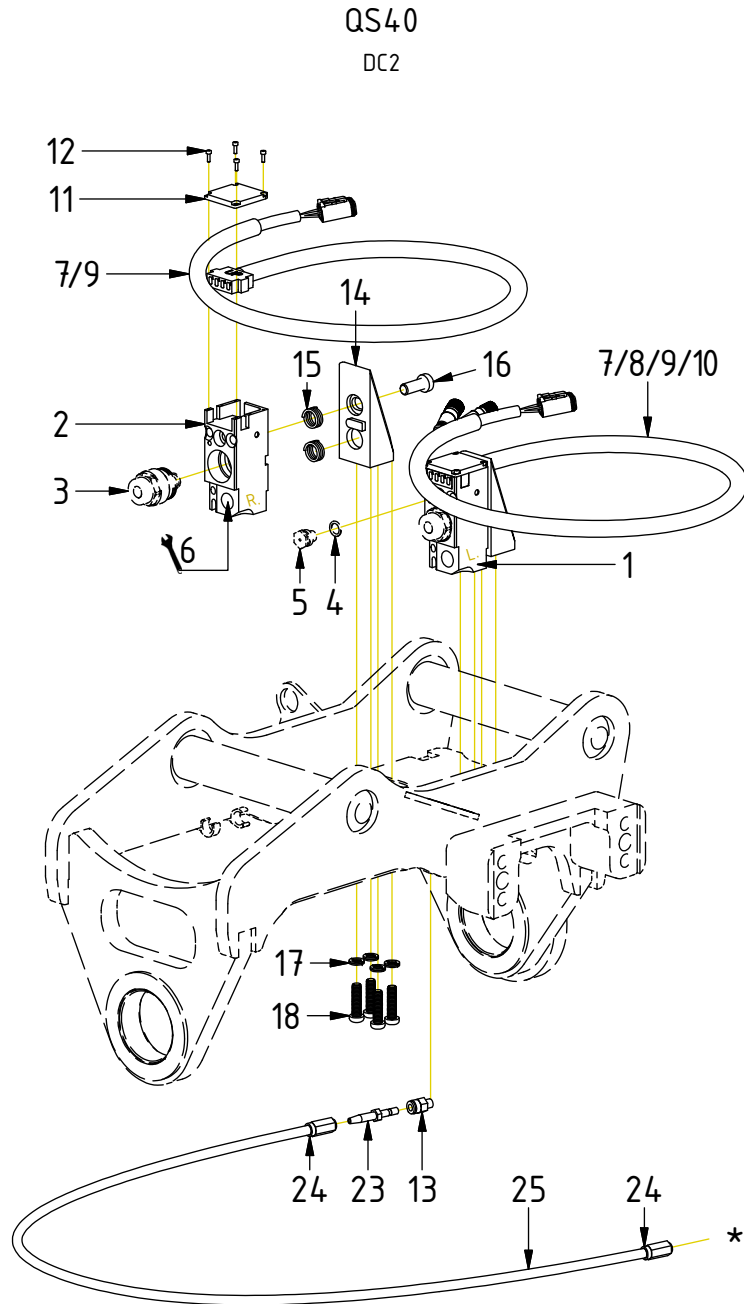
Date:	Change:	Rev. after change:
2025-02-26	Configs without ePS2 added.	F
2024-11-06	Powerplugs for EC204B added.	E
2023-08-22	Details for Top bracket corrected.	D
2023-03-15	Powerplugs for EC206B corrected.	C
2023-01-26	Block, attachment, and coverplate replaced.	B
2022-08-25	Torques added.	A
2021-10-25	New document.	-

Readers note:

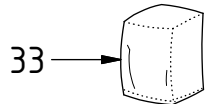
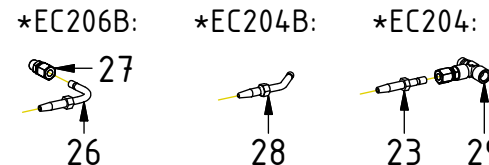
 Indicates instruction.

 Represents Hose.

Dashed lines for overview, mounts on other pages/assemblies.

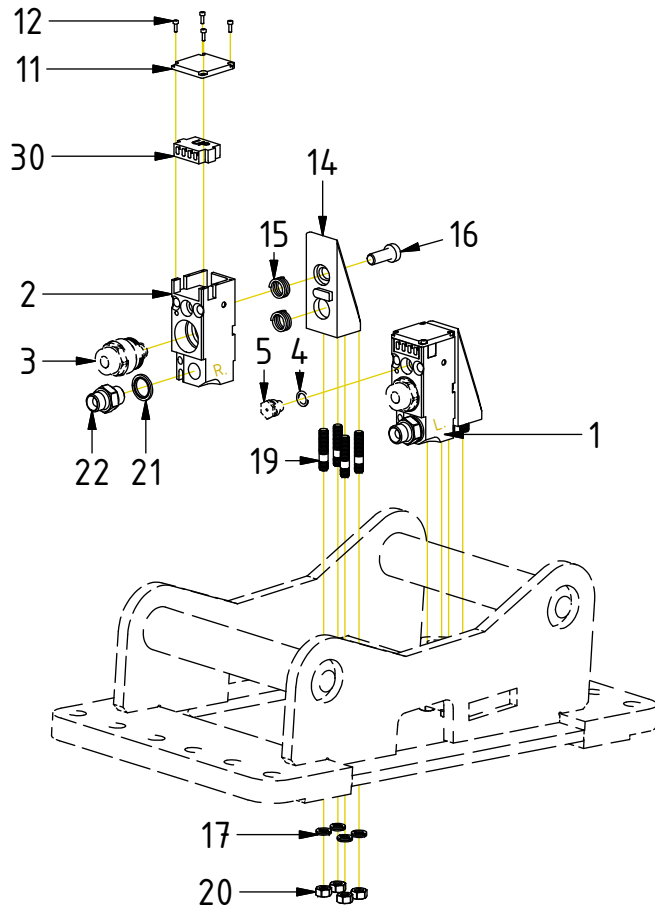


POS	DESCRIPTION	PART	QTY	COMMENTS
1	Block ECO40W Top 1hy.1cl. Complete	1069401	1	(POS.3-5 incl.)
2	Block ECO40W Top 1y. Complete	1069402	1	(POS.3 incl.)
3	Coupling ECO40 3/8" male	1028873	2	Torque: 60Nm
4	Washer Copper 14x10	6000065	1	
5	Button head fitting 1/8" stainless	810505	1	Loxéal 58-12. Torque: 30Nm
6	Adapters according to Top part			See "Top part"
7	Power Plug ECO40W 204B	8002288	2	QTY: 1 for EC204B ePS2 (R.)
8	Power Plug ECO40W w. 2x M12 204B	8002454	1	For EC204B ePS2 (L.)
9	Power Plug ECO40W EC206B/EC206/EC204/Top bracket	1057841	2	QTY: 1 for EC206B ePS2 (R.)
10	Power Plug ECO40W w. 2x M12 206B	8001885	1	For EC206B ePS2 (L.)
11	Coverplate ECO40 W Top V2	1069398	2	
12	Screw MC6S M2,5x8 8,8 FZB	6000325	8	
13	Straight Push-in M8x1	790185	1	Loxéal 83-52
14	Attachment block ECO40 W Top V2	1069400	2	
15	Spring Dy18 Dt2 L015 Lst max8,5	6000324	4	
16	Screw MLC6S M10x25 8,8 FZB	6000323	2	Loxéal 83-52
17	Washer NL 8mm	611040	8	
18	Screw TX45 M8x30 FZB 10,9	612201	8	Torque: 34Nm
23	Pipe stub straight Push-in 20mm	7001521	2	
24	Screw socket HT-hose	7000585	2	
25	Grease hose bulk 100m	7001303	1	EC206B: 1030mm. EC204B: 420mm. EC204: 380mm
26	Pipe stub 90° Push-in	7000318	1	
27	Adapter coupl. R1/8" w. cutting ring	7001721	1	(Replaces the plug on motor block)
28	Push-In Tube sleeve 45° Push-In	7001980	1	
29	L-adapter S2070 1/8-1/8	7001309	1	
33	Transport Protection ECO-Block	1062517	1	Part of make up

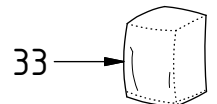
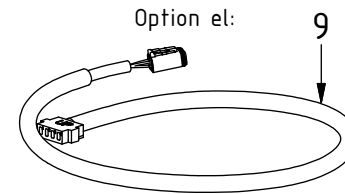


POS in order of assembly

Top bracket QS40 Modular config.



POS	DESCRIPTION	PART	QTY	COMMENTS
1	Block ECO40W Top 1hy.1cl. Complete	1069401	1	(POS.3-5 incl.)
2	Block ECO40W Top 1y. Complete	1069402	1	(POS.3 incl.)
3	Coupling ECO40 3/8" male	1028873	2	Torque: 60Nm
4	Washer Copper 14x10	6000065	1	
5	Button head fitting 1/8" stainless	810505	1	Loxéal 58-12. Torque: 30Nm
9	Power Plug ECO40W EC206B/EC206/EC204/Top bracket	1057841	2	QTY: 1 for EC206B ePS2 (R.)
11	Coverplate ECO40 W Top V2	1069398	2	
12	Screw MC6S M2,5x8 8,8 FZB	6000325	8	
14	Attachment block ECO40 W Top V2	1069400	2	
15	Spring Dy18 Dt2 L015 Lst max8,5	6000324	4	
16	Screw MLC6S M10x25 8,8 FZB	6000323	2	Loxéal 83-52
17	Washer NL 8mm	611040	8	
19	Stud bolt 8x30	611185	8	Loxéal 83-52
20	Nut steel m8	611187	8	
21	Washer GBR06 3/8	710703	2	
22	Adapter 136-06-06 (3/8")	710106	2	
28	Push-In Tube sleeve 45° Push-In	7001980	1	
30	Plug ECO40 W - Top	1063916	2	
33	Transport Protection ECO-Block	1062517	1	Part of make up



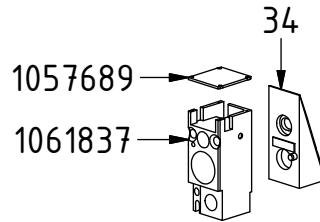
POS in order of assembly

SPARE PARTS

POS	DESCRIPTION	PART	QTY	COMMENTS
11	Coverplate ECO40 W Top V2	1069398	2	
13	Straight Push-in M8x1	790185	1	Loxeal 83-52
14	Attachment block ECO40 W Top V2	1069400	2	
23	Pipe stub straight Push-in 20mm	7001521	2	
24	Screw socket HT-hose	7000585	2	
26	Pipe stub 90° Push-in	7000318	1	
29	L-adapter S2070 1/8-1/8	7001309	1	
31	Protection plug ECO40 Top	7000152	2	
32	Plug 70125-06 (3/8")	711504	2	
34	Attachment block ECO40 W Top	1061832	1	Replaced by POS.14 from 2022-11
35	Grease hose bulk 100m	7001303	1	EC206: 1100mm. Top bracket: 2000mm
36	Adapter 90° Push-in - swivel	790184	1	

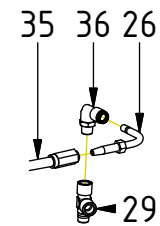
POS in order of assembly

Replaced from 2022-11



Not compatible with current versions

EC206 (6-ch):



Top brackets:

w/o hyd.

